

HAAS  
+  
SOHN

# Engadin

**Equipment sheet**  
Fireplace stove

**GB**

# Introduction

**We thank you very much for purchasing our product!**

The description of the heating device will inform you in detail about the design, technical specification and operation of the heating device. We recommend you to acquaint yourselves closely with these data. In this way, you will avoid possible faults during the proper assembly and operation.

**You will find** detailed conditions of installation and operation in General Manual of Operation (included in the scope of the delivery).

## Notes in the text

GB



Of utmost importance there are the notes entitled **WARNING**. The notes entitled **WARNING** advise you on **serious danger of damage to the heating device or of an injury**.



The note entitled **Notice** advises you on possible damage to your heating device.



The note entitled **Important** calls your attention to the information important for the operation of your heating device.



The note itself calls your attention to the information important for the operation of your heating device in general.

# Contents

<b>1. Technická data</b> .....	1
1.1. Suitable fuel, stoking amount of fuel .....	1
<b>2. Technical description</b> .....	2
<b>3. Overview of spare parts</b> .....	3
3.1. Whole emplacement (version stone) .....	3
3.2. Whole emplacement (version metal sheet) .....	4
3.3. Detail A1 .....	6
3.4. Detail A2 .....	7
<b>4. Circuit diagram</b> .....	8



# 1. Technická data

	Block wood	
Achievable heat output (100%)	6,9 kW	
Nominal heat output	6,3 kW	
Energy efficiency	80 %	
Average concentration of CO at 13% O <sub>2</sub>	875 mg/Nm <sup>3</sup>	557 mg/MJ
Average concentration of dust at 13% O <sub>2</sub>	24 mg/Nm <sup>3</sup>	16 mg/MJ
Average concentration of NOx at 13% O <sub>2</sub>	120 mg/Nm <sup>3</sup>	82 mg/MJ
Average concentration of OGC at 13% O <sub>2</sub>	67 mg/Nm <sup>3</sup>	41 mg/MJ
Amount of combustion products at nominal output	5,8 g/s	
Temperature of combustion products in the smoke flue neck	327 °C	
Minimum draft of the chimney at nominal heat output	12 Pa	

## 1.1. Suitable fuel, stoking amount of fuel

Fuel:	Max. stoking amount of fuel
Block wood:	2 logs (max. 1,5 kg)
Length of wood logs:	Max. 33 cm
Saw-dust briquettes (DIN51731):	—
Lignite briquette:	—



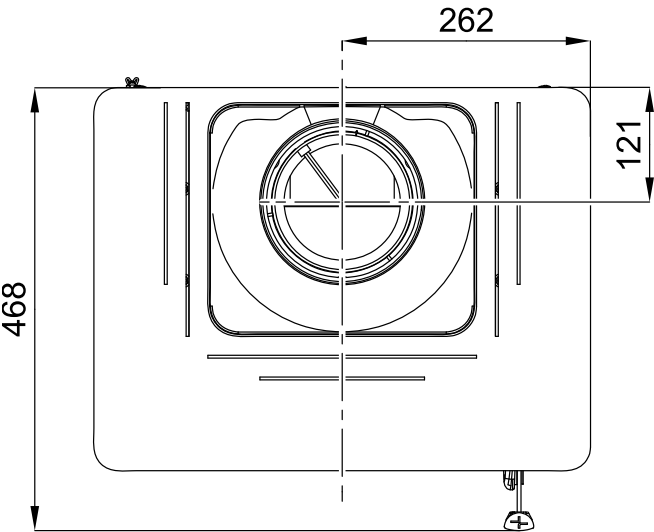
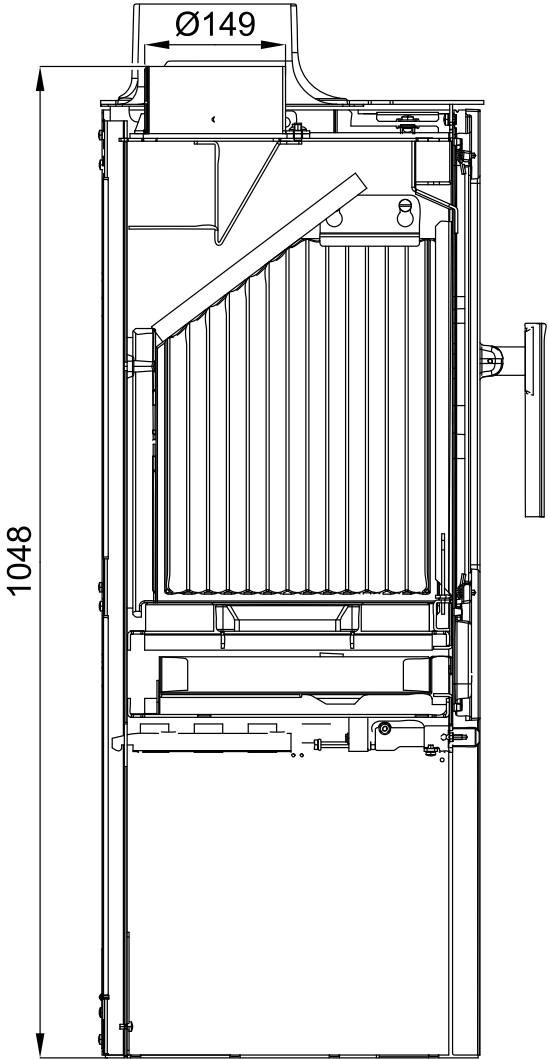
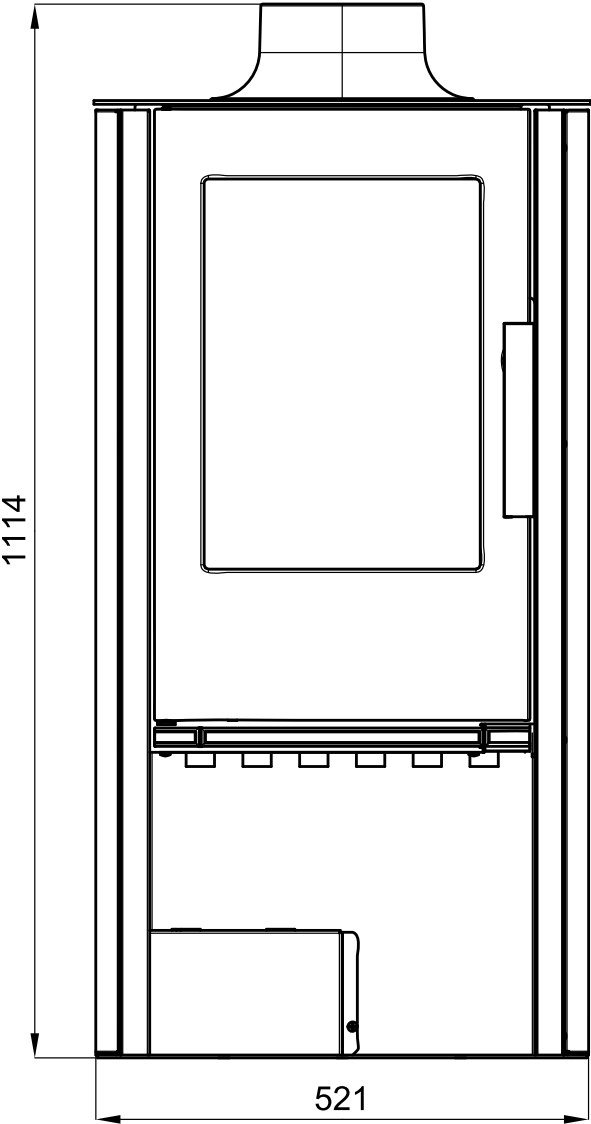
### Note

When heating with wood stock, employ solely the types of wood which have been stored for two years and their residual humidity is at most 17 %.

# 2. Technical description

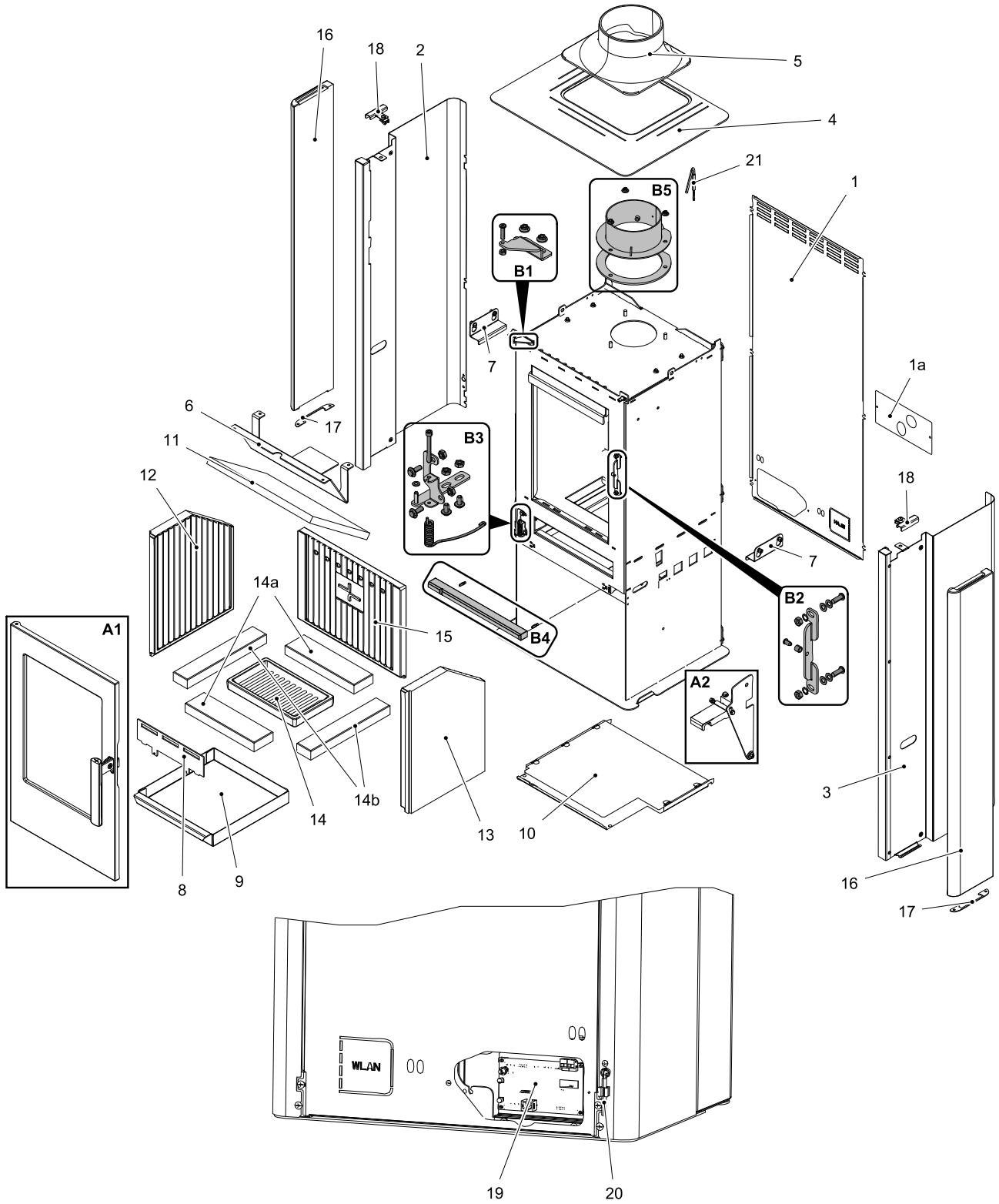
Technical description

GB

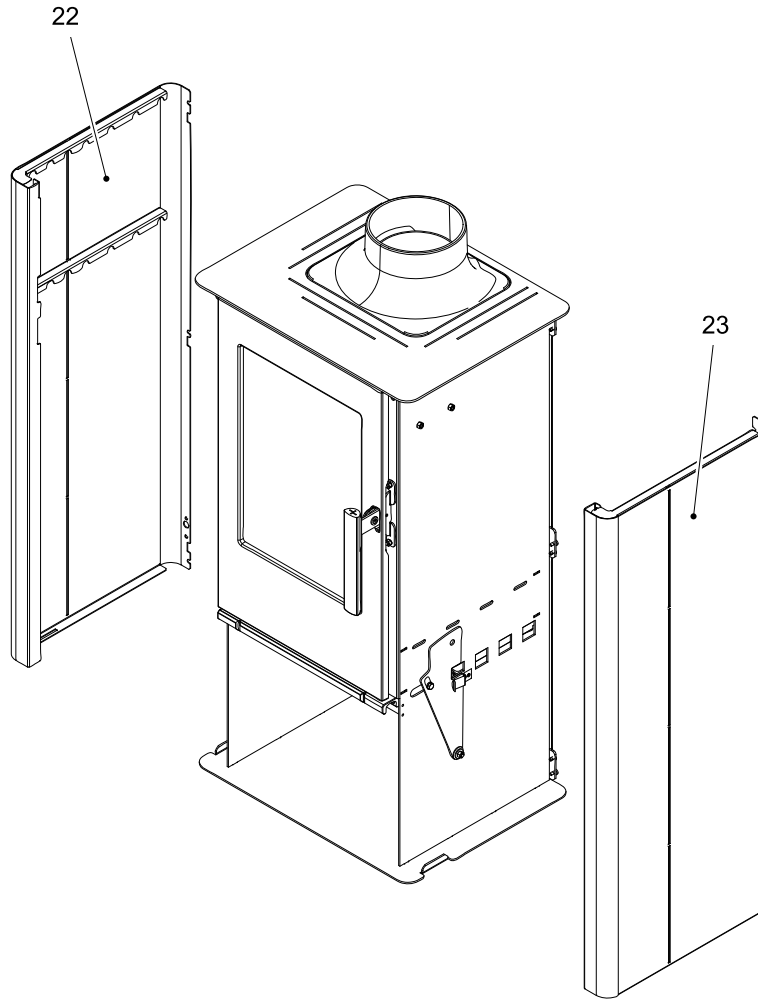


# 3. Overview of spare parts

## 3.1. Whole emplacement (version stone)



### 3.2. Whole emplacement (version metal sheet)



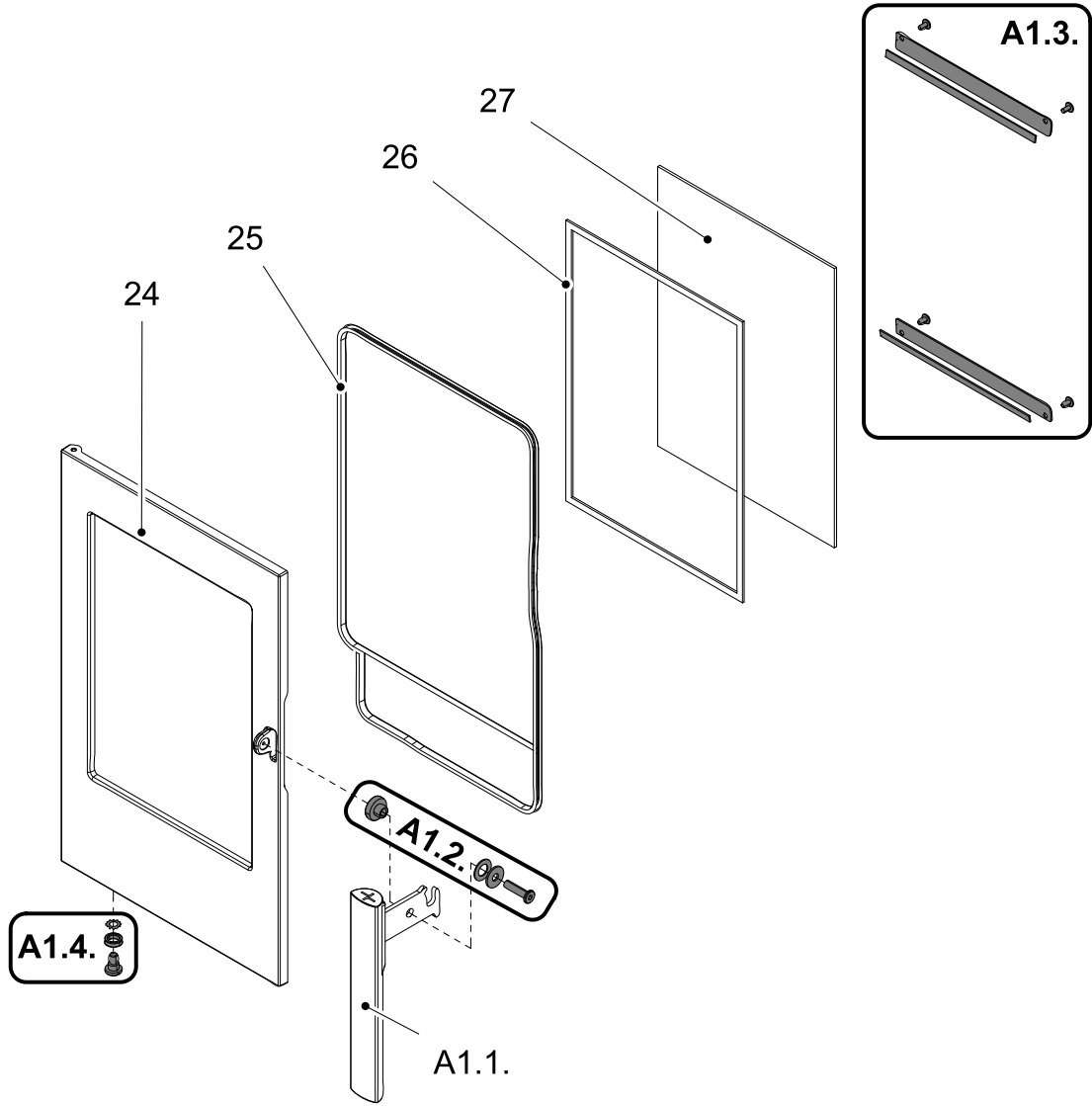
**GB**

Item	Name	pcs	Spare part number
<b>Whole emplacement</b>			
<b>A1</b>	Fire-box door (complete)	1 piece	0328315005350
<b>A2</b>	Controller (complete)	1 piece	0328315006560
<b>B1</b>	Upper door suspension (complete)	1 piece	0328315005382
<b>B2</b>	Door lock (complete)	1 piece	0328315005375
<b>B3</b>	Lower door suspension (complete)	1 piece	0328315005390
<b>B4</b>	Molding	1 piece	0328315006171
<b>B5</b>	Smoke outlet 150	1 piece	0328315005850
<b>B5</b>	Smoke outlet 130	1 piece	0328315005830
<b>1</b>	Rear cover	1 piece	0328315096108
<b>1a</b>	Cover	1 piece	0328315096109
<b>2</b>	Side cover left	1 piece	0328315016210
<b>3</b>	Side cover right	1 piece	0328315016200
<b>4</b>	Cover plate	1 piece	0328315006150



<b>5</b>	Smoke tube panel	1 piece	0328315006123
<b>6</b>	Upper lip	1 piece	0328315005040
<b>7</b>	Holder of the fire-clay	2 piece	0328315005581
<b>8</b>	Protection	1 piece	0328315005021
<b>9</b>	Ash pan	1 piece	0328315005600
<b>10</b>	Barrier	1 piece	0328315005080
<b>11</b>	Lower lip 20x390x270	1 piece	0328315005521
<b>12</b>	Combustion chamber cladding left 30x300x415	1 piece	0328315005503
<b>13</b>	Combustion chamber cladding right 30x300x415	1 piece	0328315005502
<b>14</b>	Grate	1 piece	0002020225000
<b>14a</b>	Fire-clay front, back	2 piece	0328315005544
<b>14b</b>	Fire-clay left, right	2 piece	0328315005545
<b>15</b>	Combustion chamber cladding back 30x390x320	1 piece	0328315005501
<b>16</b>	Side stone/Soapstone	2 piece	0328315016221
<b>16</b>	Side stone/Woodstone	2 piece	0328315066221
<b>17</b>	Underplate	2 piece	0328315016273
<b>18</b>	Holding clip	2 piece	0328315016272
<b>19</b>	Control unit	1 piece	0328315092500
<b>20</b>	Room temperature sensor	1 piece	0089500390005
<b>21</b>	Flue gas temperature sensor	1 piece	0424717005095
<b>22</b>	Side cover left	1 piece	0328315006190
<b>23</b>	Side cover right	1 piece	0328315006180
<b>—</b>	Network cabel	1 piece	0328315097512

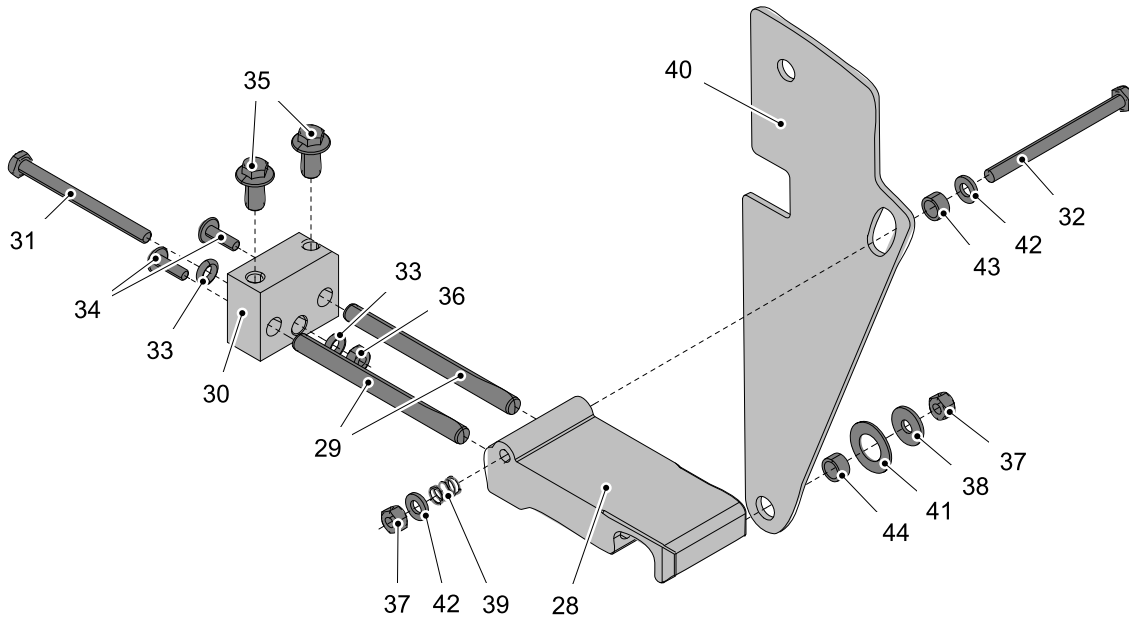
### 3.3. Detail A1



GB

Item	Name	pcs	Spare part number
<b>Detail A1</b>			
A1.1.	Hand pull with hand pull attachment	1 piece	0328315005370
A1.2.	Set of door screw coupling	1 piece	0328315005371
A1.3.	Set of glass holders	1 piece	0328315005311
A1.4.	Set of carrying screws	1 piece	0335015005319
24	Fire-box door	1 piece	0328315005392
25	Glass sealing 10x4 mm	1800 mm	0040210040005
26	Door glass (4x320x438)	1 piece	0329715005306
27	Sealing of the door 11 mm	2600 mm	0040300110005

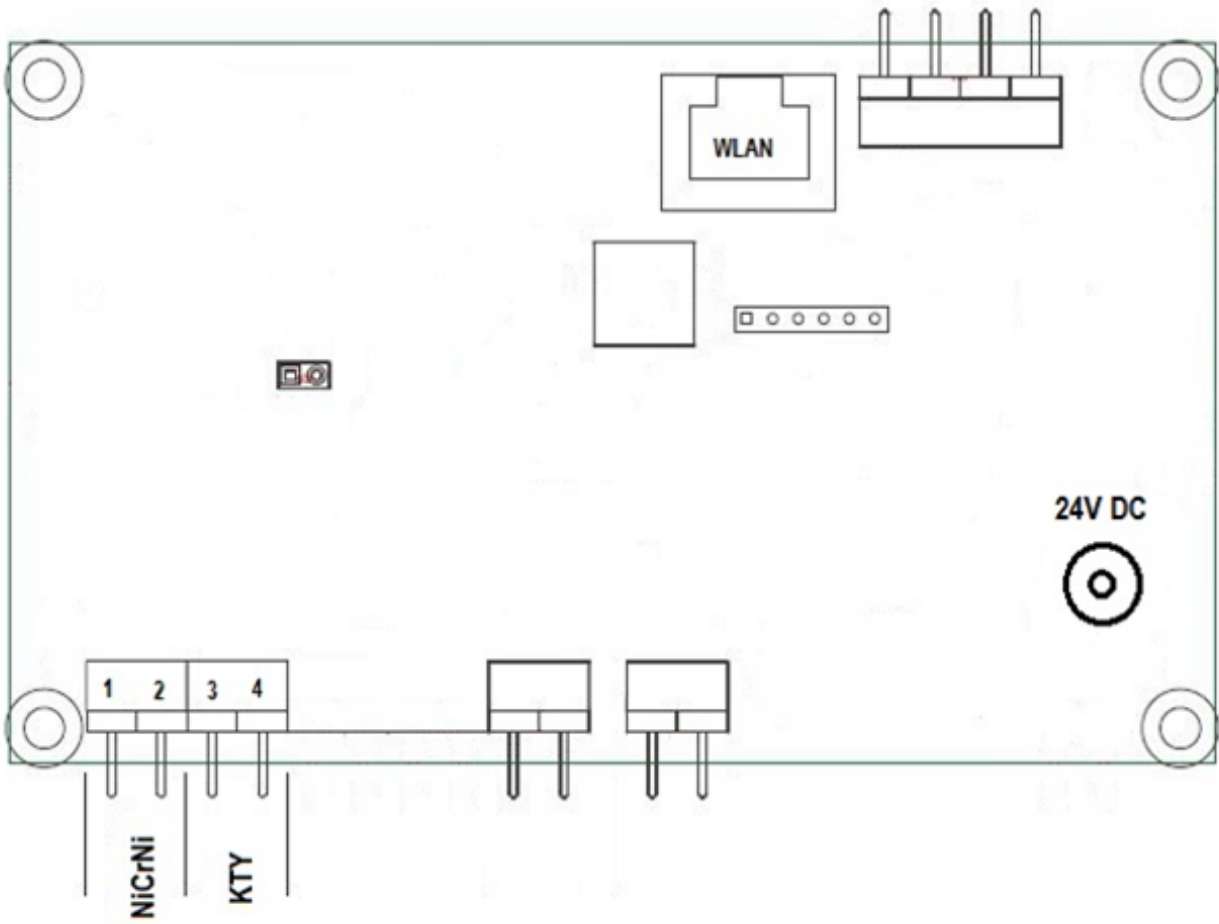
### 3.4. Detail A2



Item	Name	pcs
<b>Detail A2</b>		
28	Controller handle	1 piece
29	Cylinder tack M8x100 DIN7979	2 piece
30	Holder block	1 piece
31	Screw M6x75 DIN933	1 piece
32	Screw M6x80 DIN931	1 piece
33	O-Ring D6x3 FPM75	2 piece
34	Screw M5x16 DIN933	2 piece
35	Screw ecofix M8x16 DIN6921	2 piece
36	Nut M6 DIN934	1 piece
37	Nut M6 DIN980V	2 piece
38	Washer M6 DIN9021	1 piece
39	Compression spring D8,7x12	1 piece
40	Control sheet	1 piece
41	Washer M12 DIN137B	1 piece
42	Washer M6 DIN9021A	2 piece
43	Silicon sleeve	1 piece
44	Sleeve	1 piece

# 4. Circuit diagram

Circuit diagram



GB

Flue gas temperature sensor:	1 green
	2 white
Room temperature sensor:	3 black
	4 white
24V DC:	Network cable