



0332015101400-

HAAS+SOHN

TECHNICAL DOCUMENTATION Treviso

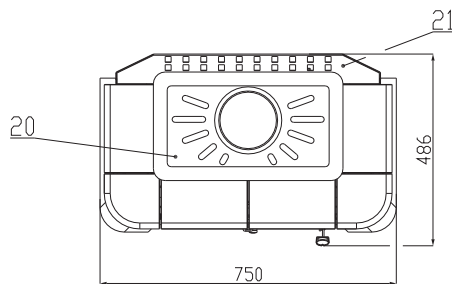
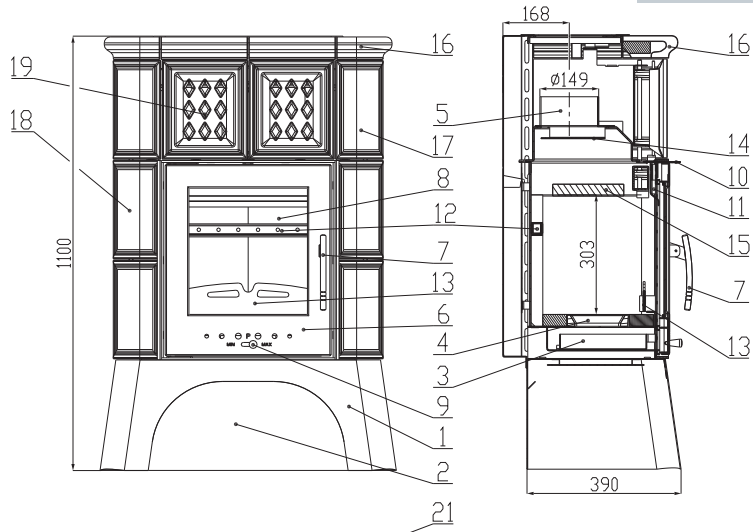




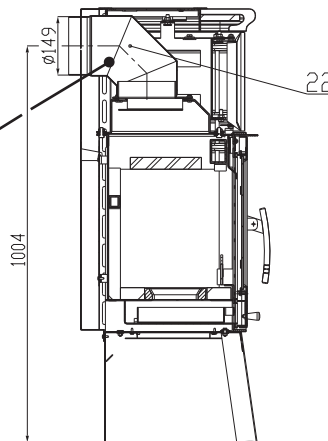
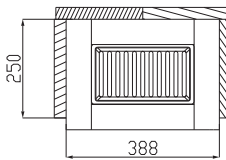
0332015101400-

HAAS+SOHN

TECHNICAL SHEET
of the fireplace stove
Treviso



Dimensions of the fire box



The elbow of flue gas installation is not included in the delivery (for assembling instructions see p. 3)

Suitable fuel:

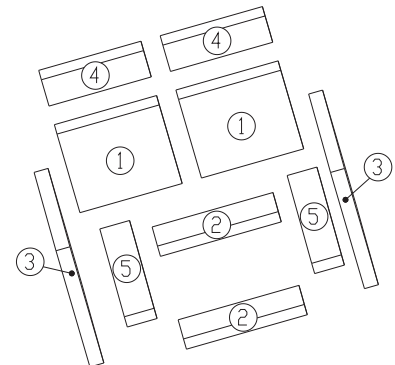
As concerns suitable fuel to be employed, see the chapter **2.2 Fuel** in the General Manual of Operation.

Proper operation:

As concerns the proper and safe operation of the fireplace stove, see the chapters **2. Description of the combustion process** and **5. Operating instructions** in the General Manual of Operation.

Fire-clay No.	Dimension	Goods No.
1	30x220x230	0331415005501
2	30x61x260	0331415005502
3	30x250x330	0050100350005
4	30x70x220	0332015005505
5	30x63x278	0050101640005

Breakdown of fire-brick lining



TECHNICAL DESCRIPTION:					
Pos.	Name	Goods No.	Pos.	Name	Goods No.
1	Base	0332015006151	17	Fireplace tile – side - right/ivory	0332015056101
2	Fuel bunker	-	17	Fireplace tile – side - right/cappuccino	0332015066101
3	Ash pan	0433017005600	17	Fireplace tile – side - right/cream	0332015076101
4	Cast-iron grate	0020100130005	18	Fireplace tile – side - left/green	0332015106100
5	Smoke flue neck	-	18	Fireplace tile – side - left/brown	0332015026100
6	Fire-box door	0332015005300	18	Fireplace tile – side - left/honey cake	0332015036100
7	Lever lock of the fire-box door	0081010080005	18	Fireplace tile – side - left/ivory	0332015056100
8	Refractory glass	0332015005304	18	Fireplace tile – side - left/cappuccino	0332015066100
9	Controller of primary air	0082010030005	18	Fireplace tile – side - left/cream	0332015076100
10	Controller of secondary air	0332015005009	19	Front tiles/green	0332015006103
11	Intake of secondary air	-	19	Front tiles/brown	0332015026103
12	Tertiary air output	-	19	Front tiles/honey cake	0332015036103
13	Protection	0332015005008	19	Front tiles/ivory	0332015056103
14	Lip - fixed	-	19	Front tiles/cappuccino	0332015066103
15	Lip - loose (fire-clay)	0332015105701	19	Front tiles/cream	0332015076103
16	Upper mantelpiece/green	0332015006102	20	Top cover	0332015006155
16	Upper mantelpiece/brown	0332015026102	21	Rear cover	0332015006140
16	Upper mantelpiece/honey cake	0332015036102	22	Elbow of flue gas installation	0332015007065
16	Upper mantelpiece/ivory	0332015056102			
16	Upper mantelpiece/cappuccino	0332015066102		Sealing cord of the door 12 mm (2000 mm)	0041012120005
16	Upper mantelpiece/cream	0332015076102		Sealing cord of the glass 10 mm (1350 mm)	0040710100005
17	Fireplace tile – side - right/green	0332015006101		Packing cord of flue gas ducting 10x4 mm (1700 mm)	0040210040005
17	Fireplace tile – side - right/brown	0332015026101		Glass holder sealing rope 8x2 mm (580 mm)	0040208020006
17	Fireplace tile – side - right/honey cake	0332015036101		Sealing string for the upper cover 8x2 mm (1350 mm)	0040208020006



0332015101400-

HAAS+SOHN**TECHNICAL INFORMATION****INSTRUCTIONS FOR THE CONTROL OF COMBUSTION PROCESS:**

Fuel	Output of the heating device							
	100%	33%	100%	33%	100%	33%	100%	33%
	Amount of fuel		Primary air		Secondary air		Tertiary air	
Blockwood	2,4 kg/h	0,8 kg/h	closed	closed	open 80%	open 45%	non-controllable	
Ecological briquettes	2,3 kg/h	0,8 kg/h	open 10%	open 5%	open 80%	open 45%	non-controllable	
Coal briquettes	1,8 kg/h	0,6 kg/h	open 40%	open 20%	open 20%	open 10%	non-controllable	

TECHNICAL DATA:	Blockwood	Ecological briquettes	Coal briquettes		
Achieved heat output (100%)	8,1 kW	8,5 kW	8,2 kW	Height	1100 mm
Nominal heat output	8 kW	8 kW	8 kW	Width	750 mm
Reduced heat output (33%)	2,7 kW	2,8 kW	2,7 kW	Depth	486 mm
Maximum stoking amount of the fuel	2,4 kg/hod	2,3 kg/hod	1,5 kg/hod	Diameter of the smoke flue	150 mm
Average temperature of combustion products behind the smoke flue neck	334 °C	294 °C	345 °C	Weight	142 kg
Maximum mass flow of dry combustion products	6 g/s	6,9 g/s	5 g/s	Min. chimney stack draught in the smoke flue neck	12 Pa
Energy efficiency	80,3 %	80,2 %	82,2 %	Heating capacity (middle heat losses) at 8,5 kW	cca 149 m ³
Average concentration of CO ₂	11,6 %	10,3 %	12,4 %	Range of outputs	2,7 – 8,5 kW
Concentration of CO in combustion products at 13 % O ₂	732 mg/Nm ³	541 mg/Nm ³	827 mg/Nm ³		
Dust at 13% O ₂	18 mg/Nm ³	32 mg/Nm ³	35 mg/Nm ³		
Tested in compliance with EN 13 240:2002/A2:2005			CE		

SIZE SCHEME OF WOODBURNING STOVE WITH INSTALLATION OF ELBOW OF FLUE GAS INSTALLATION AND Ø150/250 PIPE DELIVERED AS SPECIAL ACCESSORIES

