

Technical sheet of the fireplace stove

Eboli/Empoli

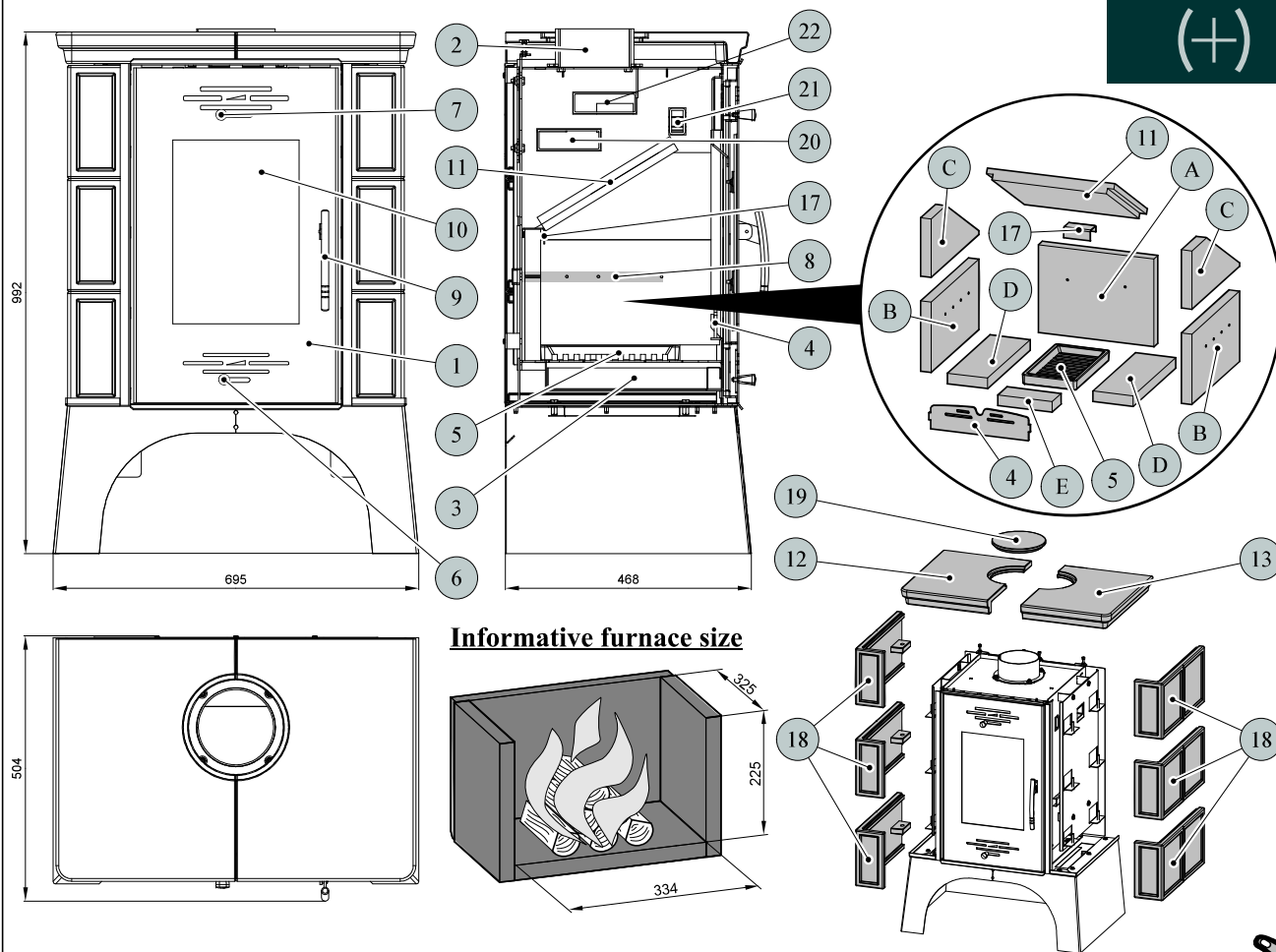


Suitable fuel:
As concerns suitable fuel to be employed, see the chapter **2.2 Fuel** in the General Manual of Operation.

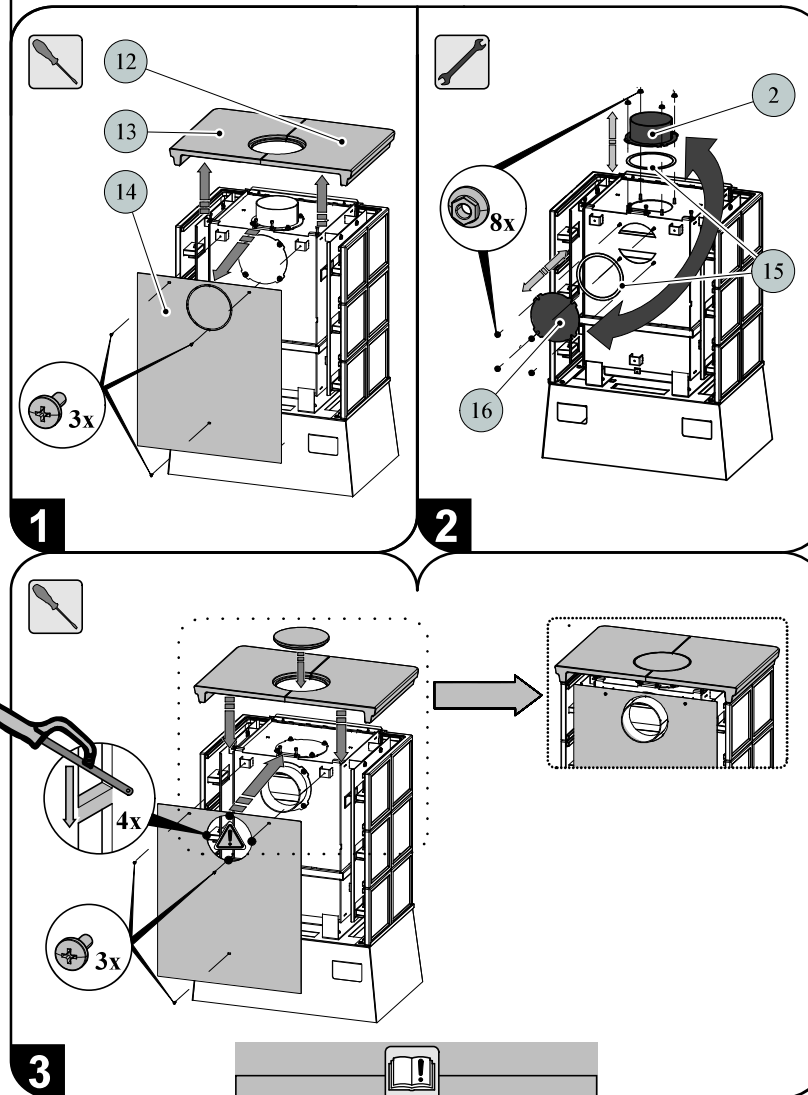
Proper operation:
As concerns the proper and safe operation of the fireplace stove, see the chapters **2. Description of the combustion process** and **5. Operating instructions** in the General Manual of Operation.

Fuel	Output of the heating device		Output of the heating device		Output of the heating device		Output of the heating device	
	100%	33%	100%	33%	100%	33%	100%	33%
	Amount of fuel		Primary air		Secondary air		Tertiary air	
Blockwood	2,4 kg/h	0,8 kg/h	closed	closed	open 20%	open 10%	Non-controllable	
Ecological briquettes	2,3 kg/h	0,8 kg/h	open 5%	open 5%	open 10%	open 5%	Non-controllable	
Coal briquettes	2 kg/h	0,7 kg/h	open 70%	open 25%	open 20%	open 10%	Non-controllable	

TECHNICAL DATA:	Blockwood	Ecological Briquettes	Coal briquettes	Weight	
	Achieved heat output (100%)	8 kW	8 kW		8,4 kW
Nominal heat output	8 kW	8 kW	8 kW	Width	695 mm
Reduced head output (33%)	2,6 kW	2,6 kW	2,8 kW	Depth	504 mm
Maximum stoking amount of the fuel	2,4 kg/hod	2,3 kg/hod	2 kg/hod	Diameter of the smoke flue	150 mm
Average temperature of combustion products behind the smoke flue neck	346 °C	335 °C	346 °C	Min. chimney stack draught in the smoke flue neck	12 Pa
Maximum mass flow of dry combustion products	7,5 g/s	7,1 g/s	8,1 g/s	Heating capacity (middle heat losses) at 10,2 kW	cca. 151 m³
Energy efficiency	76 %	76,4 %	76,7 %	Range of heat outputs	2,6 - 8,4 kW
Average concentration of CO ₂	9,25 %	9,74 %	8,54 %		
Concentration of CO in combustion products at 13% O ₂	0,06 %	0,29 %	0,05 %		
The amount of combustion air at nominal output	25 m³/h	22 m³/h	20 m³/h		
Testet in compliance with EN 13240:2002/A2:2005					



Exchange of smoke neck



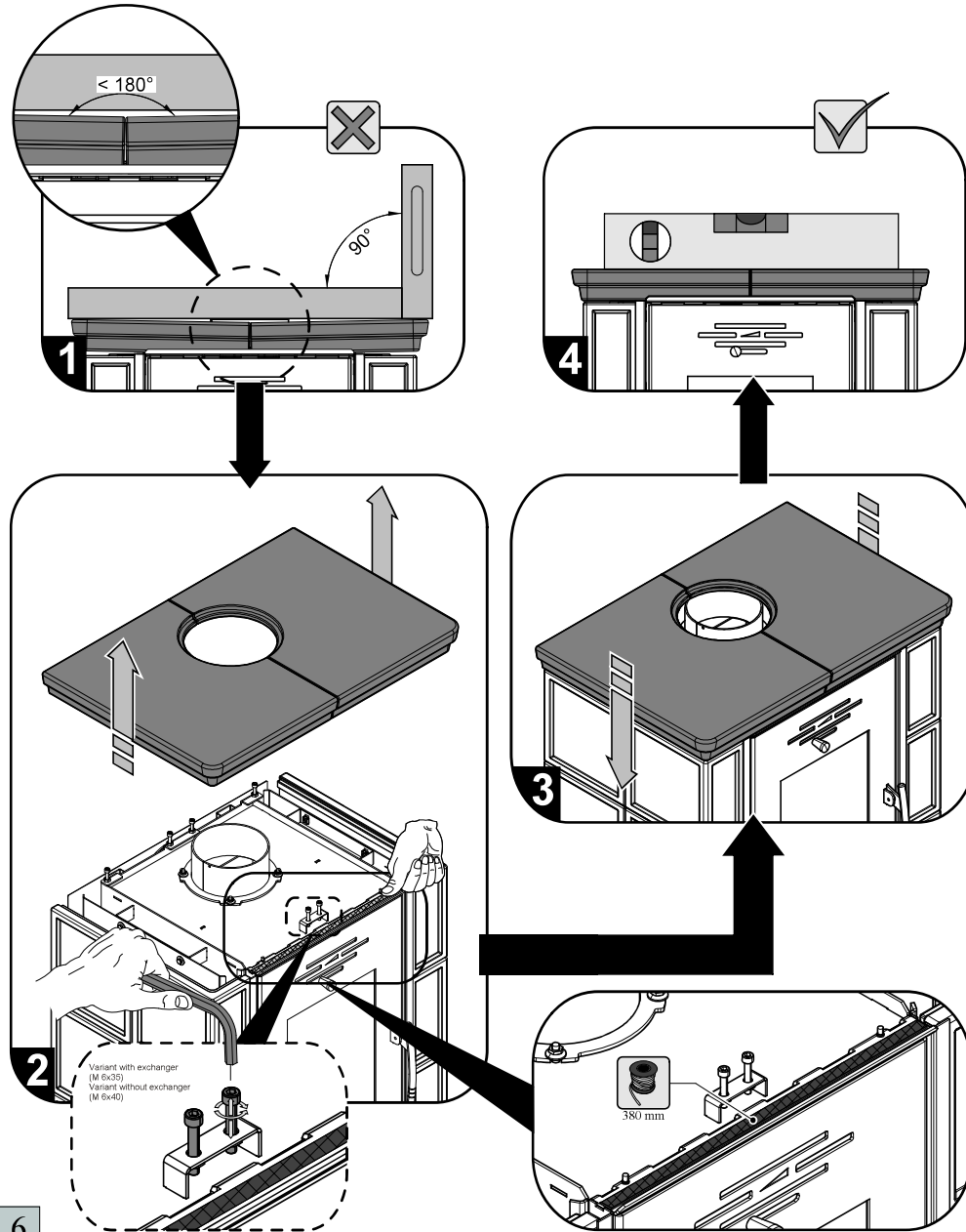
TECHNICAL DESCRIPTION:								
Pos.	Name	Goods No.	Pos.	Name	Goods No.	Pos.	Name	Goods No.
1	Fire-box door/black	0332215005300	13	Upper mantelpiece- right/ caramel (Eboli)	-	21	Middle lip-fixed	-
2	Smoke flue neck	0470315005007	13	Upper mantelpiece- right / brown (Eboli)	-	22	Upper lip- fixed	-
3	Ash Pan/black	0431915006030	13	Upper mantelpiece- right / green (Eboli)	-	A	Brick 30x330x250	0431915105501
4	Protection/black	0431915006040	14	Rear cover	0332215206110	B	Brick 30x370x200	0431915105504
5	Grate/black	0020100130005	15	Flue gas duct packing cord 10x4 mm	0040210040005	C	Brick 30x370x166	0431915105505
6	Controller of primary air/golden	0082010030005	16	Flue gas duct blind flange/black	0470315007002	D	Brick 30x330x115	0431915105502
7	Controller of secondary air/golden	0082010030005	17	Holder of the fire-clay/black	0424917007501	E	Brick 30x155x70	0431915105503
8	Tertiary air output	-	18	Fireplace tile-side/ bordeaux (Empoli)	0332215026101			
9	Lever lock of the fire-box door/golden	0081010080005	18	Fireplace tile-side / brown (Empoli)	0332215006101			
10	Refractory glass (260x370)	0332215005304	18	Fireplace tile-side / picasso (Empoli)	0332215036101			
11	Lip-loose(30x295x364)	0431915105701	18	Fireplace tile-side / green (Empoli)	0332215016101			
12	Upper mantelpiece - left / bordeaux (Empoli)	0332215026102	18	Fireplace tile-side / caramel (Eboli)	-			
12	Upper mantelpiece - left / brown (Empoli)	0332215006102	18	Fireplace tile-side / brown (Eboli)	-			
12	Upper mantelpiece - left / picasso (Empoli)	0332215036102	18	Fireplace tile-side / green (Eboli)	-			
12	Upper mantelpiece - left / zielony (Empoli)	0332215016102	19	Upper mantelpiece blind flange / bordeaux (Empoli)	0332215026103			
12	Upper mantelpiece - left / caramel (Eboli)	-	19	Upper mantelpiece blind flange / brown (Empoli)	0332215006103			
12	Upper mantelpiece - left / brown (Eboli)	-	19	Upper mantelpiece blind flange / picasso (Empoli)	0332215036103			
12	Upper mantelpiece - left / green (Eboli)	-	19	Upper mantelpiece blind flange / green (Empoli)	0332215016103			
13	Upper mantelpiece - right / bordeaux (Empoli)	0332215026105	19	Upper mantelpiece blind flange / caramel (Eboli)	-			
13	Upper mantelpiece - right / brown (Empoli)	0332215006105	19	Upper mantelpiece blind flange / brown (Eboli)	-			
13	Upper mantelpiece - right / picasso (Empoli)	0332215036105	19	Upper mantelpiece blind flange / green (Eboli)	-			
13	Upper mantelpiece - right / green (Empoli)	0332215016105	20	Upper lip-fixed	-			
							Scaling cord of the door 14 mm (2490 mm)	0040014140005
							Scaling cord of the glass 10x4 (1300 mm)	0040210040005
							Glass holder scaling rope 8x2 mm (100 mm)	0040208020005
							Flue gas duct packing cord 10x4 mm (960 mm)	0040210040005

Small inaccuracies of size, rectangularity and flatness of surfaces, small differences of colour tones and of glazing effects shall be understood as integral (natural) properties of this ceramic product. The occurrence of small hair-like cracks in glazing is allowed and they shall not be regarded as defects!

(+)

HAAS+SOHN

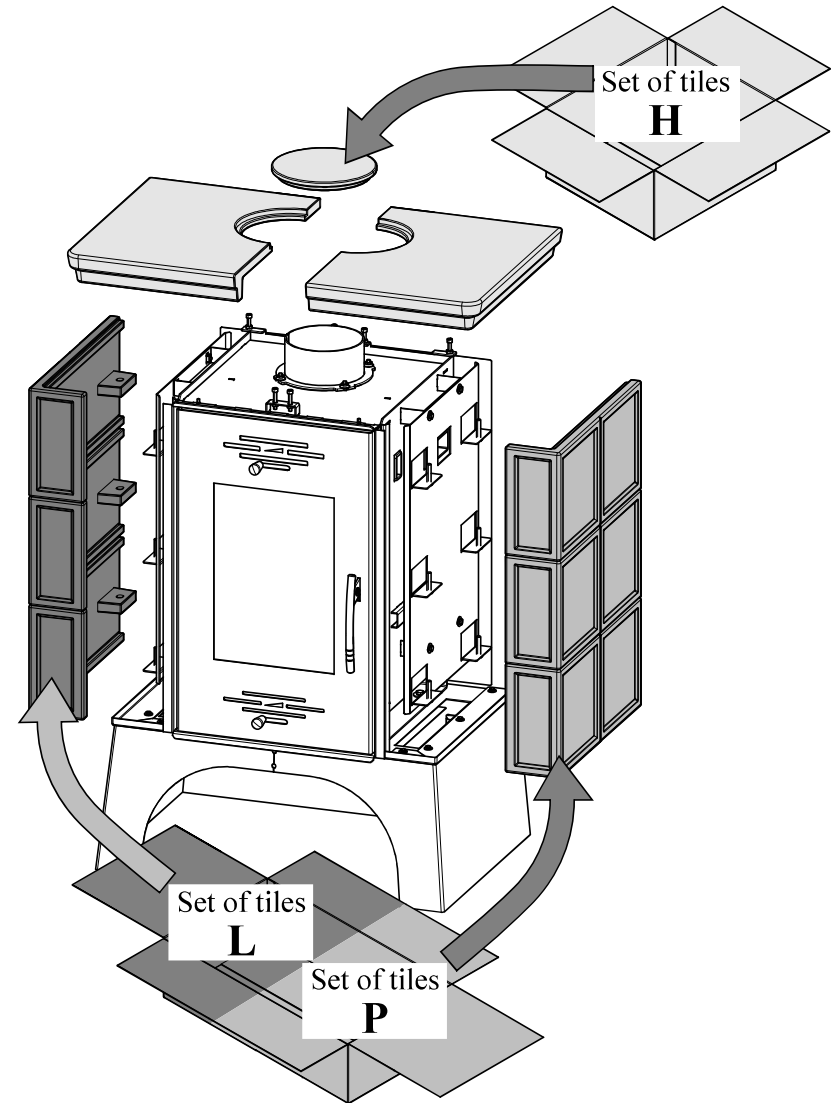
Installation of allocating cord



(+)

HAAS+SOHN

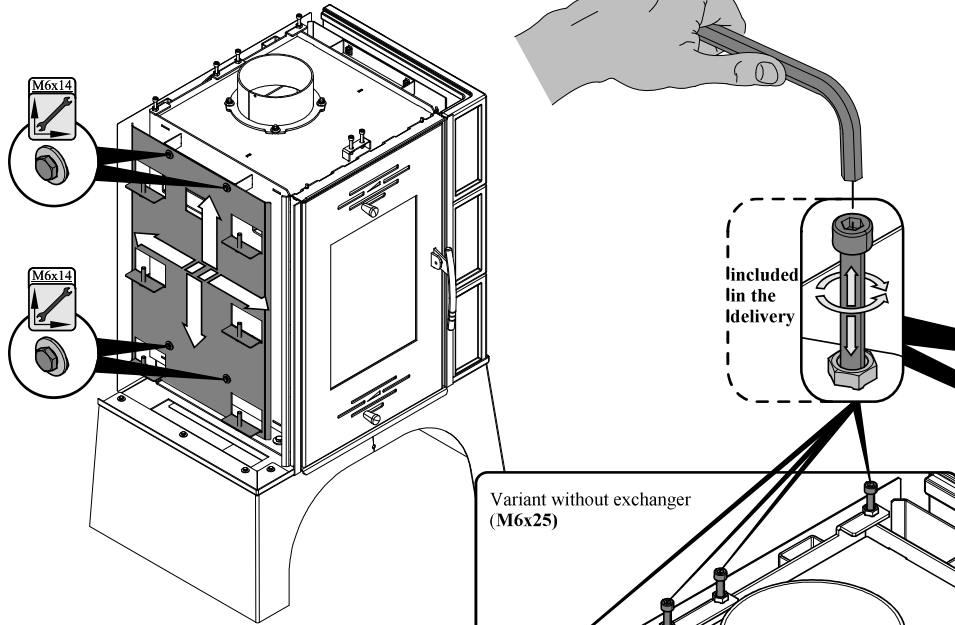
Fittings instructions for tiles



1



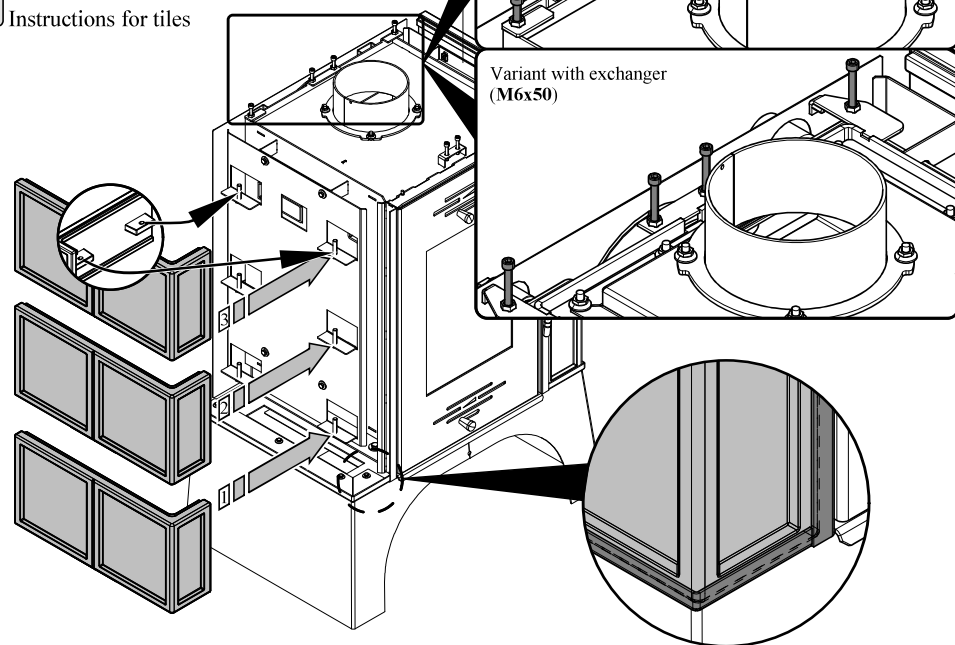
Re-adjustment of tile holder



2



Instructions for tiles



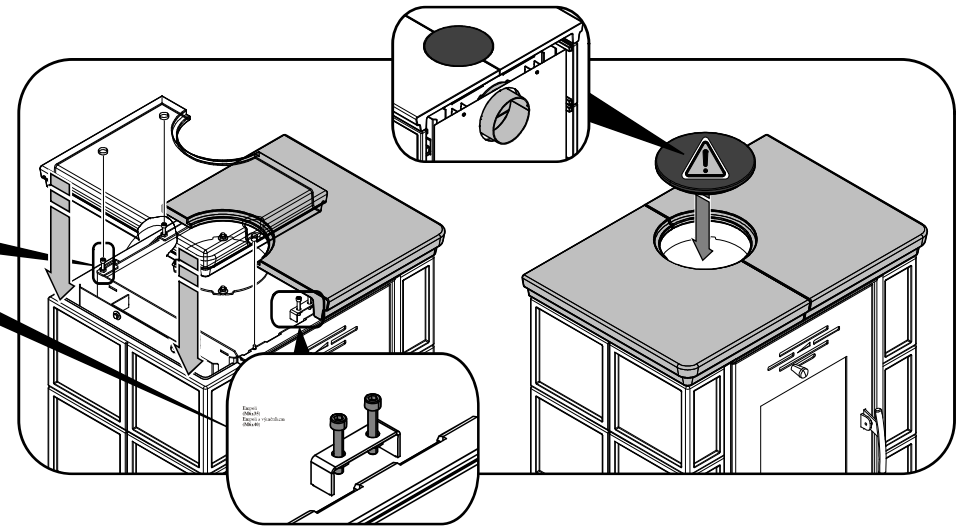
3

(+)

HAAS+SOHN



Installation of top tiles



4



Aligning the top tiles



5