

**HAAAS
+
SOHN**

Eboli AL II / Empoli AL II with exchanger

Equipment sheet
Fireplace stove with exchanger

GB

Introduction

We thank you very much for purchasing our product!

The description of the heating device will inform you in detail about the design, technical specification and operation of the heating device. We recommend you to acquaint yourselves closely with these data. In this way, you will avoid possible faults during the proper assembly and operation.

You will find detailed conditions of installation and operation in General Manual of Operation (included in the scope of the delivery).

Notes in the text

GB



Of utmost importance there are the notes entitled **WARNING**. The notes entitled **WARNING** advise you on **serious danger of damage to the heating device or of an injury**.



The note entitled **Notice** advises you on possible damage to your heating device.



The note entitled **Important** calls your attention to the information important for the operation of your heating device.



The note itself calls your attention to the information important for the operation of your heating device in general.

Contents

1. Technical specification	1
2. Technical description	2
3. Overview of spare parts	3
3.1. Whole emplacement.....	3
3.2. Detail A1	5
4. Dimensioned diagram	6
4.1. Knee-piece of exhaust of combustion products	6
4.2. Connection of the exchanger	7
5. Change of the smoke neck	8
6. Fitting instructions for tiles	9
7. Heat exchanger cleaning instructions	12
8. Included in the scope of delivery	15

1. Technical specification

Suitable fuels:

As concerns suitable fuel to be employed, see the chapter **2.2 Fuel** in the General Manual of Operation.

Správný provoz:

As concerns the proper and safe operation of the fireplace stove, see the chapters **2. Description of the combustion process** and **5. Operating instructions** in the General Manual of Operation.

Instructions for the control of combustion process

Fuel	Output of the heating device	Quantity of fuel	Primary air	Secondary air	Tertiary air
Block wood	100%	3,5 kg/hour	closed	open on 100%	not controllable
Block wood	33%	1,2 kg/hour	closed	open on 50%	not controllable
Eco-briquettes	100%	3,3 kg/hour	open on 10%	open on 100%	not controllable
Eco-briquettes	33%	1,1 kg/hour	open on 5%	open on 50%	not controllable
Coal briquettes	100%	2,3 kg/hour	open on 100%	open on 20%	not controllable
Coal briquettes	33%	0,8 kg/hour	open on 50%	open on 10%	not controllable

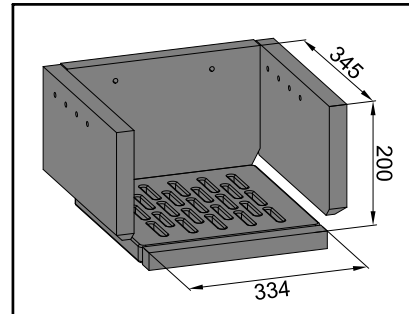
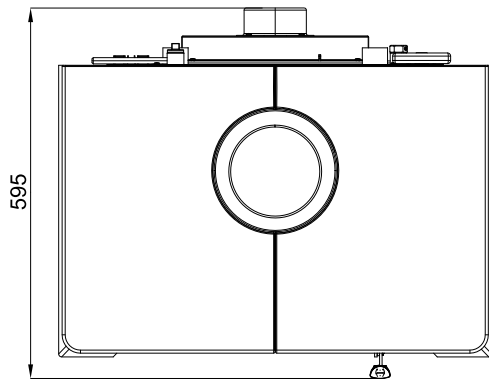
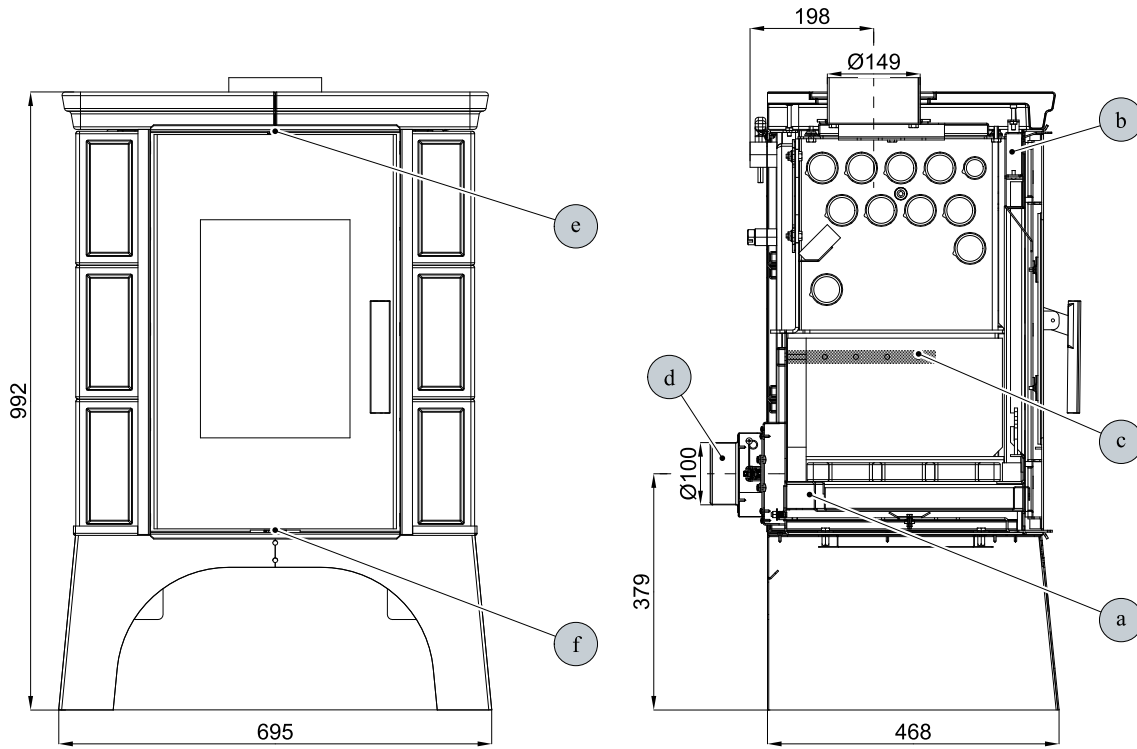
Technical data

	Block wood	Ecobriquettes	Coal briquettes
Achieved heat output (100%)	12,1 kW	12 kW	12,2 kW
Nominal heat output	12 kW	12 kW	12 kW
Reduced heat output (33%)	4 kW	4 kW	4 kW
Output delivered by the stove body only	3,6 kW	3,2 kW	4,3 kW
Output available for heating of water	8,5 kW	8,8 kW	7,9 kW
Maximum stoking amount of the fuel	3,5 kg/hour	3,3 kg/hour	2,3 kg/hour
Average temperature of combustion products behind the smoke flue neck	274 °C	299 °C	252 °C
Maximum mass flow of dry combustion products	9,3 g/s	10,3 g/s	12,1 g/s
Energy efficiency	82 %	80,1 %	80,2 %
Average concentration of CO ₂	10,7 %	9,9 %	7,6 %
Concentration of CO in combustion products at 13% O ₂	1136 mg/Nm ³	894 mg/Nm ³	1111 mg/Nm ³
Dust at 13% O ₂	25 mg/Nm ³	17 mg/Nm ³	27 mg/Nm ³
Amount of combustion air at nominal output	25 m ³ /h	35 m ³ /h	30 m ³ /h
Tested according to EN 13240			

Height	992 mm
Width	695 mm
Depth	595 mm
Weight	168 kg
Diameter of the smoke flue	150 mm
Maximum operating over-pressure of the exchanger	0,2 MPa
Water contents of the exchanger	14 l
Recommended heat gradient (t _{output} – t _{input})	75 – 60 °C
Minimum draft in the smoke flue neck	12 Pa
Heating capacity (middle heat losses) at 12,2 kW	cca 220 m ³
Controllable output	4 – 12,2 kW

2. Technical description

Technical description

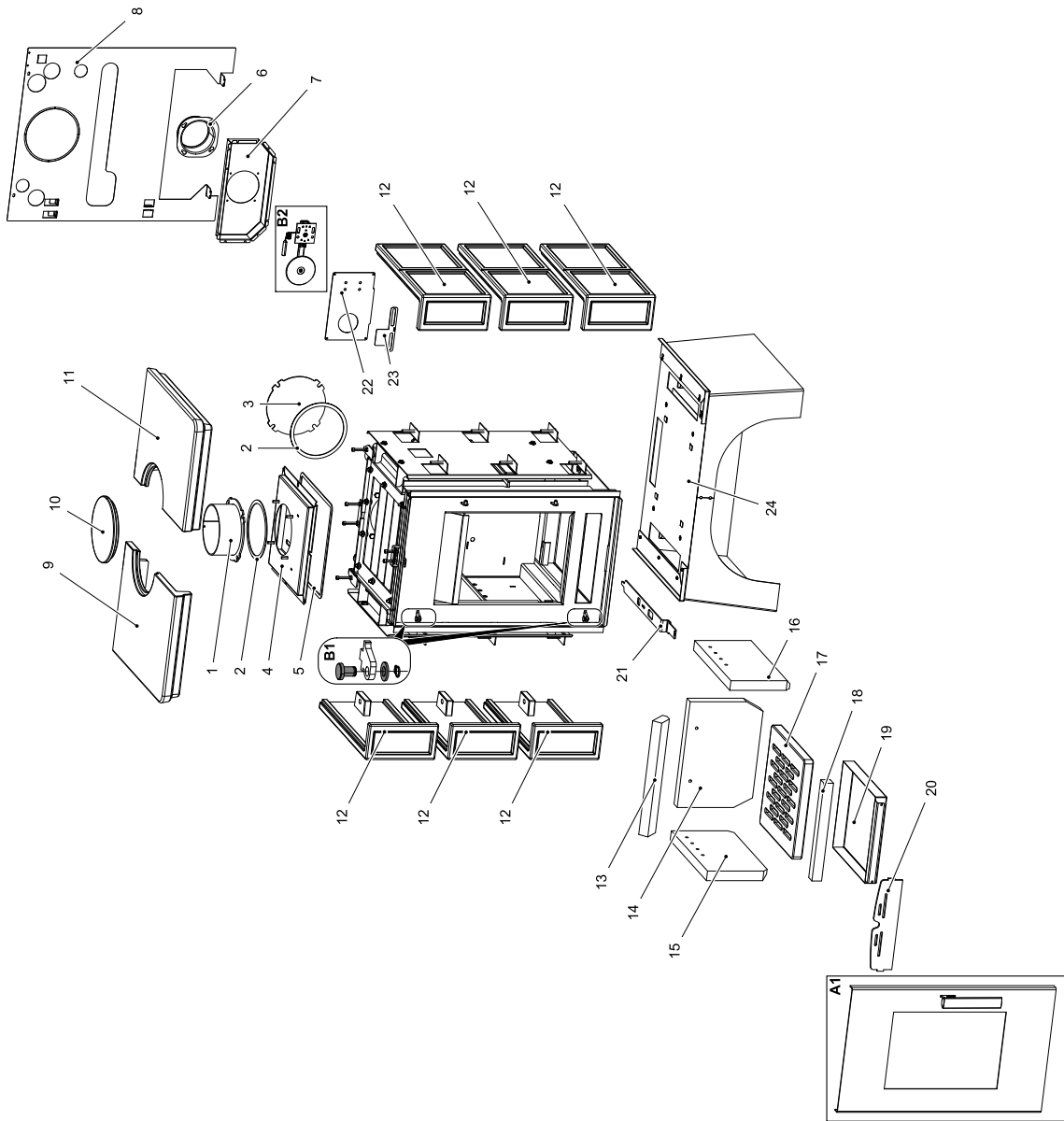


GB

Pozice	Název
a	Přívod primárního vzduchu
b	Přívod sekundárního vzduchu
c	Výstup terciálního vzduchu
d	Externí přívod vzduchu (Ø 100 mm)
e	Regulátor sekundárního vzduchu
f	Regulátor primárního vzduchu

3. Overview of spare parts

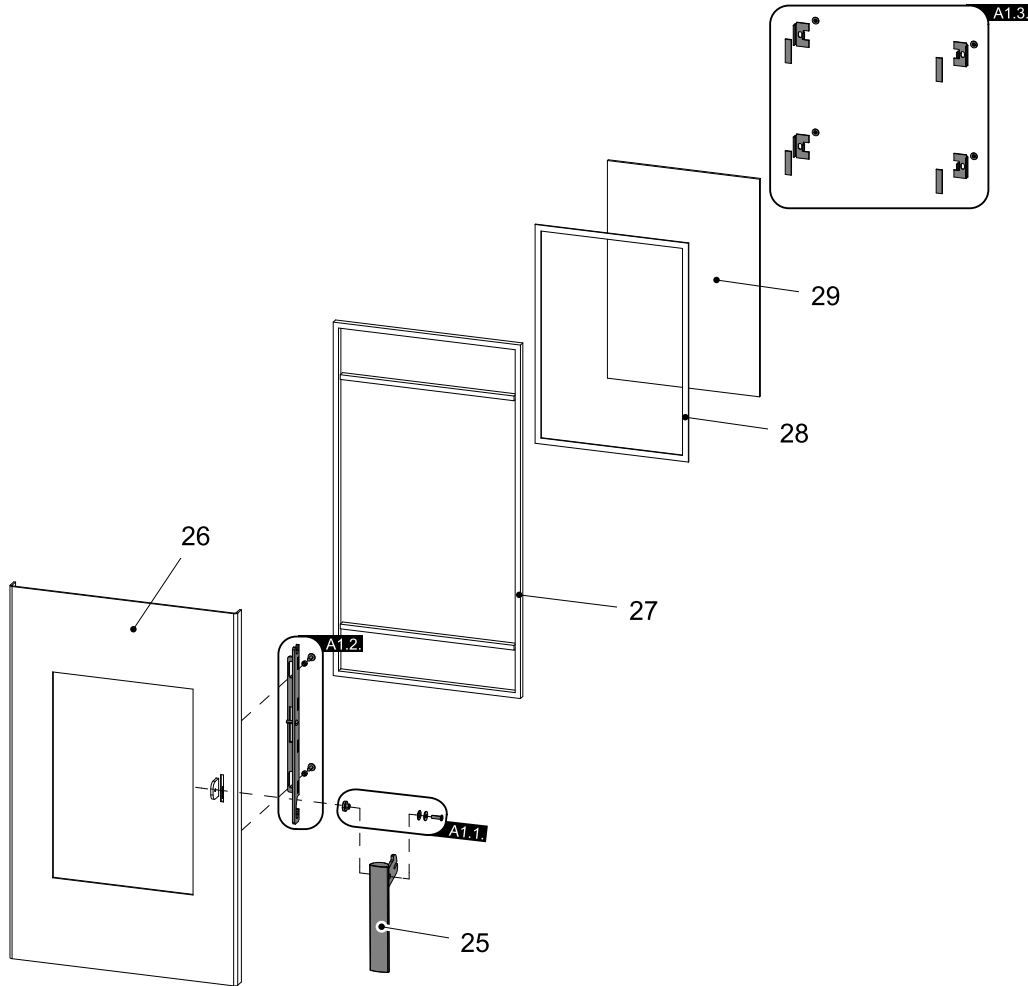
3.1. Whole emplacement



Item	Name	Piece	Spare part number
A1	Fire-box door (complete)/black	1 piece	0332315025300
B1	Strip connecting material - set	1 piece	0089931140005
B2	Automatic air control (flap)	1 piece	0431317006601
1	Smoke flue neck/black	1 piece	0470315005007
2	Flue gas duct packing cord 10x4 mm	480 mm	0040210040005
3	Flue gas duct blind flange/black	1 piece	0470315007002
4	Body cover/black	1 piece	0332315005061
5	Packing cord of body cover 10x4 mm	1100 mm	0040210040005
6	External intake of air (Ø100)	1 piece	0088500050008
7	Cover	1 piece	0433615105087
8	Rear cover	1 piece	0332315006110
9	Upper mantelpiece — left/bordeaux (Empoli)	1 piece	0332215026102
9	Upper mantelpiece — left/brown (Empoli)	1 piece	0332215006102
9	Upper mantelpiece — left/caramel (Empoli)	1 piece	0332215046105
9	Upper mantelpiece — left/green (Empoli)	1 piece	0332215016102
9	Upper mantelpiece — left/caramel (Eboli)	1 piece	0332215146102
9	Upper mantelpiece — left/brown (Eboli)	1 piece	0332215106102
9	Upper mantelpiece — left/green (Eboli)	1 piece	0332215116102
9	Upper mantelpiece — left/tobacco (Eboli)	1 piece	0332215166102
10	Blind flange/bordeaux (Empoli)	1 piece	0332215026103
10	Blind flange/brown (Eboli/Empoli)	1 piece	0332215006103
10	Blind flange/caramel (Eboli/Empoli)	1 piece	0332215046103
10	Blind flange/green (Eboli/Empoli)	1 piece	0332215016103
10	Blind flange/tobacco (Eboli)	1 piece	0332215066103
11	Upper mantelpiece — right/bordeaux (Empoli)	1 piece	0332215026105
11	Upper mantelpiece — right/brown (Empoli)	1 piece	0332215006105
11	Upper mantelpiece — right/caramel (Empoli)	1 piece	0332215046102
11	Upper mantelpiece — right/green (Empoli)	1 piece	0332215016105
11	Upper mantelpiece — right/caramel (Eboli)	1 piece	0332215146105
11	Upper mantelpiece — right/brown (Eboli)	1 piece	0332215106105
11	Upper mantelpiece — right/green (Eboli)	1 piece	0332215116105
11	Upper mantelpiece — right/tobacco (Eboli)	1 piece	0332215166105
12	Fireplace tile/bordeaux (Empoli)	1 piece	0332215026101
12	Fireplace tile/brown (Empoli)	1 piece	0332215006101
12	Fireplace tile/caramel (Empoli)	1 piece	0332215046101
12	Fireplace tile/green (Empoli)	1 piece	0332215016101
12	Fireplace tile/caramel (Eboli)	1 piece	0332215146101
12	Fireplace tile/brown (Eboli)	1 piece	0332215106101
12	Fireplace tile/green (Eboli)	1 piece	0332215116101
12	Fireplace tile/tobacco (Eboli)	1 piece	0332215166100
13	Lip - loose (30x58x355)	1 piece	0431915005701
14	Brick 30x230x330	1 piece	0332315005501
15	Brick 30x190x340	1 piece	0332315005504
16	Brick 30x190x340	1 piece	0332315005505
17	Refractory concrete grid	1 piece	0332315005052
18	Brick 27x305x30	1 piece	0332315005502
19	Ash pan	1 piece	0332315005030
20	Protection/black	1 piece	0431915006040
21	Controller of primary air/black	1 piece	0332315005186
22	Cover/black	1 piece	0332315205072

23	Sliding valve (primary air)	1 piece	0433615005183
24	Base/white	1 piece	0332215006150

3.2. Detail A1



Item	Name	Piece	Spare part number
25	Fire-box door hand pull	1 piece	0433615025318
A1.1.	Hand pull connecting material - set	1 piece	0081010180005
A1.2.	Door closing blade - set	1 piece	0331415017330
A1.3.	Glass holder - set	1 piece	0416515015304
26	Fire-box door (welded part)/black	1 piece	0332315005200
27	Sealing cord of the door 12 mm	2490 mm	0041012120005
28	Sealing cord of the glas 10x4 mm	1300 mm	0040210040005
29	Refractory glass (260x370)	1 piece	0332215005304

4. Dimensioned diagram

4.1. Knee-piece of exhaust of combustion products

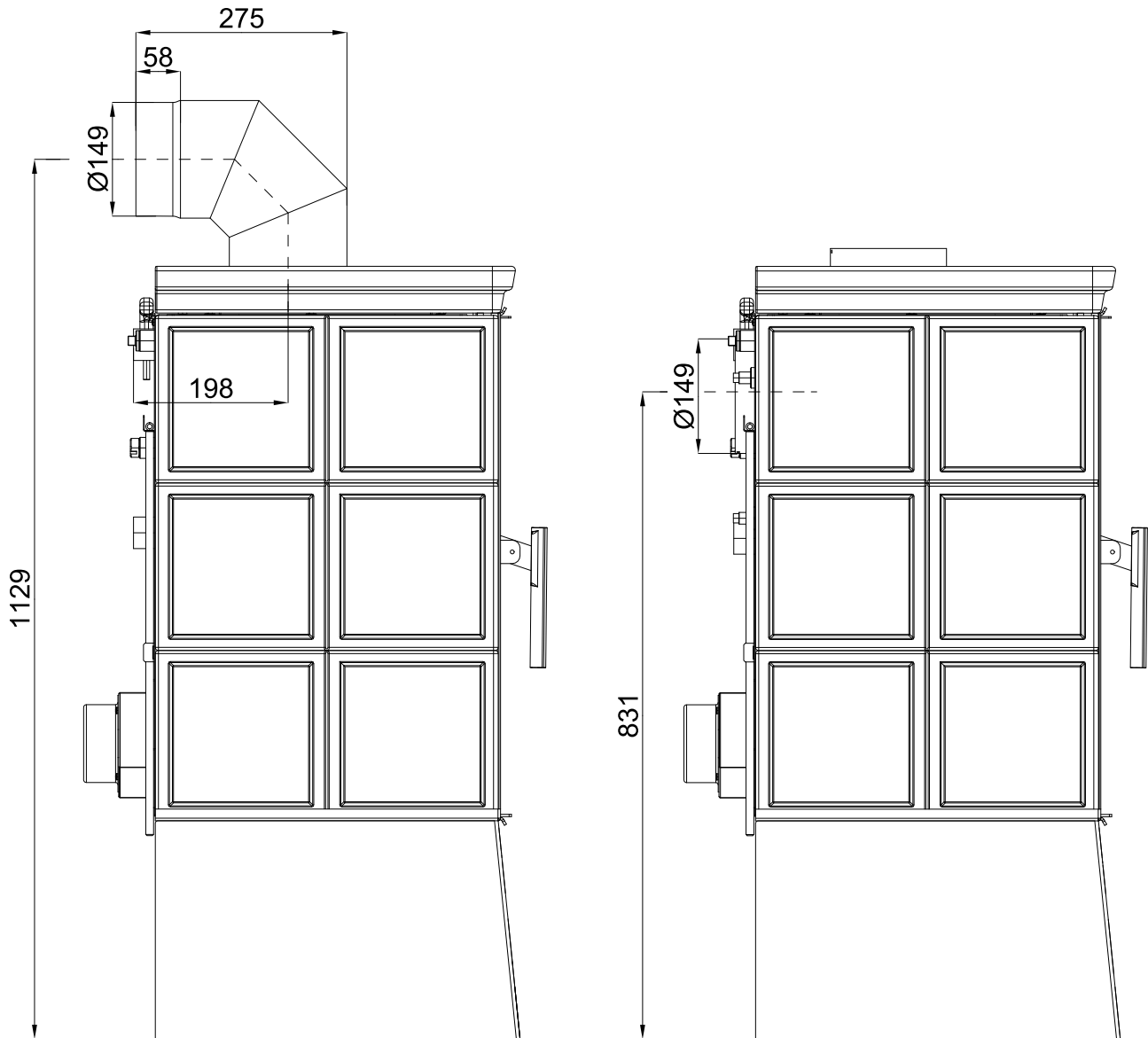


Note

The knee-piece of exhaust of combustion products is delivered as optional accessory.

Dimensioned diagram

GB

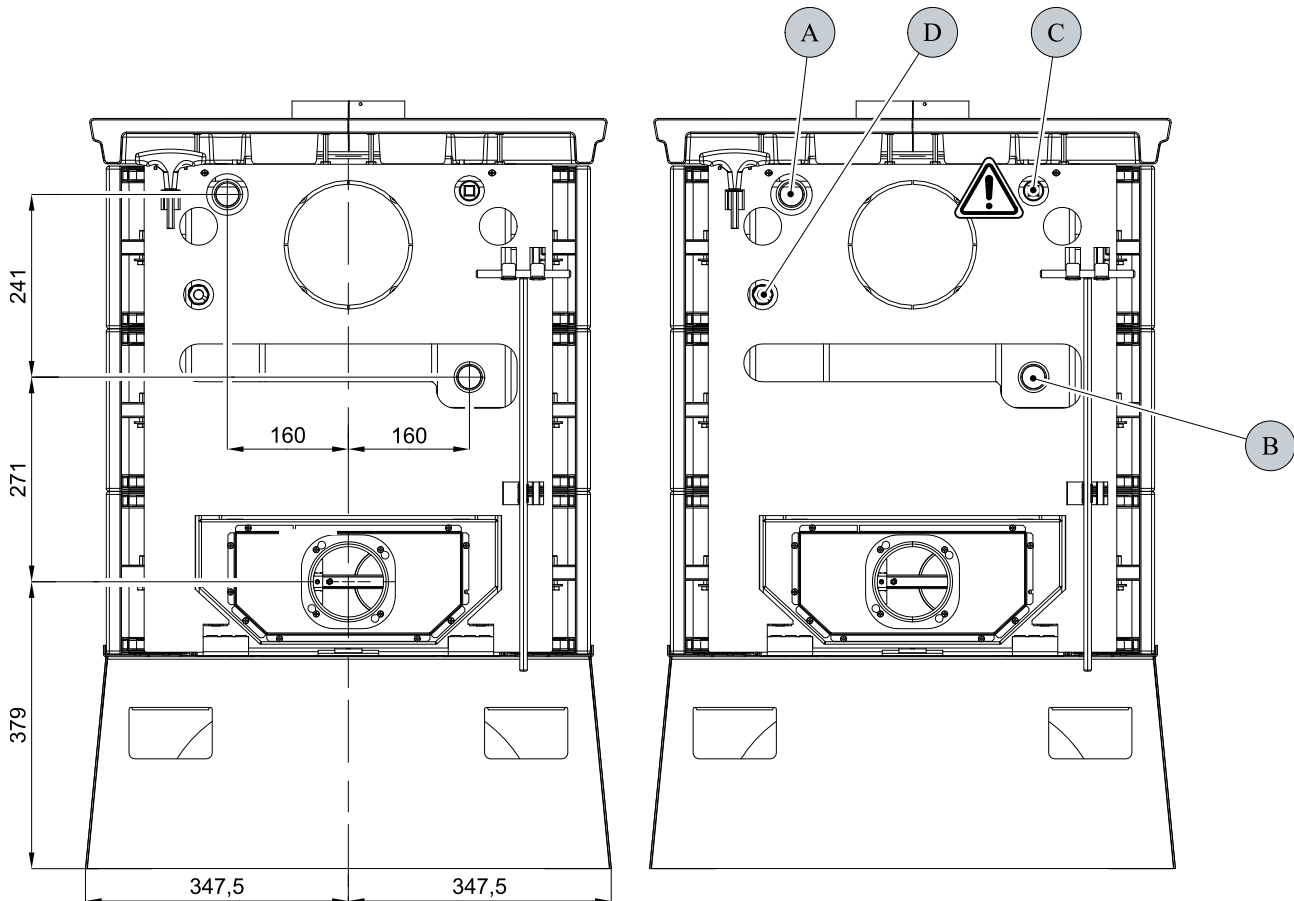


4.2. Connection of the exchanger



WARNING

The automatic venting valve (item C) must be always connected!



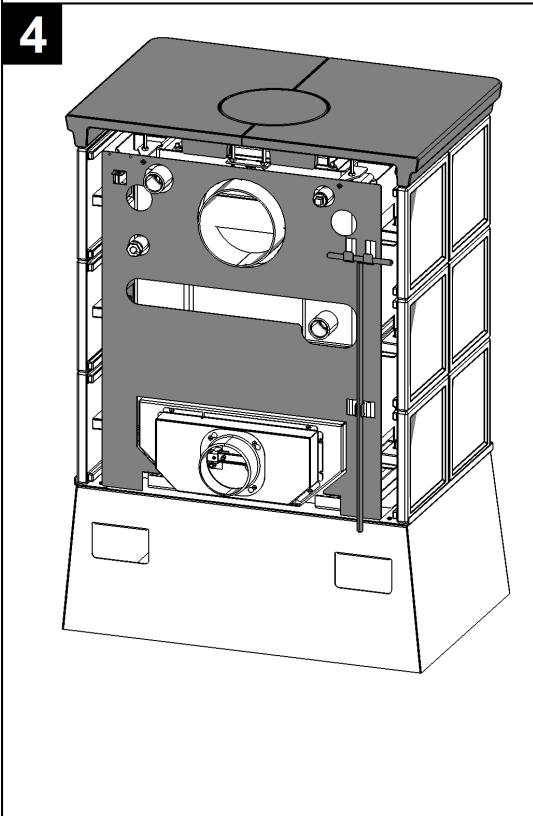
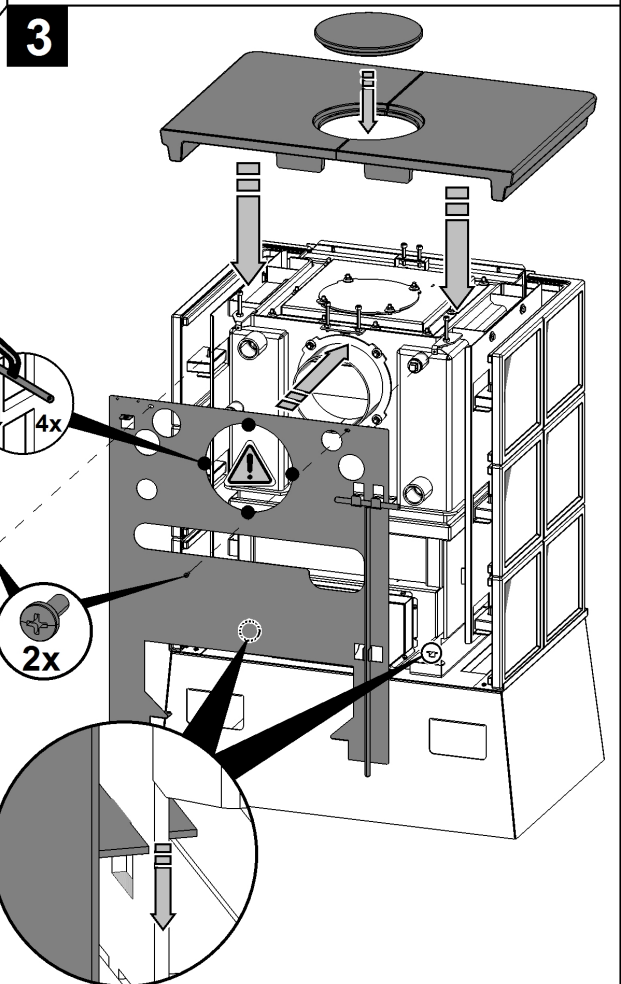
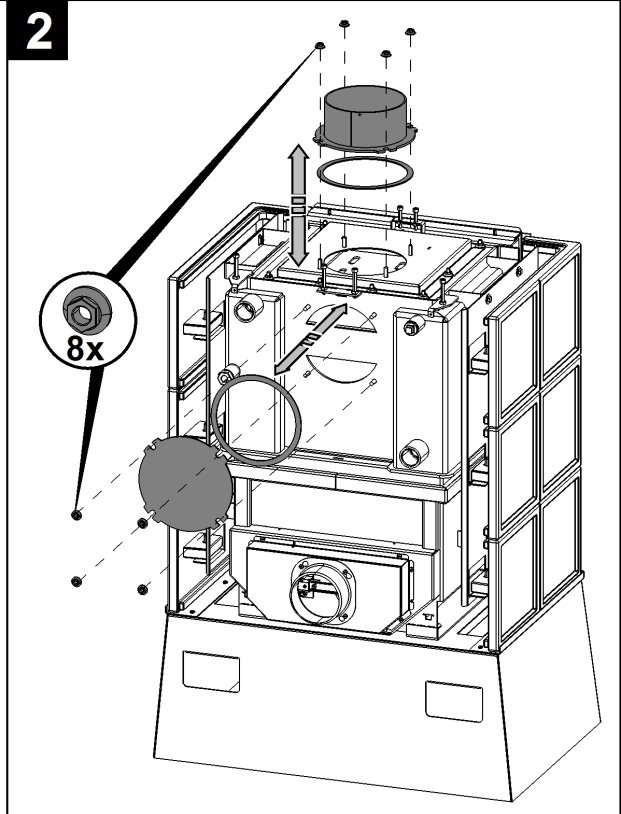
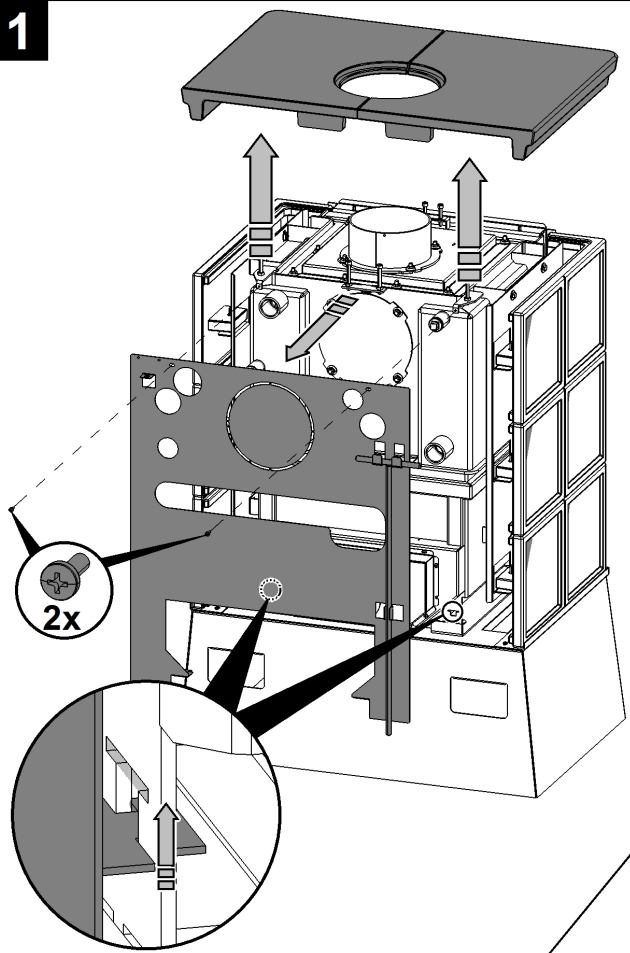
Dimensioned diagram

Item	Name
A	Heating water output (inner thread G1)
B	Return water intake (inner thread G1)
C	Hole for venting valve (inner thread G1/2)
D	Well of the thermo-static sensor (Automatic air control - flap)

GB

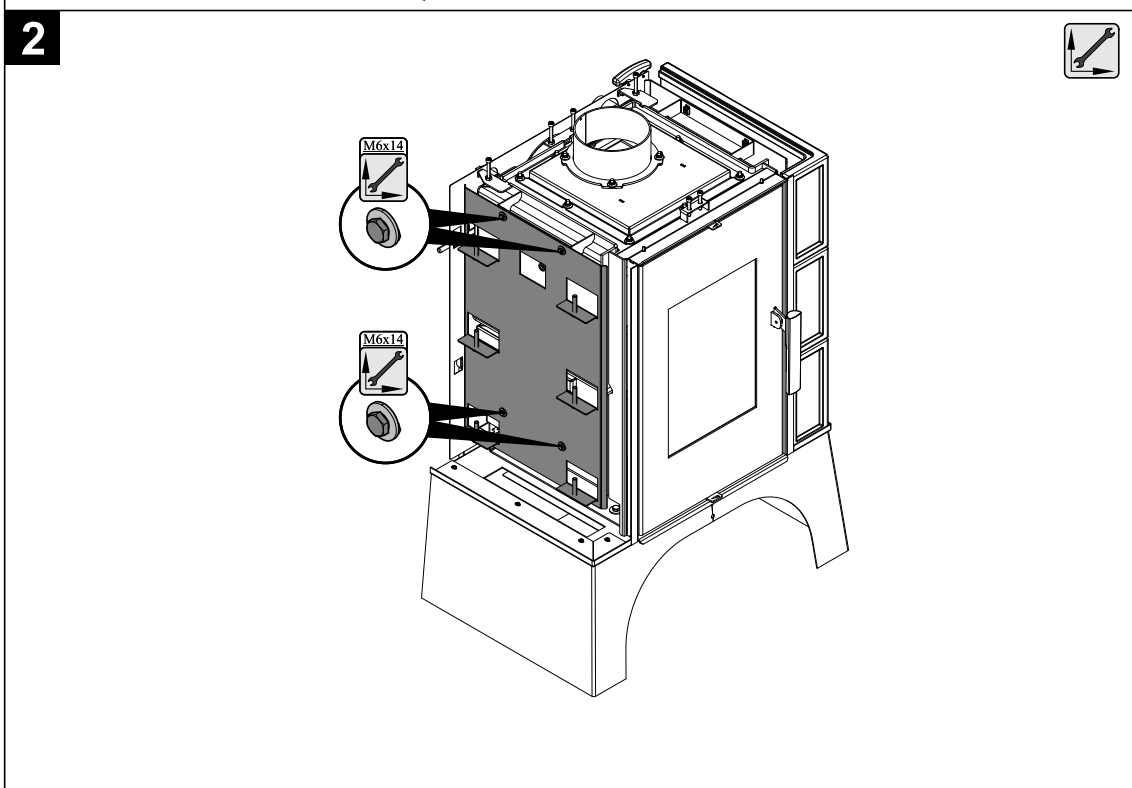
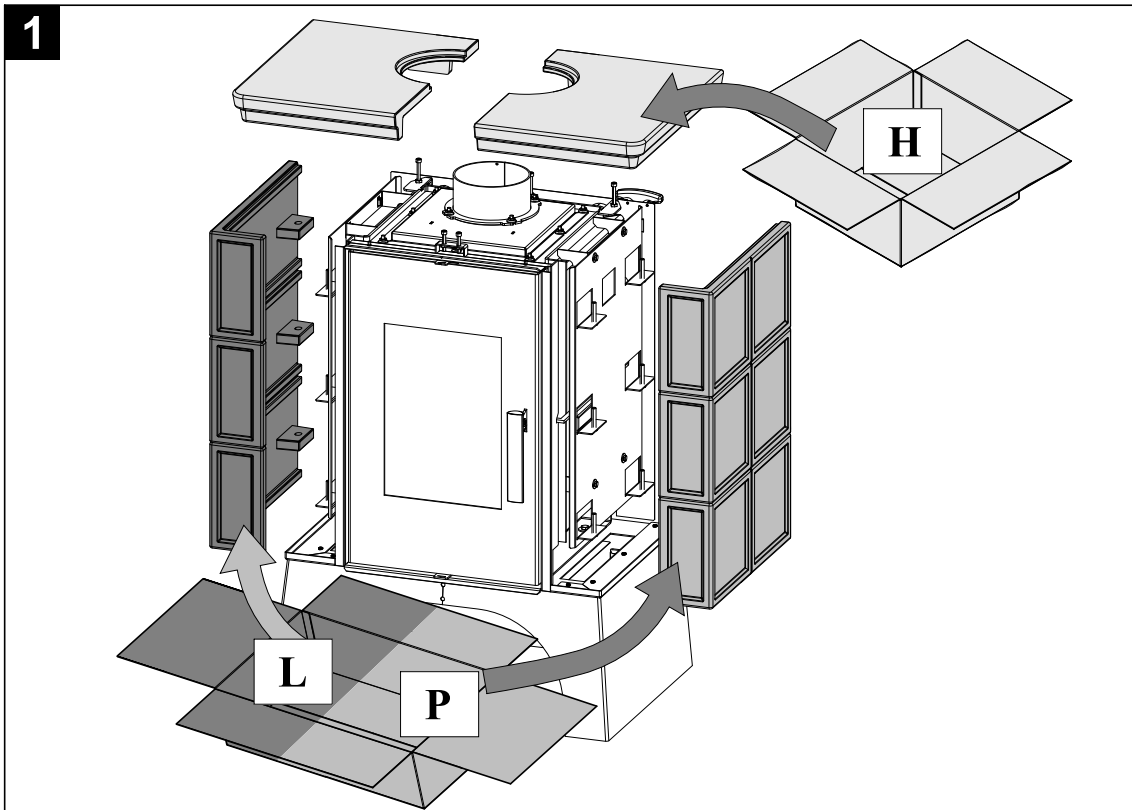
5. Change of the smoke neck

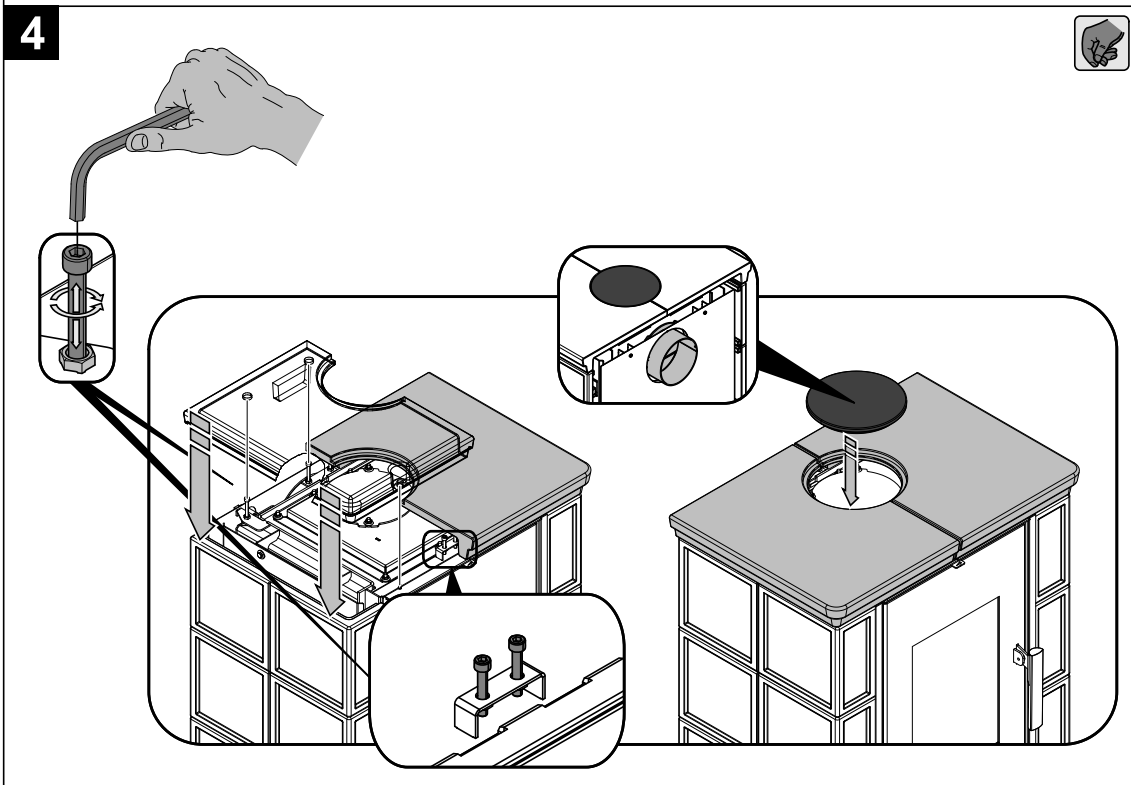
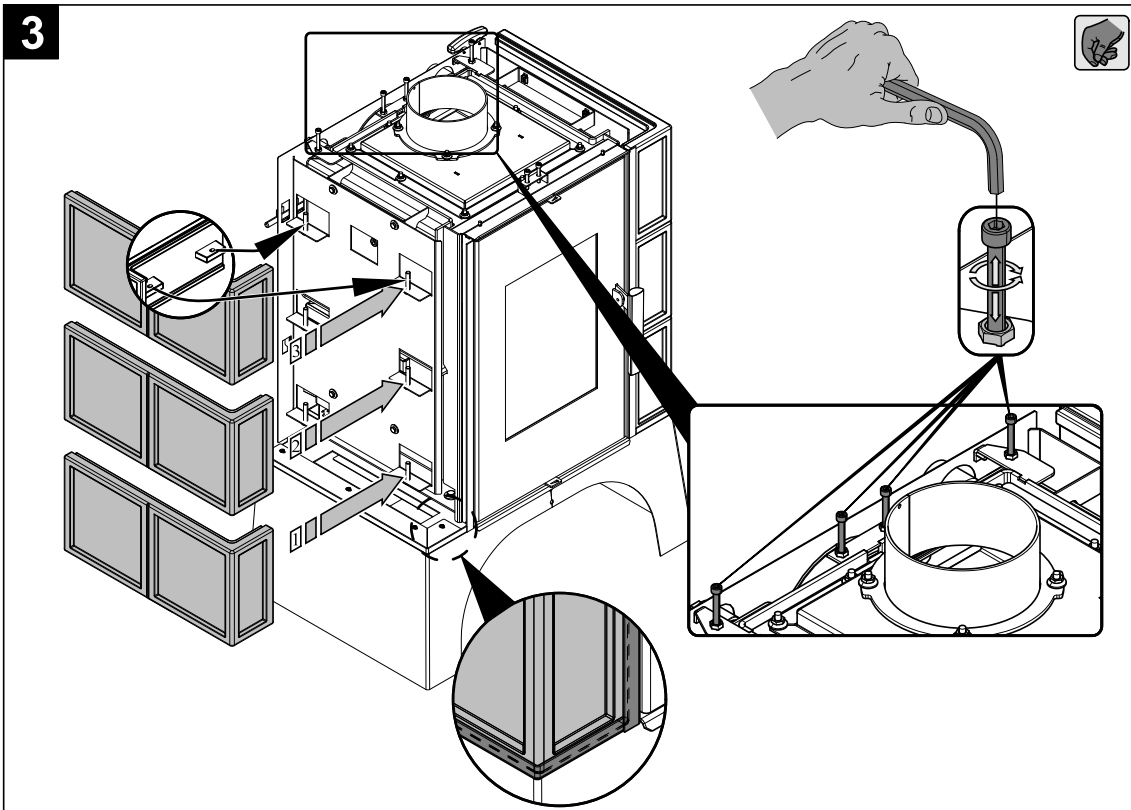
Change of the smoke neck



GB

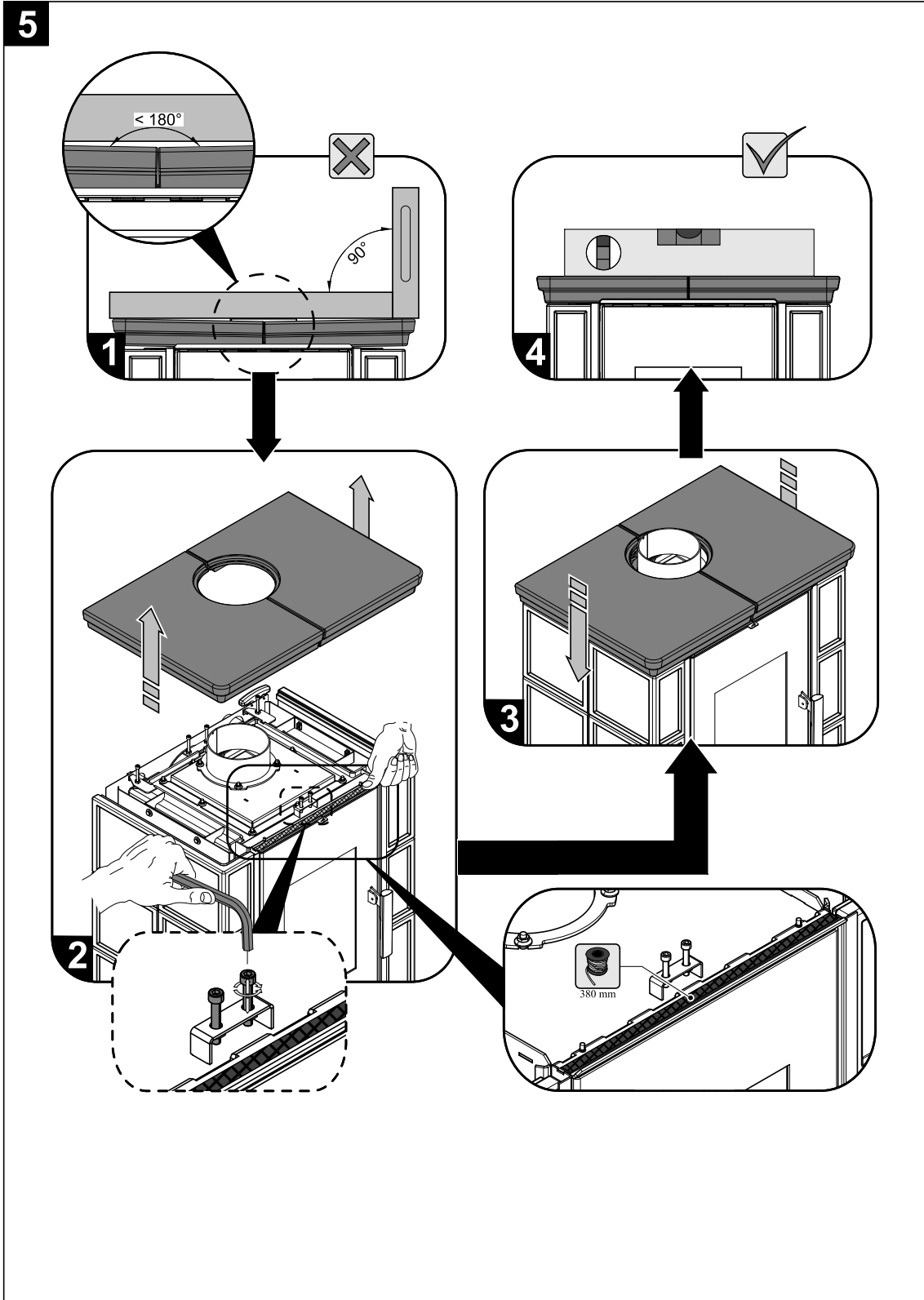
6. Fitting instructions for tiles





Note

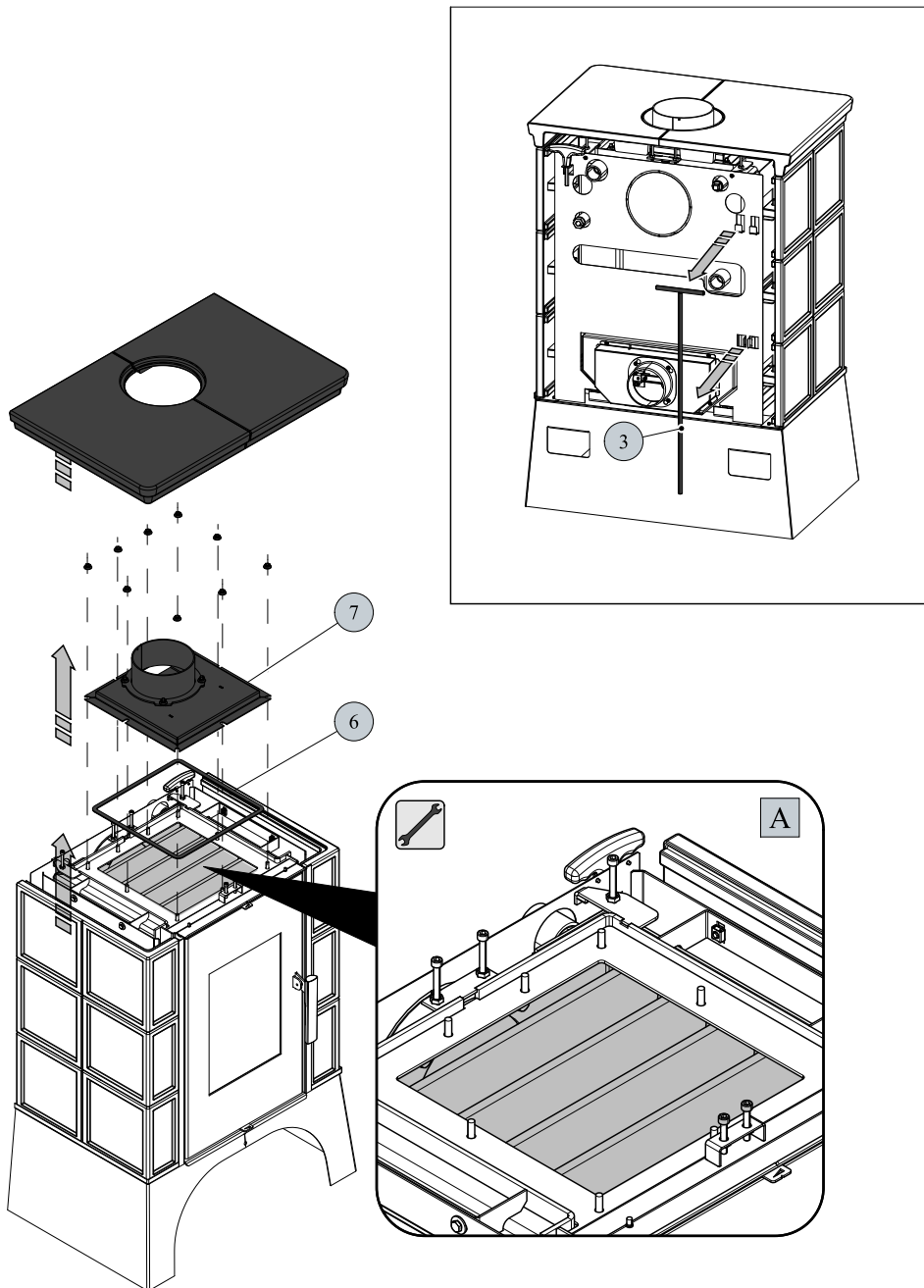
Screws M6x40 and M6x50 are a part of the supply.



Note

Allocating cord of upper ledge is a part of the supply.

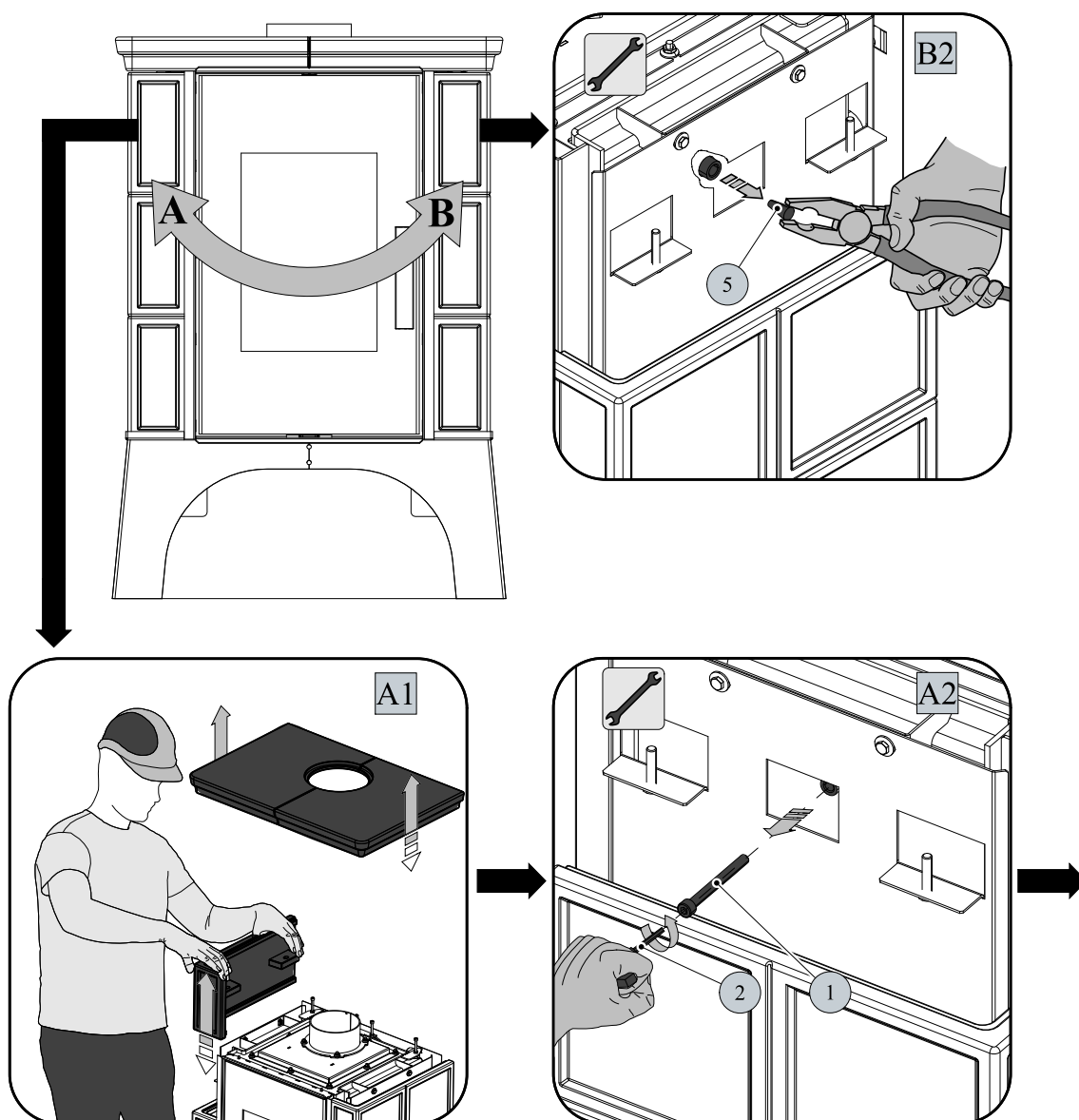
7. Heat exchanger cleaning instructions



IMPORTANT

Basic cleaning with wiping bar must be performed approximately 1x per week.

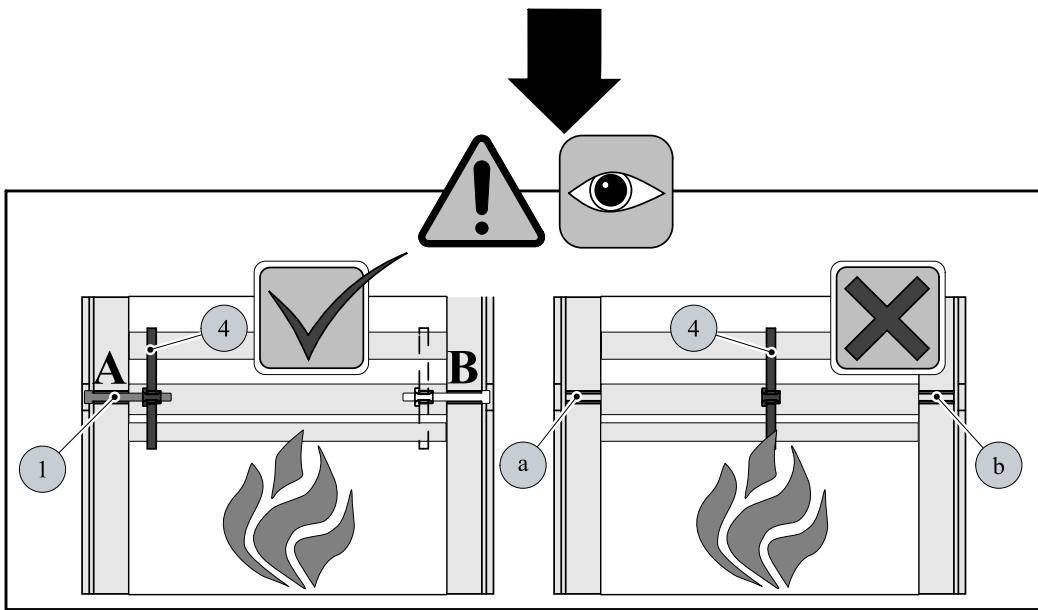
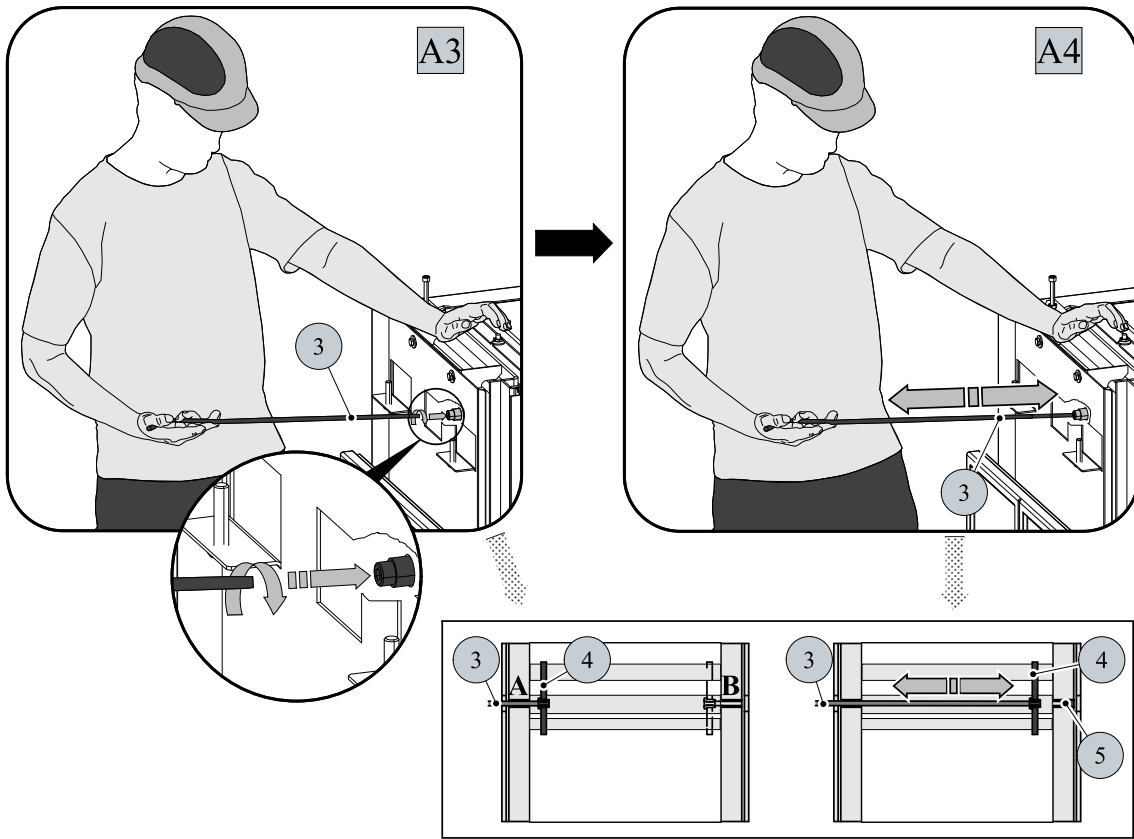
General cleaning of the exchanger should be performed at least 1x per heating season or more often, depending on the way of operation. select a suitable cleaning tool to clean the exchanger surfaces (fig. A). when performing general cleaning, dismount carefully the body cover (pos. 7) to avoid damage to the packing cord (pos. 6).



i Note

When exchanging the cleaning sides, pos. 5 is exchanged for pos. 1 (fig. B2, A2). The cleaning procedure applies also for the opposite side.

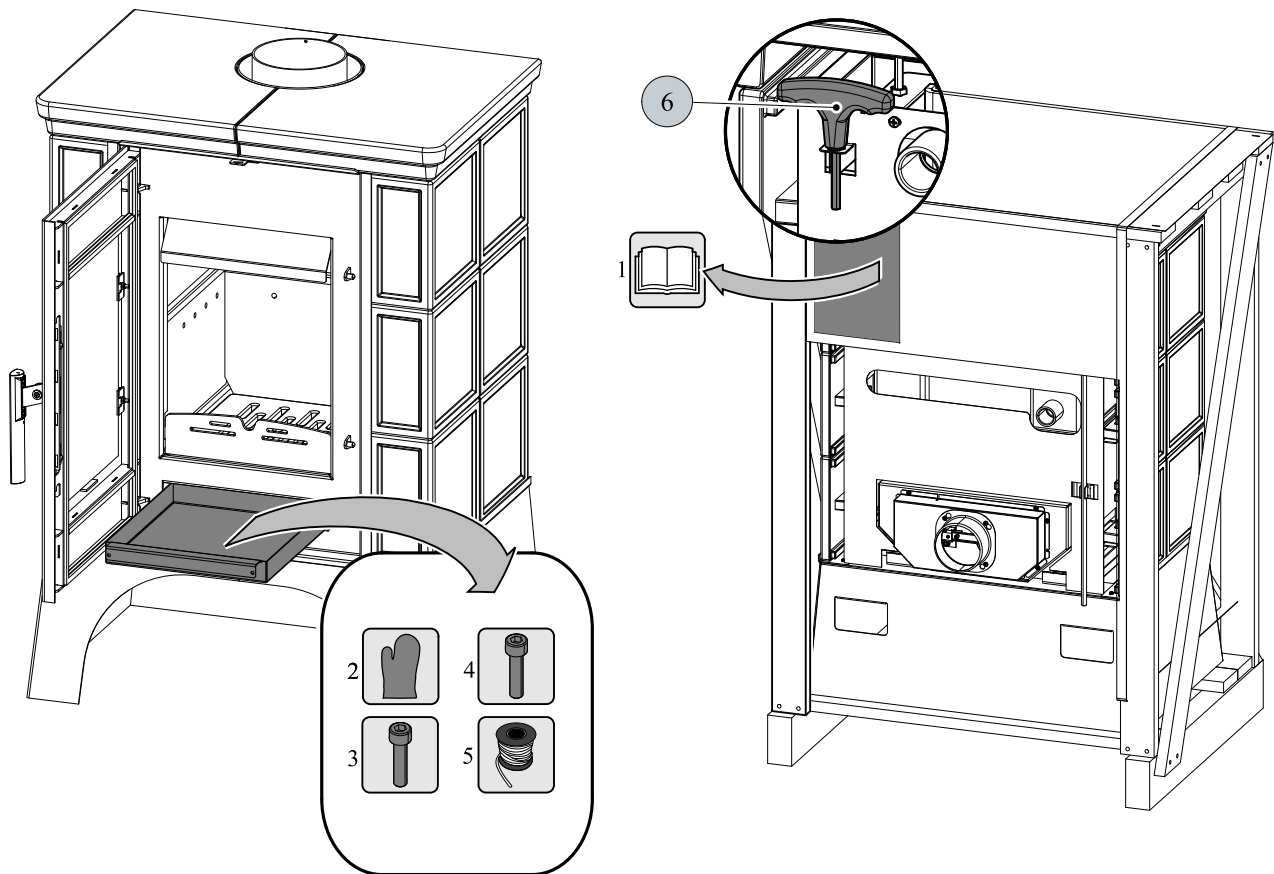
Item	Name	Piece	Spare part number
1	Screw M10x70	1 piece	0030031000705
2	Allen wrench 8 mm (forms part of the delivery)	1 piece	9001700080005
3	Drawbar of cleaning/black	1 piece	0433317005063
4	Wiping blade	1 piece	—
5	Plug	1 piece	0431915005018
6	Packing cord of body cover 10x4 mm	1100 mm	0040210040005
7	Body cover/black	1 piece	0332315005061



WARNING

When terminating the cleaning, always arrest the wiping bar. Do not leave the wiping bar over the flame and the (a, b) holes freely passable.

8. Included in the scope of delivery



Included in the scope of delivery

GB

Item	Name	Piece
1	Technical documentation	—
2	Holder	1 piece
3	Screw M6x50	4 piece
4	Screw M6x40	2 piece
5	Allocating cord of upper ledge	380 mm
6	Allen wrench 8 mm	1 piece