

HAAS
+
SOHN

Salzburg easy 351.15

Equipment sheet
Fireplace stove

GB

Introduction

We thank you very much for purchasing our product!

The description of the heating device will inform you in detail about the design, technical specification and operation of the heating device. We recommend you to acquaint yourselves closely with these data. In this way, you will avoid possible faults during the proper assembly and operation.

You will find detailed conditions of installation and operation in General Manual of Operation (included in the scope of the delivery).

Notes in the text

GB



Of utmost importance there are the notes entitled **WARNING**. The notes entitled **WARNING** advise you on **serious danger of damage to the heating device or of an injury**.



The note entitled **Notice** advises you on possible damage to your heating device.



The note entitled **Important** calls your attention to the information important for the operation of your heating device.



The note itself calls your attention to the information important for the operation of your heating device in general.

Contents

1. Technical data	1
1.1. Suitable fuel, stoking amount of fuel	1
2. Technical description	2
3. Overview of spare parts	3
3.1. Whole emplacement.....	3
3.2. Detail A1	5
4. Easy control	6
5. Conversion of the smoke flue neck	7

1. Technical data

	Block wood	
Achievable heat output (100%)	7,3 kW	
Nominal heat output	6,6 kW	
Energy efficiency	80 %	
Average concentration of CO at 13% O ₂	1250 mg/Nm ³	823 mg/MJ
Average concentration of dust at 13% O ₂	22 mg/Nm ³	15 mg/MJ
Average concentration of NOx at 13% O ₂	96 mg/Nm ³	64 mg/MJ
Average concentration of OGC at 13% O ₂	51 mg/Nm ³	30 mg/MJ
Amount of combustion products at nominal output	5,4 g/s	
Temperature of combustion products in the smoke flue neck	365 °C	
Minimum draft of the chimney at nominal heat output	12 Pa	

1.1. Suitable fuel, stoking amount of fuel

Fuel:	Max. stoking amount of fuel
Block wood:	2 logs (max. 1,5 kg)
Length of wood logs:	Max. 33 cm
Saw-dust briquettes (DIN51731):	1 briquette (max. 1,3 kg)
Lignite briquette:	—



Note

When heating with wood stock, employ solely the types of wood which have been stored for two years and their residual humidity is at most 17 %.

2. Technical description

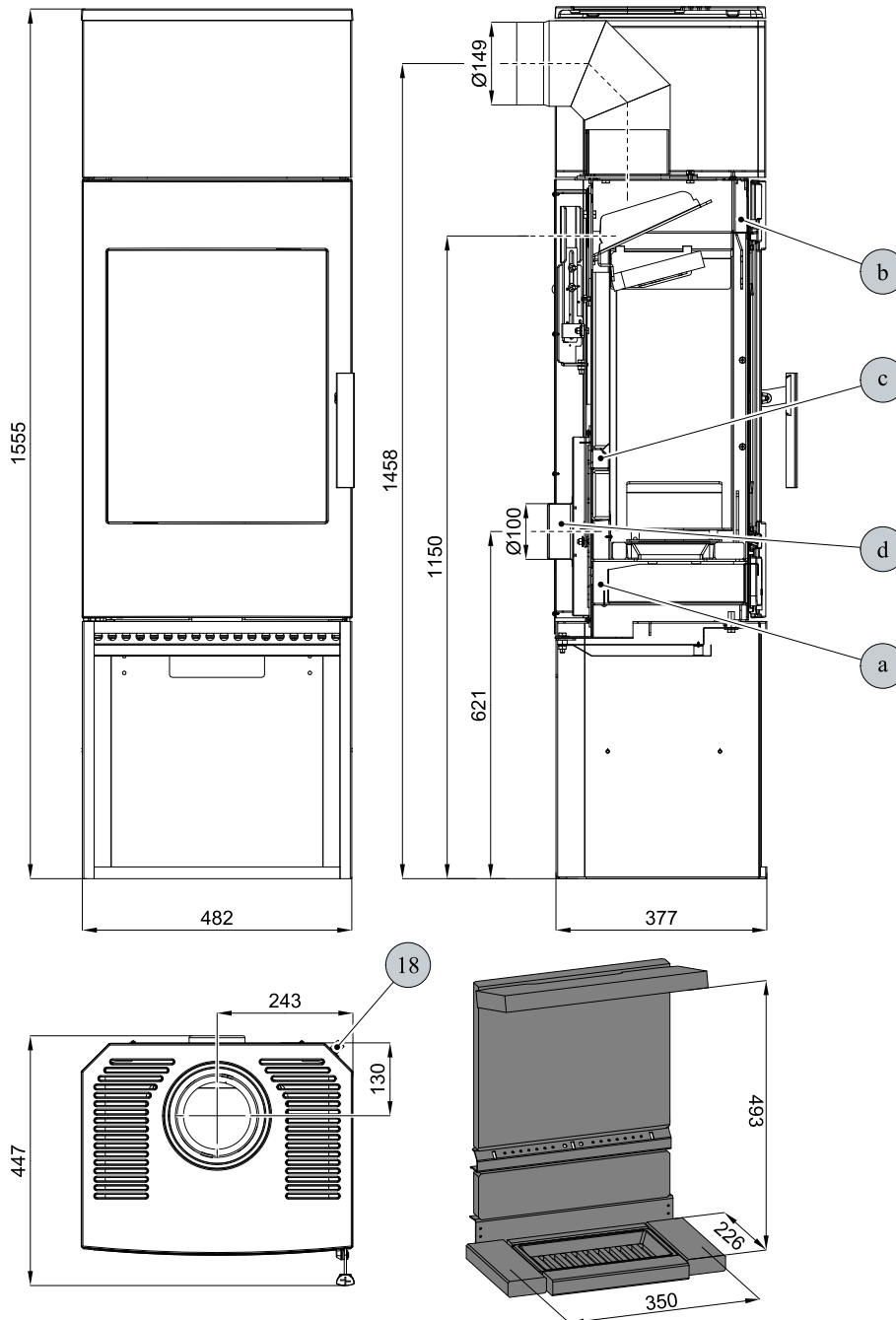


Note

The knee-piece of exhaust of combustion products is delivered as optional accessory.

Technical description

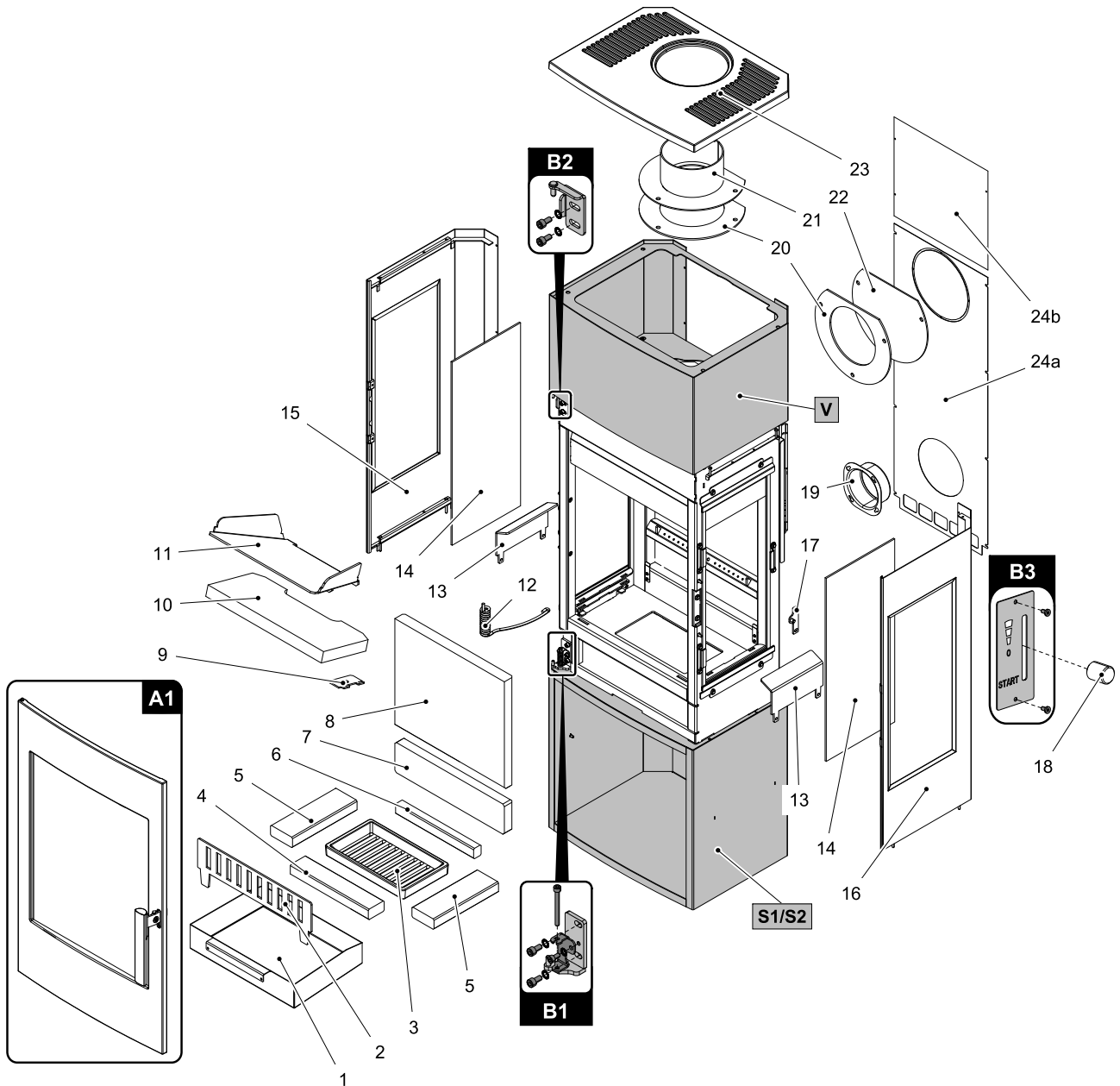
GB



Item	Name
18	Easycontrol — controller
a	Intake of primary air
b	Intake of secondary air
c	Tertiary air output
d	External intake of air (Ø100)

3. Overview of spare parts

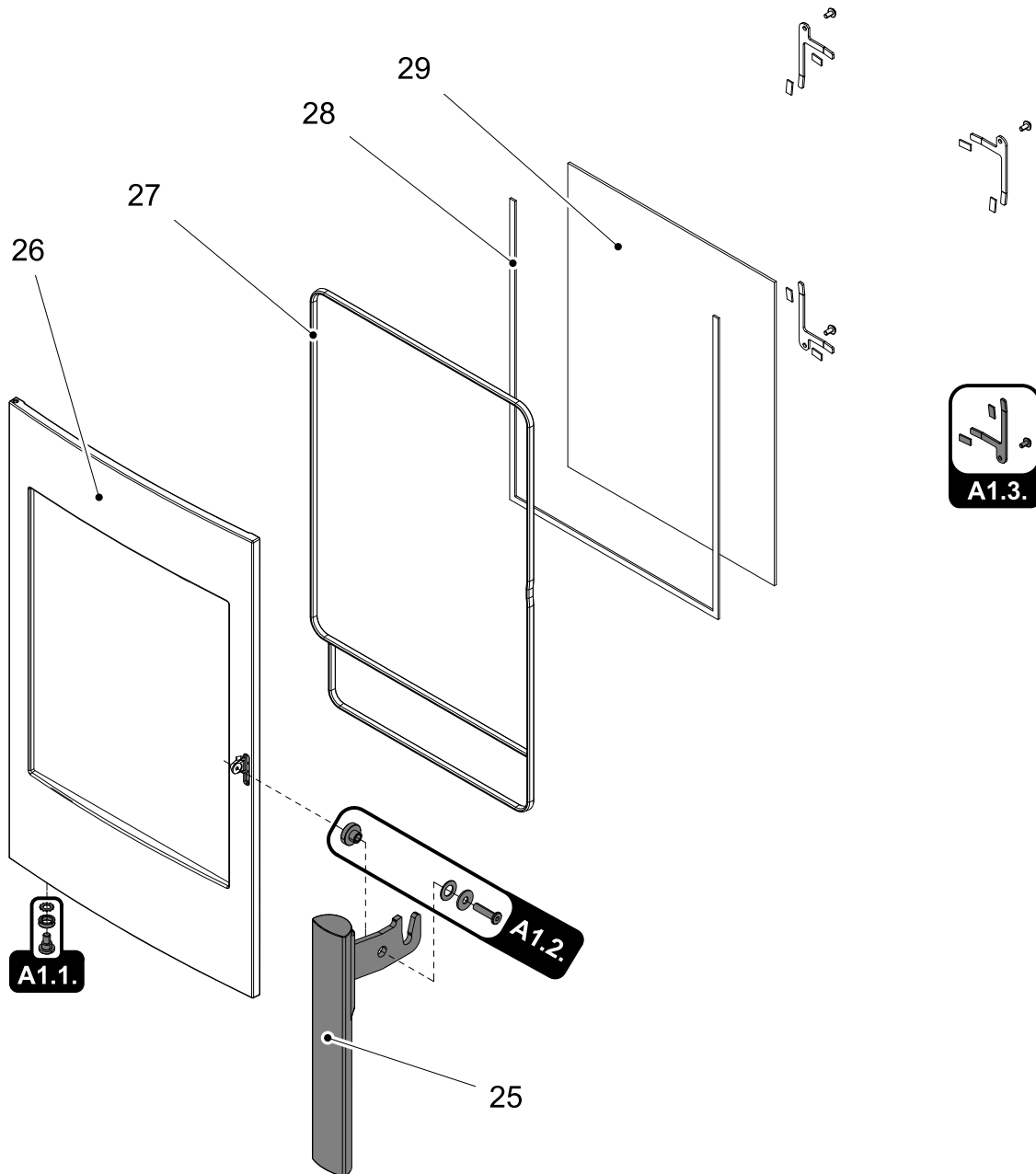
3.1. Whole emplacement



Item	Name	pcs	Spare part number
Whole emplacement			
A1	Fire-box door (complete)/black	1 piece	0335015005300
B1	Bottom hinge (complete)/black	1 piece	0335015005380
B2	Top hinge (complete)/black	1 piece	0335015005395
B3	Controller (complete)/Easycontrol	1 piece	0335215005161

1	Ashpan/black	1 piece	0335015005650
2	Protection/black	1 piece	0335115005089
3	Grate	1 piece	0020100130005
4	Refractory lining 30x53x260	1 piece	0335115005508
5	Refractory lining 30x73,5x215	2 piece	0335115005509
6	Refractory lining 30x25x260	1 piece	0335115005507
7	Refractory lining 30x87x365	1 piece	0335015005505
8	Vermiculiteplate 30x315x365	1 piece	0335115005512
9	Holder of the vermiculite	1 piece	0335115005029
10	Lower lip 30x167x375	1 piece	0335115005703
11	Upper lip/black	1 piece	0335015005752
12	Spring of door shutting	1 piece	0335015005384
13	Lateral protection/black	2 piece	0335115005061
14	Lateral refractory glass (4x228x528)	2 piece	0335115005071
15	Side cover-left/black	1 piece	0335115006189
16	Side cover-right/black	1 piece	0335115006145
17	Door closing blade (complete)/black	1 piece	0335015005345
18	Easycontrol — Controller handle	1 piece	0335115006626
19	External intake of air (Ø100)	1 piece	7418500048200
20	Smoke flue sealing	2 piece	0335015005060
21	Smoke flue neck/black	1 piece	0335015005950
22	Blind flange of the smoke flue/black	1 piece	0335015005098
23	Top cover/black	1 piece	0335015006189
24a	Rear cover-lower/black	1 piece	0335015005031
24b	Rear cover-upper/black	1 piece	0335015005033
S1	Base with door/black	1 piece	0335015006330
S2	Base-open/black	1 piece	0335015006289
V	Cover/black	1 piece	0335015006299

3.2. Detail A1



Item	Name	pcs	Spare part number
Detail A1			
A1.1.	Set of carrying screws	1 piece	0335015005319
A1.2.	Set of door screw coupling	1 piece	0335015005351
A1.3.	Set of glass holders	4 piece	0335015005397
25	Hand pull with hand pull attachment	1 piece	0335015005350
26	Fire-box door/black	1 piece	0335015005354
27	Sealing of the door 11 mm	2700 mm	0040300110005
28	Sealing cord of the glas 8x4 mm	1900 mm	0040308040005
29	Refractory glass (519x408)	1 piece	0335015005301

4. Easy control

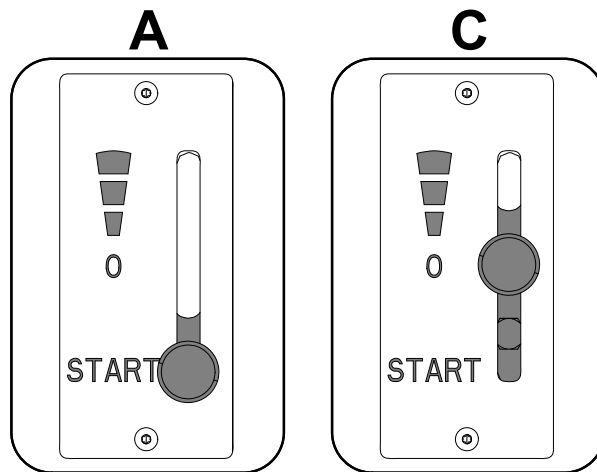
Control of all three air inputs - primary, secondary, tertiary - by means of one sole controller.

1. The controller is in the position intended for ignition (fig. A). All three air inputs are open (primary, secondary, tertiary).
2. The controller is in the position intended for burning of the stove after ignition (fig. B).
3. The controller is in the position designed to close air inputs (Fig. C). No input is open (primary, secondary, tertiary). This position is used only when the stove is out of operation, after finishing the heating process.

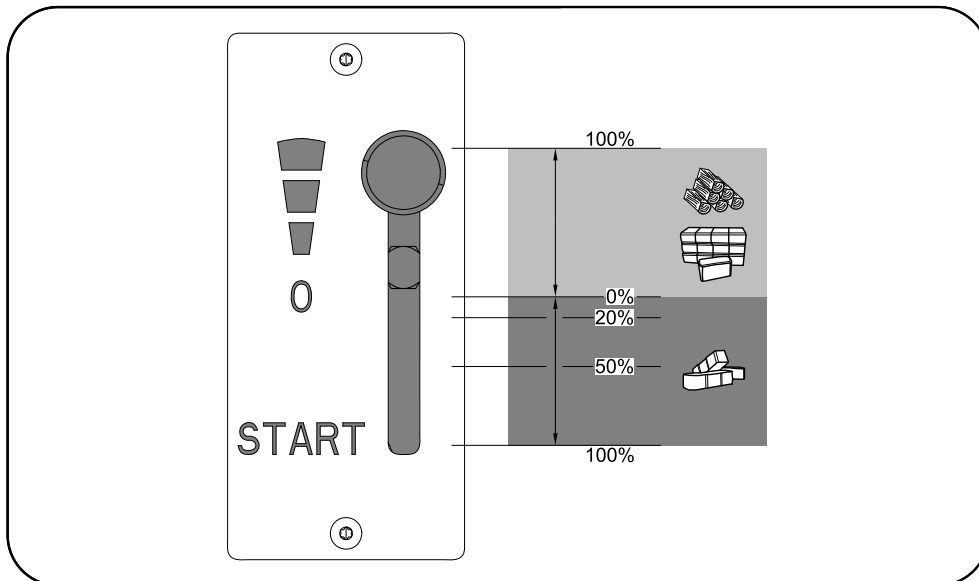


WARNING

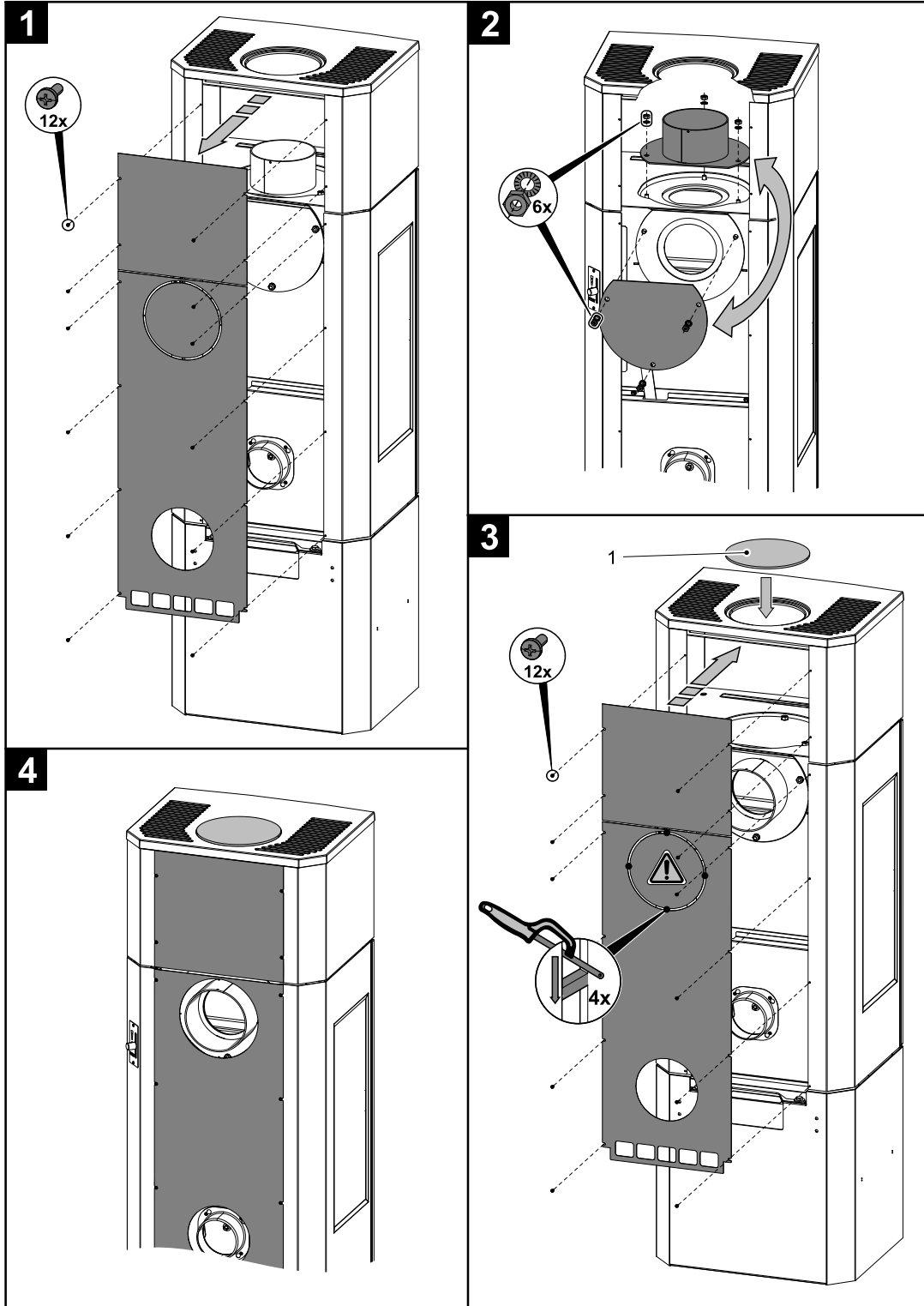
Air inputs may not be closed during the heating operation (Fig. C)! In an extreme case, there can occur an explosion in the stove followed by breaking of glass, blowing up of cinders across the room and breaking out of the fire.



B



5. Conversion of the smoke flue neck



Item	Name	pcs	Spare part number
1	Blind cover/black (special accessorie)	1 piece	0335015006188