

HAAS  
+  
SOHN

## Werfen 9 with exchanger

**Equipment sheet**  
Fireplace stove with exchanger

**GB**

0419018151400b

# Introduction

**We thank you very much for purchasing our product!**

The description of the heating device will inform you in detail about the design, technical specification and operation of the heating device. We recommend you to acquaint yourselves closely with these data. In this way, you will avoid possible faults during the proper assembly and operation.

**You will find** detailed conditions of installation and operation in General Manual of Operation (included in the scope of the delivery).

## Notes in the text

GB



Of utmost importance there are the notes entitled **WARNING**. The notes entitled **WARNING** advise you on **serious danger of damage to the heating device or of an injury**.



The note entitled **Notice** advises you on possible damage to your heating device.



The note entitled **Important** calls your attention to the information important for the operation of your heating device.



The note itself calls your attention to the information important for the operation of your heating device in general.

# Contents

<b>1. Technical data</b> .....	1
<b>2. Technical description</b> .....	2
<b>3. List of spare parts</b> .....	3
3.1. Overall scheme of the model .....	3
3.2. Detail A1 .....	5
<b>4. Connection of the exchanger</b> .....	6
4.1. Option without a cooling loop .....	6
4.2. Option with a cooling loop .....	7
<b>5. Easy control</b> .....	8
<b>6. Kindling vent</b> .....	9
<b>7. Installation of the coolant loop</b> .....	10
<b>8. Instructions for cleaning of the exchanger</b> .....	11
8.1. Long-time cleaning of the exchanger .....	11
8.2. Short-time cleaning of the exchanger .....	12



# 1. Technical data


## Suitable fuel:

As concerns suitable fuel to be employed, see the chapter **2.2 Fuel** in the General Manual of Operation.

## Proper operation:

As concerns the proper and safe operation of the fireplace stove, see the chapters **2. Description of the combustion process** and **5. Operating instructions** in the General Manual of Operation.

## Instructions for the control of combustion process

Fuel		Output of the heating device	Quantity of fuel	Primary air	Secondary air	Tertiary air
Blockwood		100%	3,6 kg/hour (2 piece)	Easy control 100%		
		50%	1,7 kg/hour (1 piece)	Easy control 50%		

Length of wood logs: 33 cm (50 cm)

## Technical data

	Blockwood
Nominal heat output	12,2 kW
Reduced heat output (50%)	—
Nominal power output for water heating	8,4 kW
Nominal power output delivered only by the body of the fireplace	3,8 kW
Maximum mass flow of dry combustion products	3,6 kg/hour
Average temperature of combustion products behind the smoke flue neck	282 °C
Maximum mass flow of dry combustion products	12,1 g/s
Energy efficiency	80,2 %
Average concentration of CO <sub>2</sub>	8,71 %
Concentration of CO in combustion products at 13% O <sub>2</sub>	1028 mg/Nm <sup>3</sup>
Average concentration of dust at 13% O <sub>2</sub>	37 mg/Nm <sup>3</sup>
The amount of combustion air at nominal output	35 m <sup>3</sup> /h
Tested in compliance with EN 13 240	

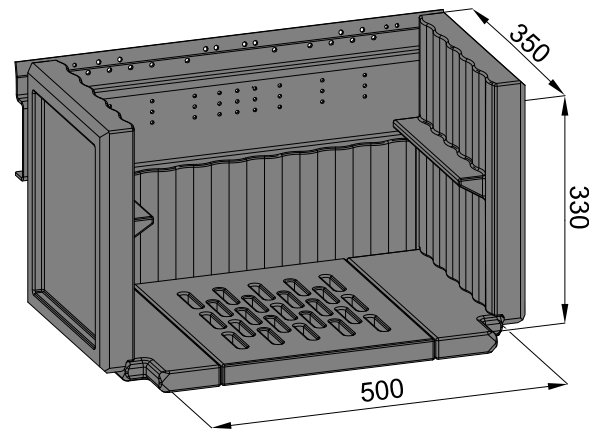
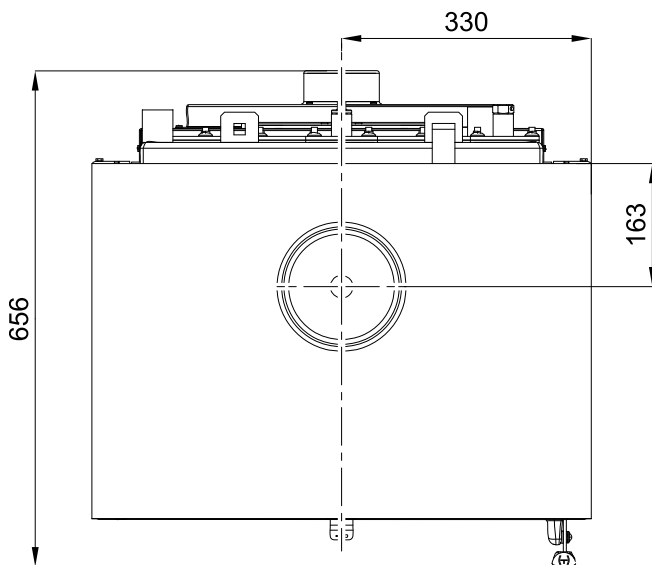
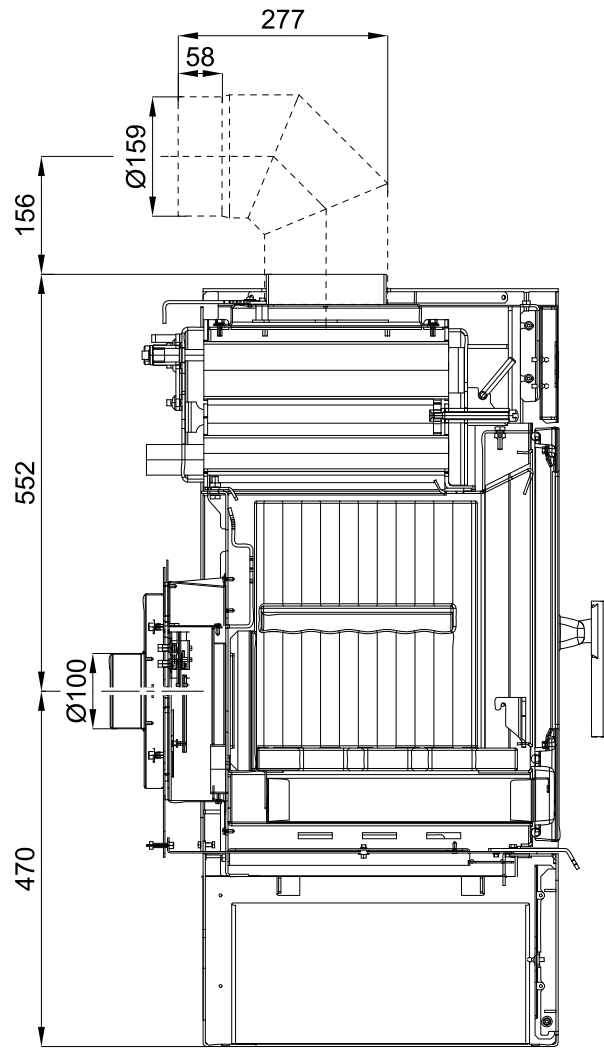
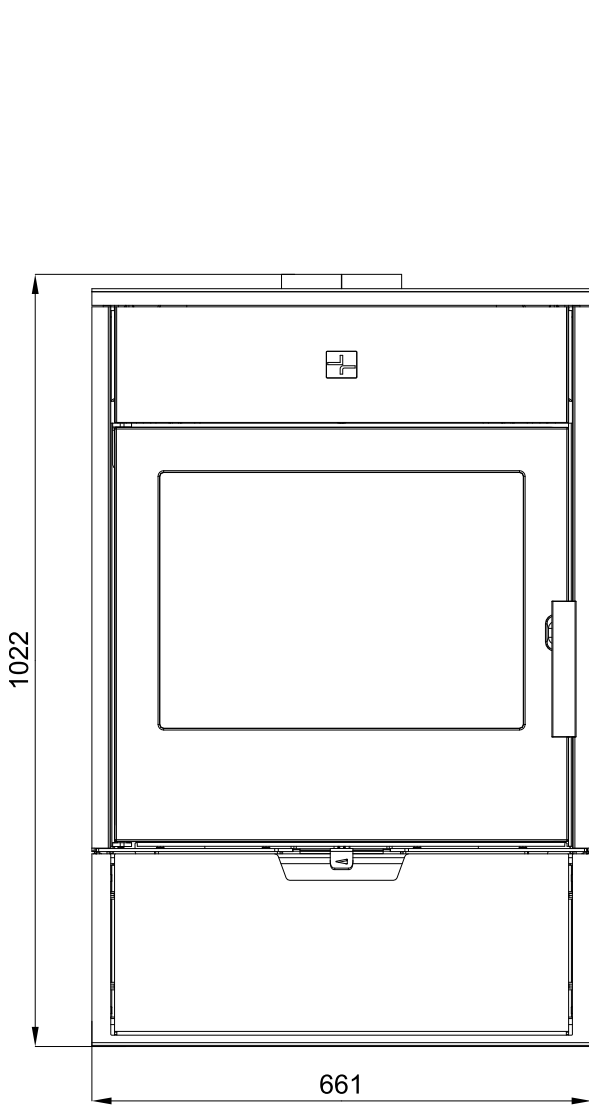
## Technical information

Height	1022 mm
Width	661 mm
Depth	656 mm
Weight	220 kg
Diameter of the smoke flue	160 mm
Maximum operating over-pressure of the exchanger	0,2 MPa
Water contents of the exchanger	15 l
Recommended heat gradient (t <sub>output</sub> – t <sub>input</sub> )	75 – 60 °C
Min. chimney stack draught in the smoke flue neck	12 Pa
Heating capacity (middle heat losses) at 12,2 kW	cca 220 m <sup>3</sup>
Controllable output	4 – 12,2 kW

# 2. Technical description

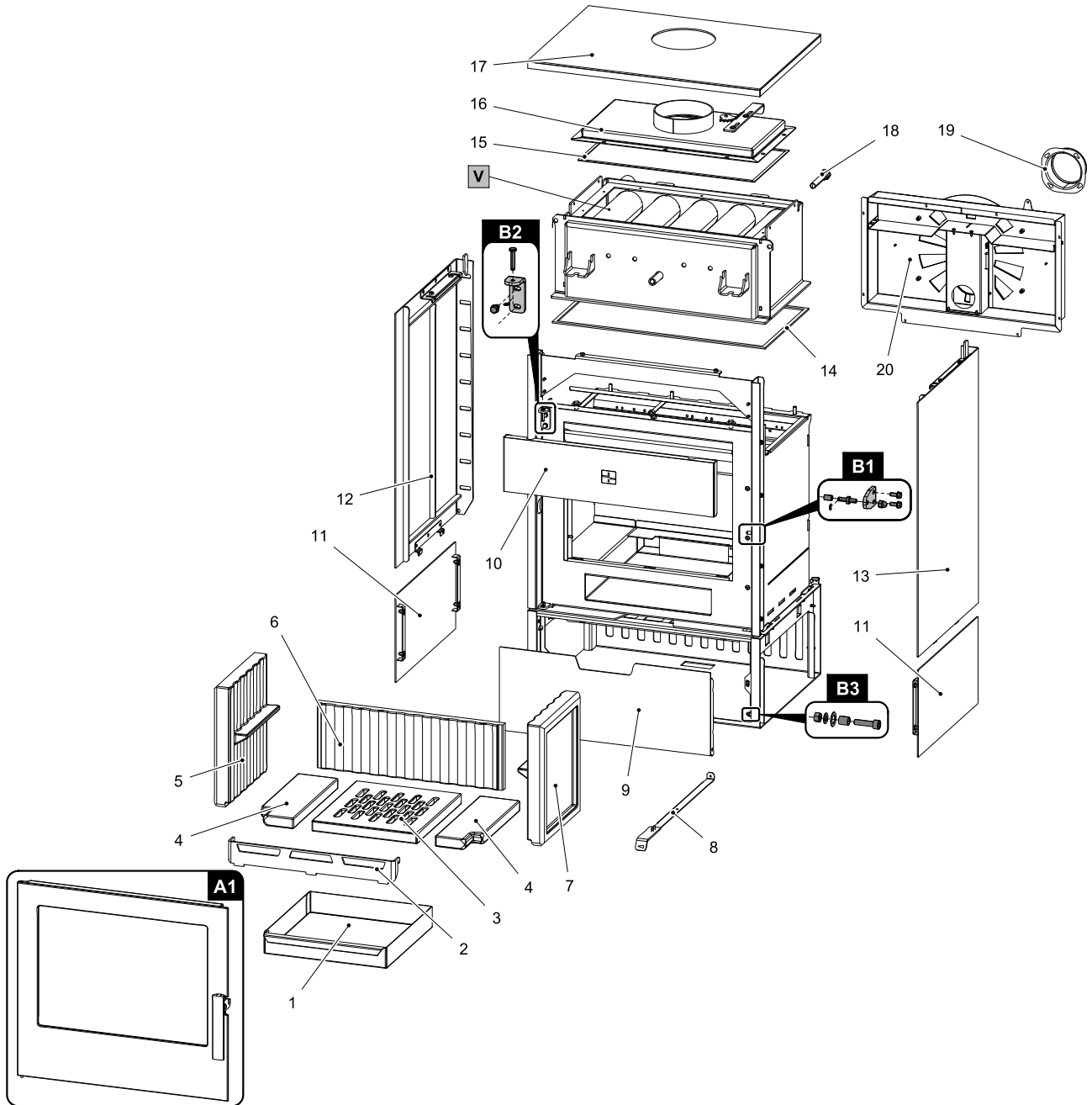
Technical description

GB



# 3. List of spare parts

## 3.1. Overall scheme of the model

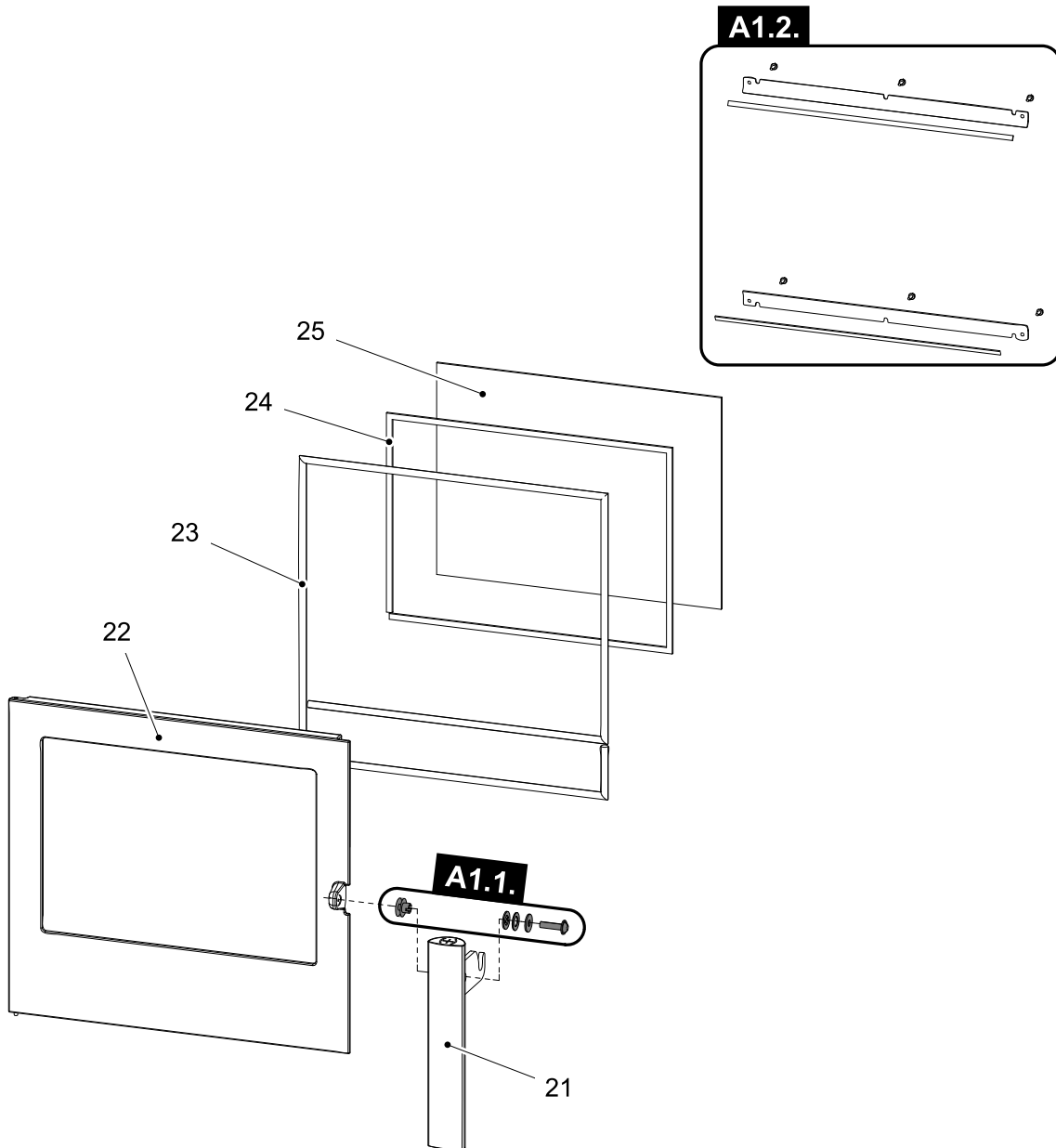


Overall scheme of the model			
Item	Name	Quantity	Number of goods
A1	Cast iron furnace door (complete)/black	1 piece	0619018155300
B1	Door lock (complete)	1 piece	0619018165007
B2	Strip connecting material (complete)	1 piece	0619018155005
B3	Strip connecting material (complete)	1 piece	0419018155421

1	Ashpan	1 piece	0432317005600
2	Protection/black	1 piece	0419018155006
3	Fire grate made of heat resistance concrete	1 piece	0619018155552
4	Refractory lining – bottom (30x114x345)	2 piece	0619018155554
5	Refractory lining – left (85x295x342)	1 piece	0619018155551
6	Refractory lining – rear (35x185x530)	1 piece	0619018155553
7	Refractory lining – right (85x295x342)	1 piece	0619018155511
8	Control drawbar/black	1 piece	0419018155615
9	Bottom door/black	1 piece	0419018155420
10	Front cover/black	1 piece	0419018155612
11	Side cover — bottom/black	2 piece	0419018155711
12	Side cover — left/black	1 piece	0419018155920
13	Side cover — right/black	1 piece	0419018155930
14	Sealing cord of the exchanger 10x4 mm	1520 mm	0040210040005
15	Sealing cord of the exchanger cover 10x4 mm	1850 mm	0040210040005
16	Exchanger cover/black	1 piece	0419018155035
17	Top cover	1 piece	0419018155910
18	Sensor holder	1 piece	0431317006050
19	External air input (Ø100)	1 piece	0088500050008
20	Air module	1 piece	0419018155500
V	Exchanger/black	1 piece	0419018205050



### 3.2. Detail A1

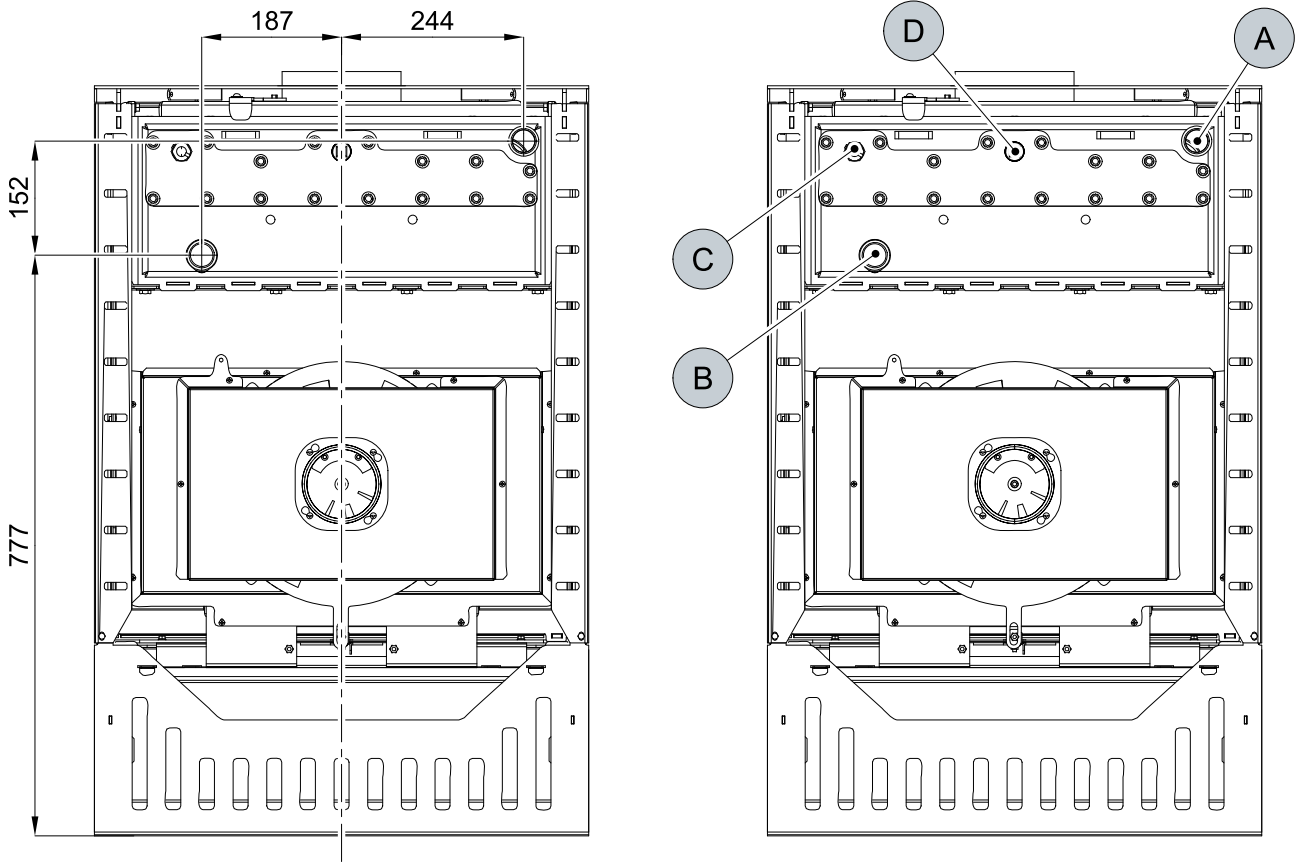


Detail A1			
Item	Name	Quantity	Number of goods
<b>A1.1. + 21</b>	Fire-box door lever lock (complete) + handle connecting material – set	1 piece	0420114017301
<b>A1.2.</b>	Glass holder – set/black	1 piece	0619018155303
<b>22</b>	Cast iron furnace door/black	1 piece	0619018155301
<b>23</b>	Door sealing cord 10 mm	2600 mm	0040300100005
<b>24</b>	Glass sealing cord 10x4 mm	1700 mm	0040210040005
<b>25</b>	Refractory glass (4x370x501)	1 piece	0619018155302

# 4. Connection of the exchanger

## 4.1. Option without a cooling loop

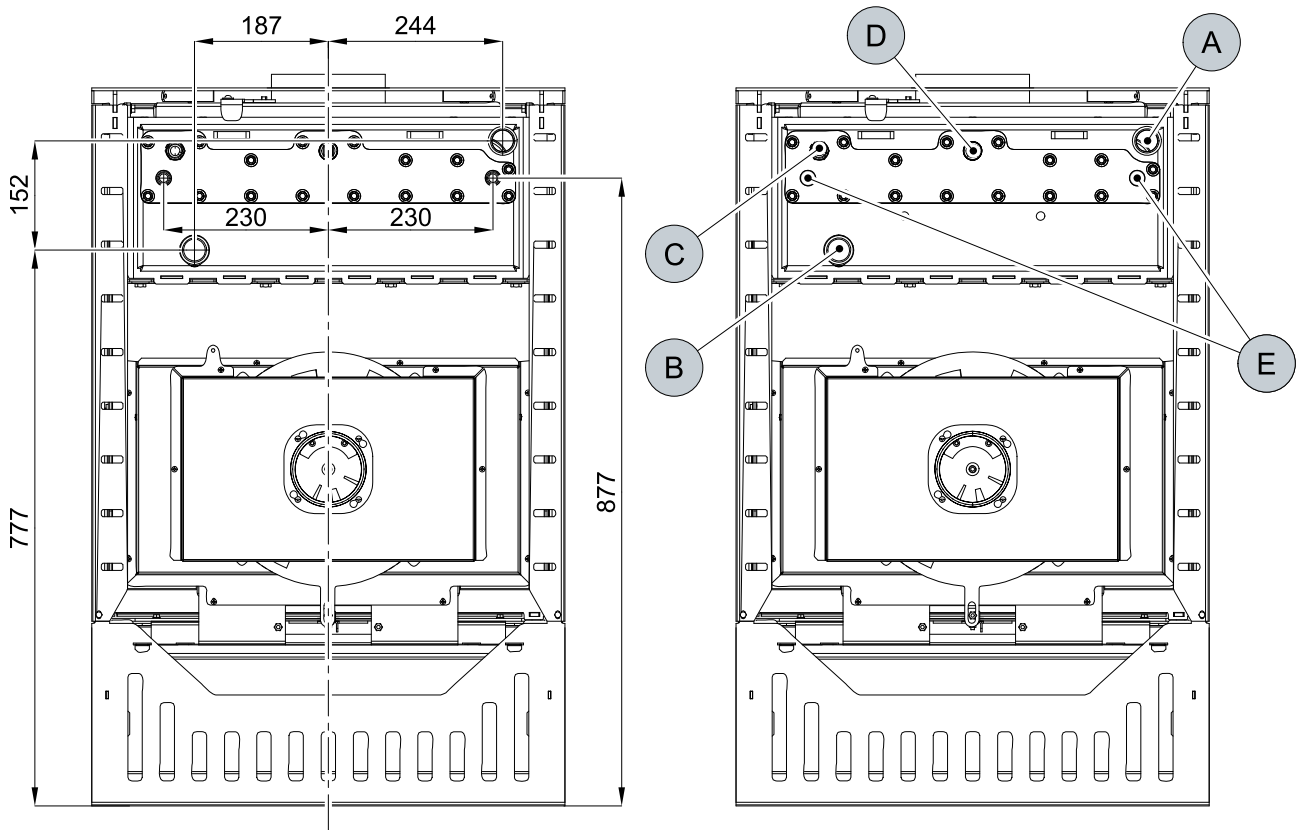
Connection of the exchanger



**GB**

Item	Name
A	Outlet of heating water (inside thread G1")
B	Intake of return water (inside thread G1")
C	Opening with a thermostatic sensor holder (inside thread G1/2")/circulation pump
D	Hole for thermostatic sensor cup (inside thread G1/2")/cooling loop

## 4.2. Option with a cooling loop



Item	Name
A	Outlet of heating water (inside thread G1")
B	Intake of return water (inside thread G1")
C	Opening with a thermostatic sensor holder (inside thread G1/2")/circulation pump
D	Hole for thermostatic sensor cup (inside thread G1/2")/cooling loop
E	Cooling loop inputs/outputs (outside thread G1/2")

# 5. Easy control

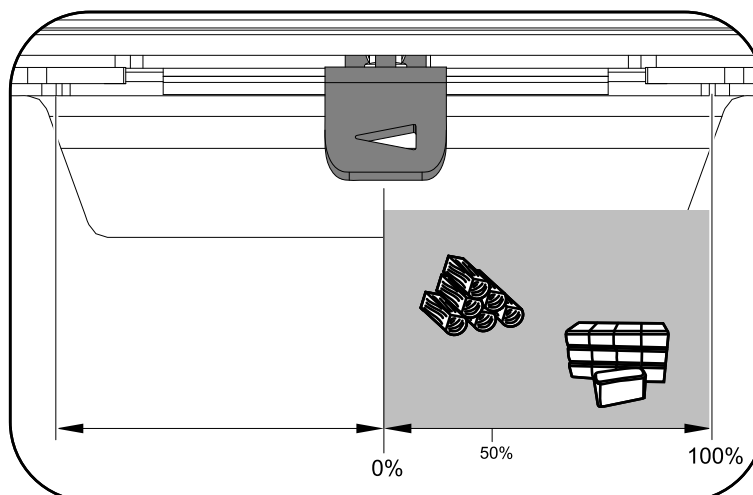
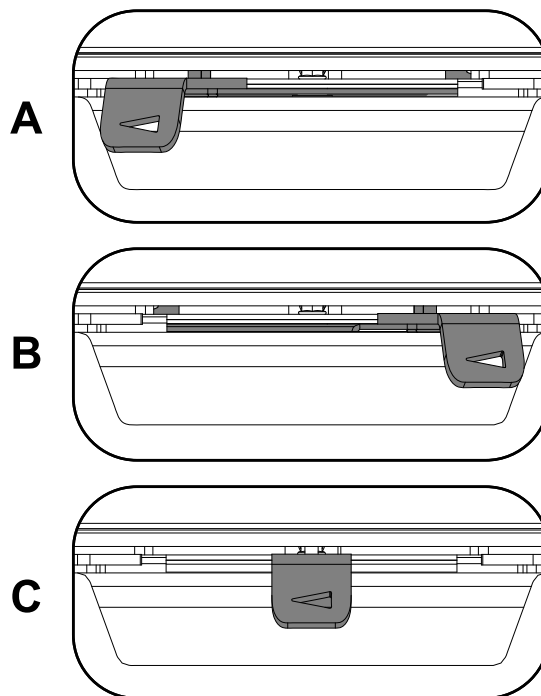
Control of all three air inputs (primary, secondary, tertiary) by means of one sole controller.

1. The controller is in the position intended for ignition (fig. A). All three air inputs are open (primary, secondary, tertiary).
2. The controller is in the position intended for burning of the stove after ignition (fig. B).
3. The controller is in the position designed to close air inputs (Fig. C). No input is open (primary, secondary, tertiary). This position is used only when the stove is out of operation, after finishing the heating process.



## WARNING

Air inputs may not be closed during the heating operation (Fig. C)! In an extreme case, there can occur an explosion in the stove followed by breaking of glass, blowing up of cinders across the room and breaking out of the fire.



# 6. Kindling vent



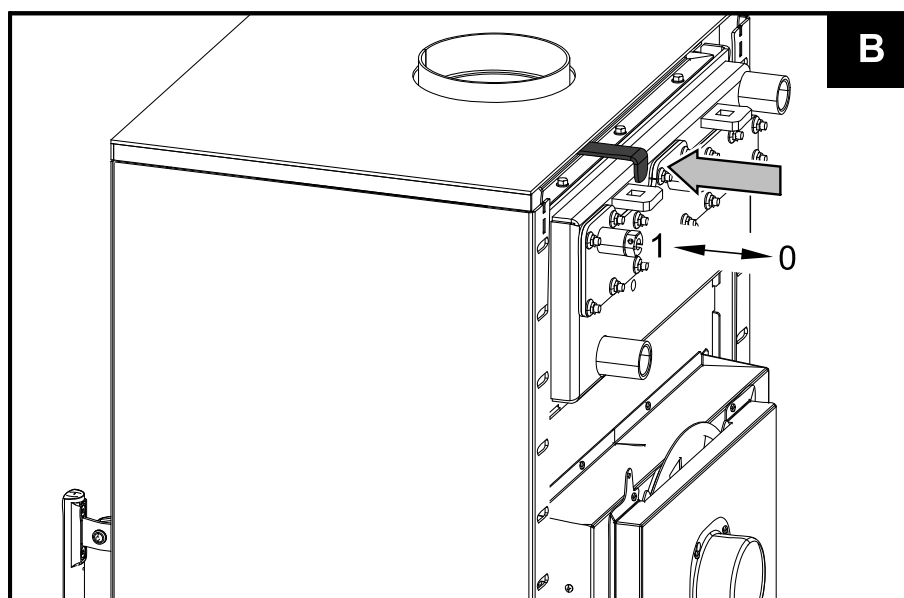
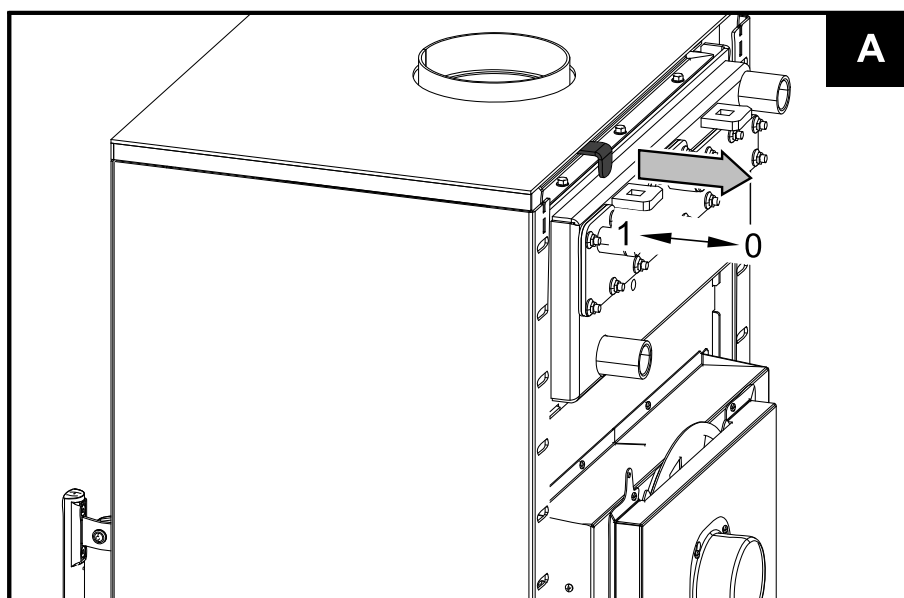
## IMPORTANT

When lighting the stove or if the stove has a weak draft, pull out the ignition flap controller to Position 0 (Fig. A). In this position, the ignition flap is open. During the heating, push the ignition flap controller to Position 1 (Fig. B). In this position, the ignition flap is closed.



## Note

Keep in mind that heating efficiency is significantly reduced, the fuel consumption increases and emission parameters deteriorate when heating with the kindling vent open for a prolonged period of time!



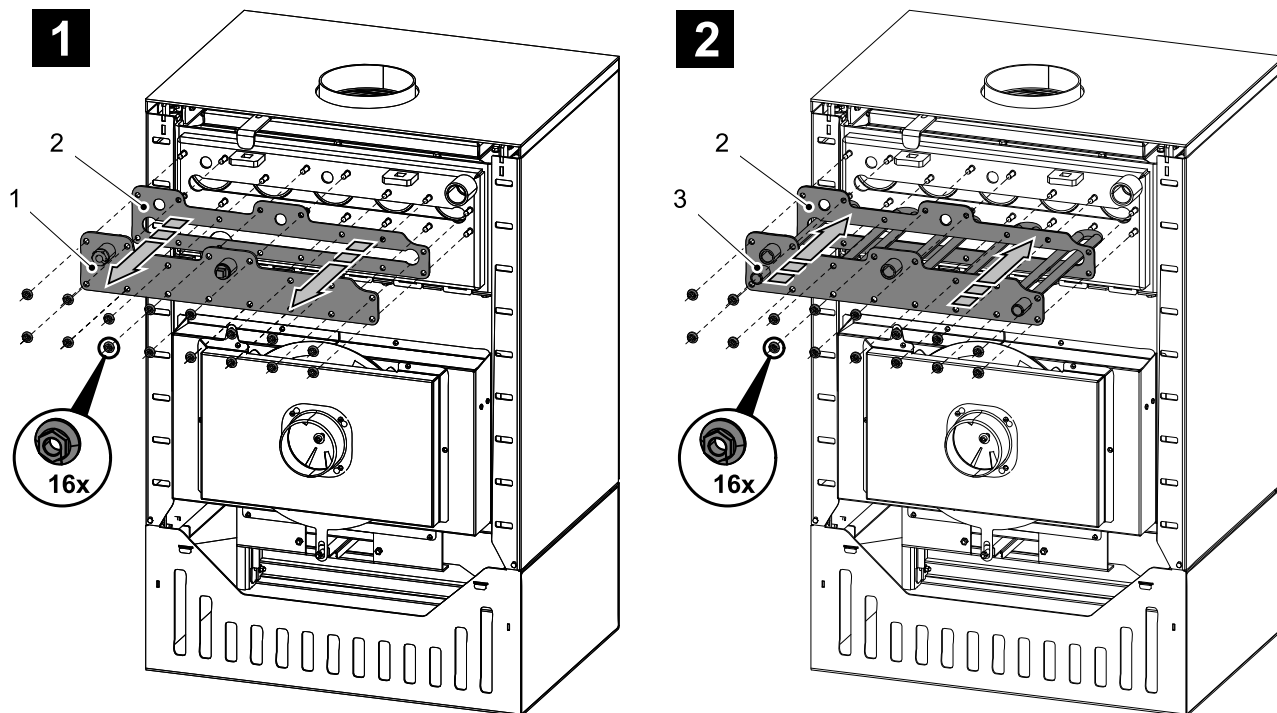
# 7. Installation of the coolant loop



## IMPORTANT

The cooling loop is supplied as a special accessory.

Installation of the coolant loop



Item	Name	Number of goods
1	Loop cover/black	0419018305023
2	Sealing	0419018305013
3	Coolant loop	0419018155018

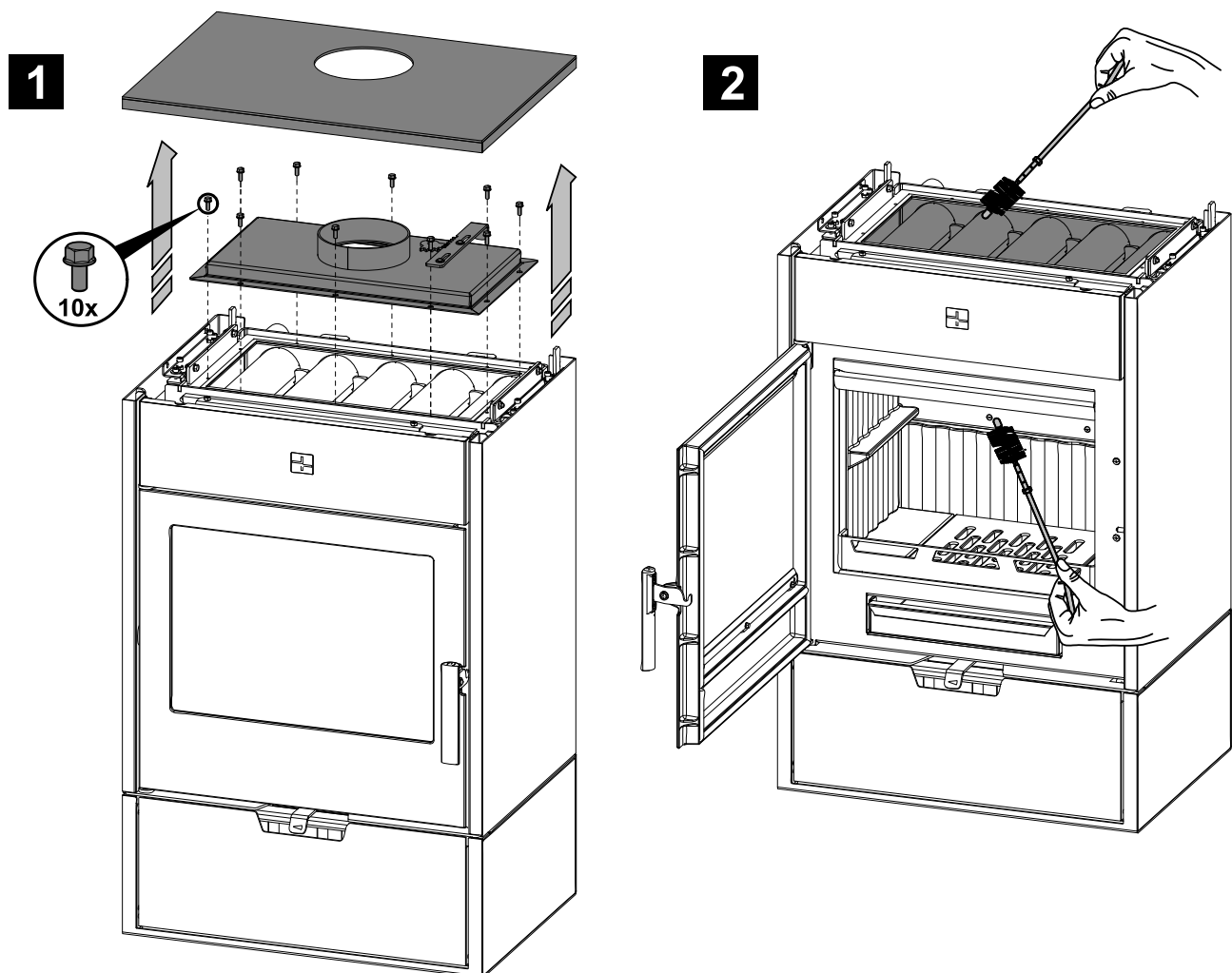
GB

# 8. Instructions for cleaning of the exchanger

## 8.1. Long-time cleaning of the exchanger

**!** CAUTION

Cleaning of the exchanger should be done from above after removal of the exchanger cover or from the bottom of the furnace, at least once a year (e.g. before the heating season).

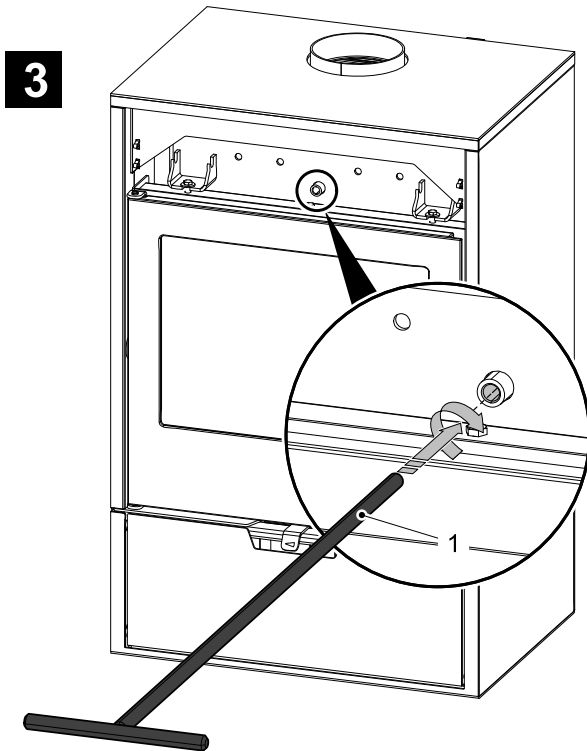
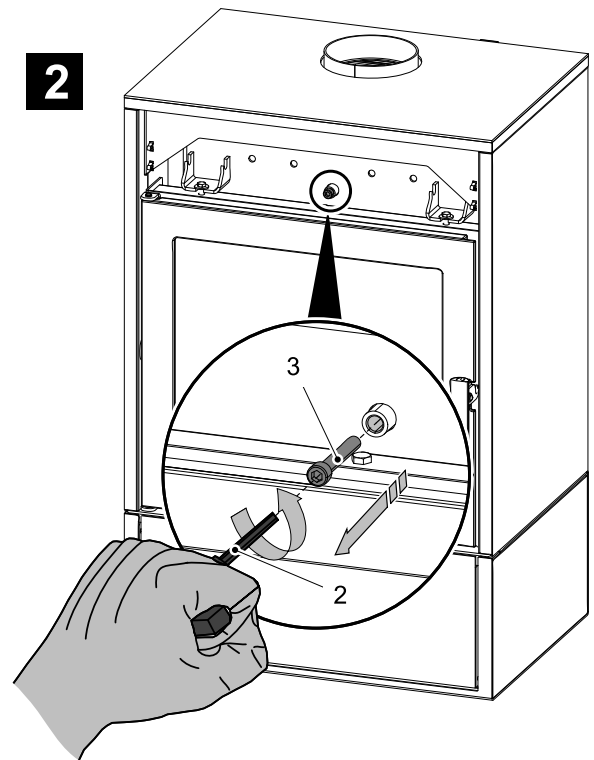
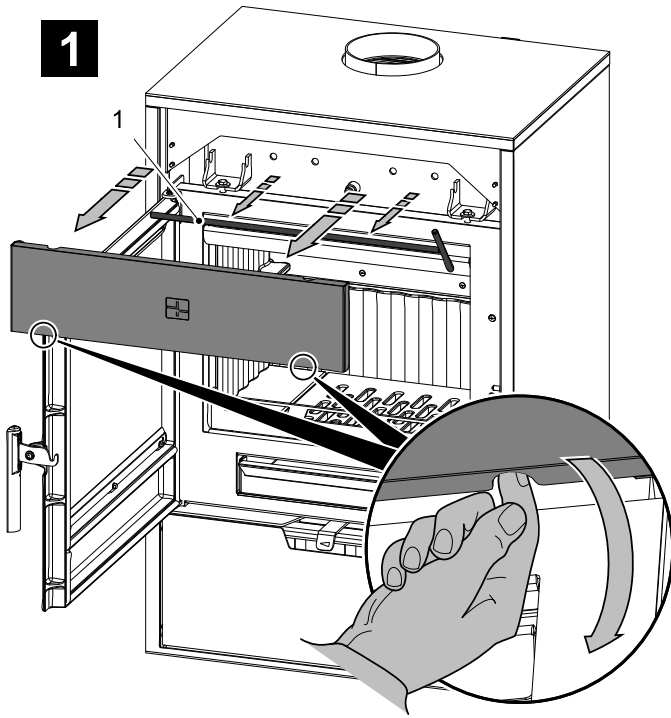


## 8.2. Short-time cleaning of the exchanger



### IMPORTANT

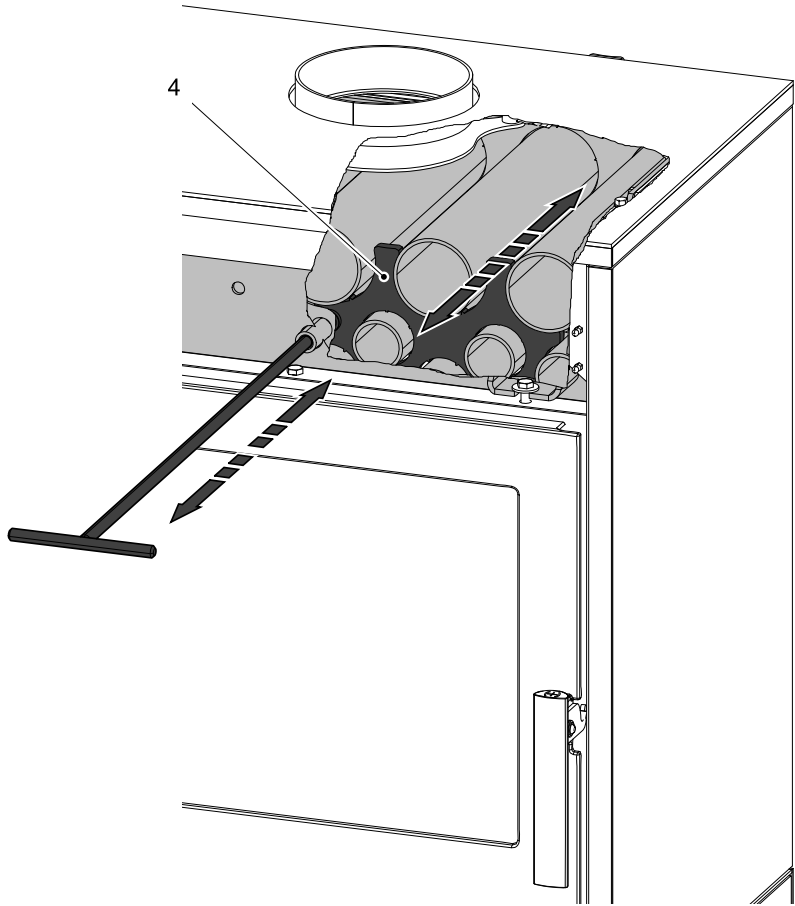
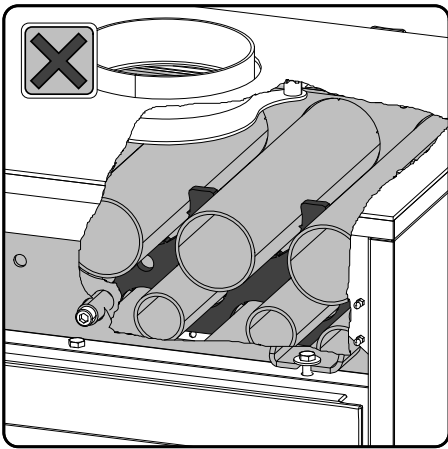
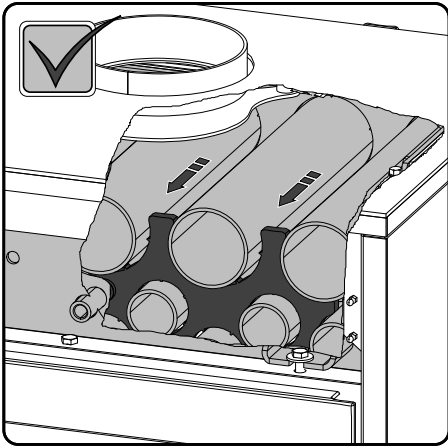
It is recommended to clean the surfaces with the wiper blades (Item 4, Fig. 4) at least once a week, or even more frequently depending on how often the furnace is used.



GB



**4**



Item	Name	Number of goods
1	Drawbar of the cleaning/black	0433317005063
2	Allen wrench 8 mm (forms part of the delivery)	9001700085002
3	Screw M10x100 (DIN 912)	0030031001005
4	Wiping blade	-



