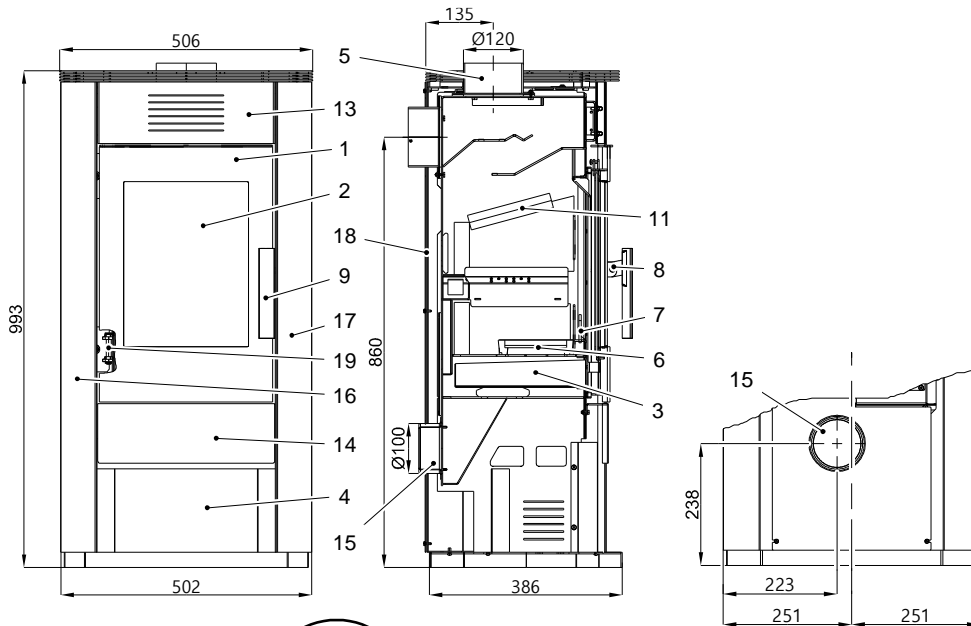


## **SALERNO II 204.14** **042041450000**

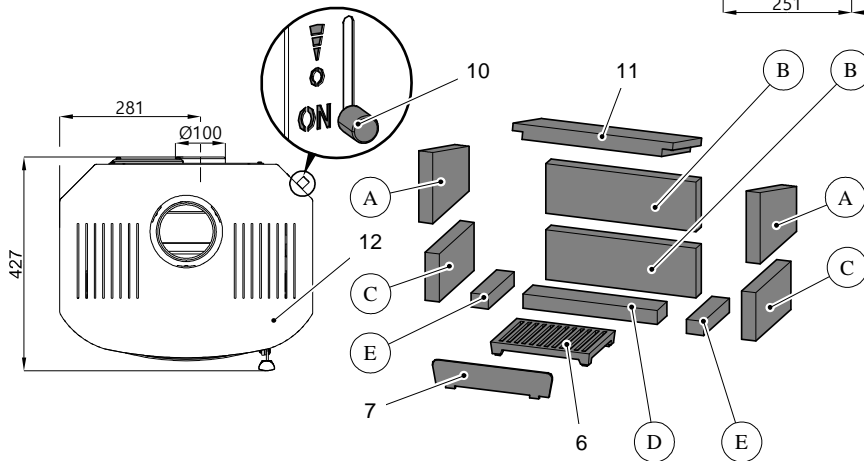


### **Suitable fuel:**

As concerns suitable fuel to be employed, see the chapter 2.2 Fuel in the General Manual of Operation.

### **Proper operation:**

As concerns the proper and safe operation of the fireplace stove, see the chapters 2. Description of the combustion process and 5. Operating instructions in the General Manual of Operation.



Control switch Easycontrol (item 10)		
Ignition	Heating	Closed

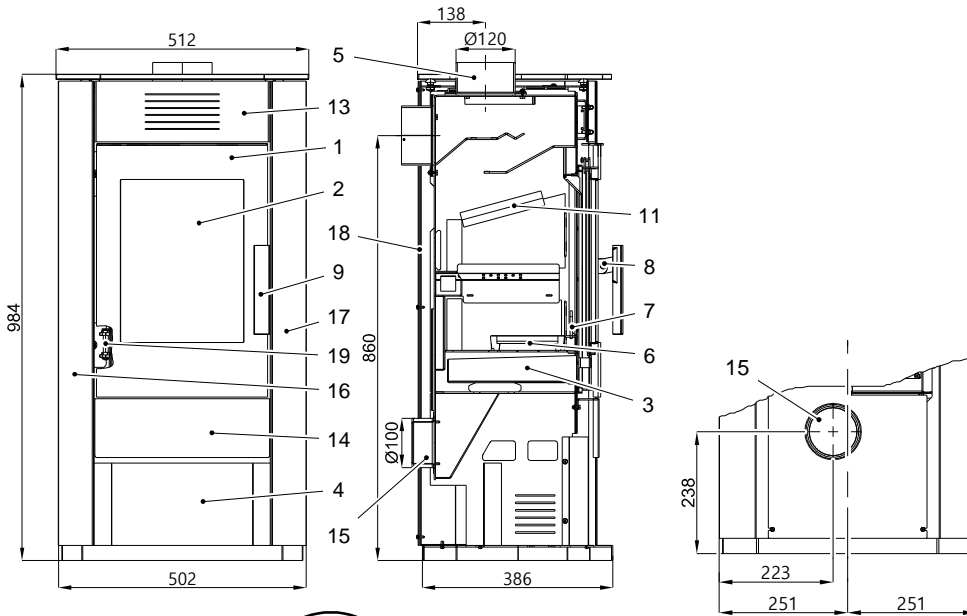
Article No.	Brick No.	Dimension
0420114005503	A	151x209x30
0420114005501	B	320x105x30
0420114005502	C	202x102x30
0420114005504	D	286x56x30
0420114005505	E	148x37x30

Fuel	Maximum fuel quantity	Control of air Ignition (10)	Control of air Shut (10) (Closed)	Control of air Heating (10)
Wood logs	2 logs (ca.1,0-1,5 kg)	Item down (10 minutes)	Item centre	Item up

E.T. No.	Pos.	Name	E.T. No.	Pos.	Name
0420414005300	1 -	Door of the fire/black	0420114005045	13 -	Upper screen/anthracite
0420414005305	2 -	Glass 362x270	0420414005064	14 -	Lower screen/anthracite
0420114007600	3 -	Ash-pan	0088500050008	15 -	Connection of external air Ø100
-	4 -	Room for storage of wood	0420414006160	16 -	L.H. lateral side /anthracite
0420114005060	5 -	Smoke flue Ø 120	0420414005040	17 -	R.H. lateral side/anthracite
0020100080005	6 -	Seating of the grate	0420414005075	18 -	Rear wall/anthracite
0420114007067	7 -	Protection 254x56	0420114005086	19 -	Spring of the door of the fire-box
0420114125321	8 -	Crank			
0420114005371	9 -	Hand pull of the door			
0429415006625	10 -	Control button Easy control			
0420114005511	11 -	Vermiculite 341x170x30	0041012120005		Sealing of the door D12 (1540 mm)
0420114005800	12 -	Covering board anthracite	0040225030005		Sealing of the glass 25x3 mm (1100 mm)

Technical data:		Salerno II 204.14	
Height	993 mm	Temperature of combustion products in the neck of the heat source	245°C
Width	502 mm	Minimum draft of the chimney	12 Pa
Depth without handles	386 mm	Minimum draft of the chimney at 0,8-times nominal heating output	10 Pa
Weight	93 kg	Volume stream of combustion products	3,6 g/s
Neck of the tube	120 mm	Fuel	Wood
Nominal heat output	4 kW	CO <sub>2</sub>	10,1%
Range of heat outputs	2,1-4,4 kW	Energy efficiency	84%
Checking No: EN 13240 RRF-40-14-3711			

## **SALERNO II 204.14** **042041458000**

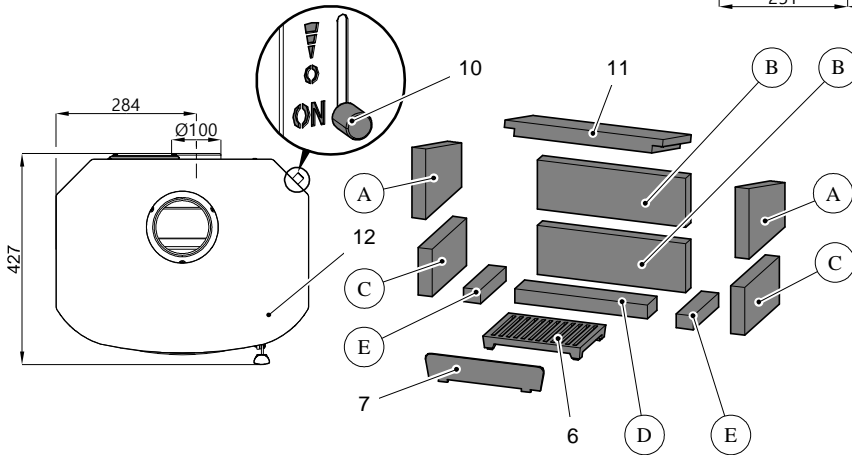


### **Suitable fuel:**

As concerns suitable fuel to be employed, see the chapter 2.2 Fuel in the General Manual of Operation.

### **Proper operation:**

As concerns the proper and safe operation of the fireplace stove, see the chapters 2. Description of the combustion process and 5. Operating instructions in the General Manual of Operation.



Control switch Easycontrol (item 10)		
Ignition	Heating	Closed

Article No.	Brick No.	Dimension
0420114005503	A	151x209x30
0420114005501	B	320x105x30
0420114005502	C	202x102x30
0420114005504	D	286x56x30
0420114005505	E	148x37x30

Fuel	Maximum fuel quantity	Control of air Ignition (10)	Control of air Shut (10) (Closed)	Control of air Heating (10)
Wood logs	2 logs (ca. 1,0-1,5 kg)	Item down (10 minutes)	Item centre	Item up

E.T. No.	Pos.	Name	E.T. No.	Pos.	Name
0420414025300	1 -	Door of the fire/black	0420114006045	13 -	Upper screen/black
0420414005305	2 -	Glass 362x270	0420414006064	14 -	Lower screen/black
0420114007600	3 -	Ash-pan	0088500050008	15 -	Connection of external air Ø100
-	4 -	Room for storage of wood	0420414005160	16 -	L.H. lateral side/black
0420114007060	5 -	Smoke flue Ø 120	0420414015040	17 -	R.H. lateral side/black
0020100080005	6 -	Seating off he grate	0420414006075	18 -	Rear wall/black
0420114007067	7 -	Protection 254x56	0420114005086	19 -	Spring of the door of the fire-box
0420114125321	8 -	Attachment of the hand pull of the door			
0420114005371	9 -	Hand pull off he door			
0429415006625	10 -	Control button Easy control			
0420114005511	11 -	Vermiculite 341x170x30	0041012120005		Sealing of the door D12 (1540 mm)
0420114005831	12 -	Glass cover	0040225030005		Sealing of the glass 25x3 mm (1100 mm)

Technical data:		Salerno II 204.14	
Height	984 mm	Temperature of combustion products in the neck of the heat source	245°C
Width	502 mm	Minimum draft of the chimney	12 Pa
Depth without handles	386 mm	Minimum draft of the chimney at 0,8-times nominal heating output	10 Pa
Weight	93 kg	Volume stream of combustion products	3,6 g/s
Neck of the tube	120 mm	Fuel	Wood
Nominal heat output	4 kW	CO <sub>2</sub>	10,1%
Range of heat outputs	2,1-4,4 kW	Energy efficiency	84%
Checking No: EN 13240 RRF-40-14-3711			