

HAAS
+
SOHN

Hestra ST

Equipment sheet
Fireplace stove

GB

Introduction

We thank you very much for purchasing our product!

The description of the heating device will inform you in detail about the design, technical specification and operation of the heating device. We recommend you to acquaint yourselves closely with these data. In this way, you will avoid possible faults during the proper assembly and operation.

You will find detailed conditions of installation and operation in General Manual of Operation (included in the scope of the delivery).

Notes in the text

GB



Of utmost importance there are the notes entitled **WARNING**. The notes entitled **WARNING** advise you on **serious danger of damage to the heating device or of an injury**.



The note entitled **Notice** advises you on possible damage to your heating device.



The note entitled **Important** calls your attention to the information important for the operation of your heating device.



The note itself calls your attention to the information important for the operation of your heating device in general.

Contents

1. Technical data	1
1.1. Suitable fuel, stoking amount of fuel	1
2. Fireplace stove dimensional drawing	2
3. Easy control	3
4. Overview of spare parts	4
4.1. Whole emplacement.....	4
4.2. Emplacement A1.....	6
4.3. Emplacement A2, A3, A4, A5.....	7

1. Technical data

	Block wood	
Achievable heat output	6.5 kW	
Nominal heat output	6 kW	
Energy efficiency	80 %	
Average concentration of CO at 13% O ₂	625 mg/Nm ³	412 mg/MJ
Average concentration of dust at 13% O ₂	19 mg/Nm ³	12 mg/MJ
Average concentration of NOx at 13% O ₂	95 mg/Nm ³	60 mg/MJ
Amount of combustion products at nominal output	5,6 g/s	
Temperature of combustion products in the smoke flue neck	330 °C	
Minimum draft of the chimney at nominal heat output	12 Pa	

1.1. Suitable fuel, stoking amount of fuel

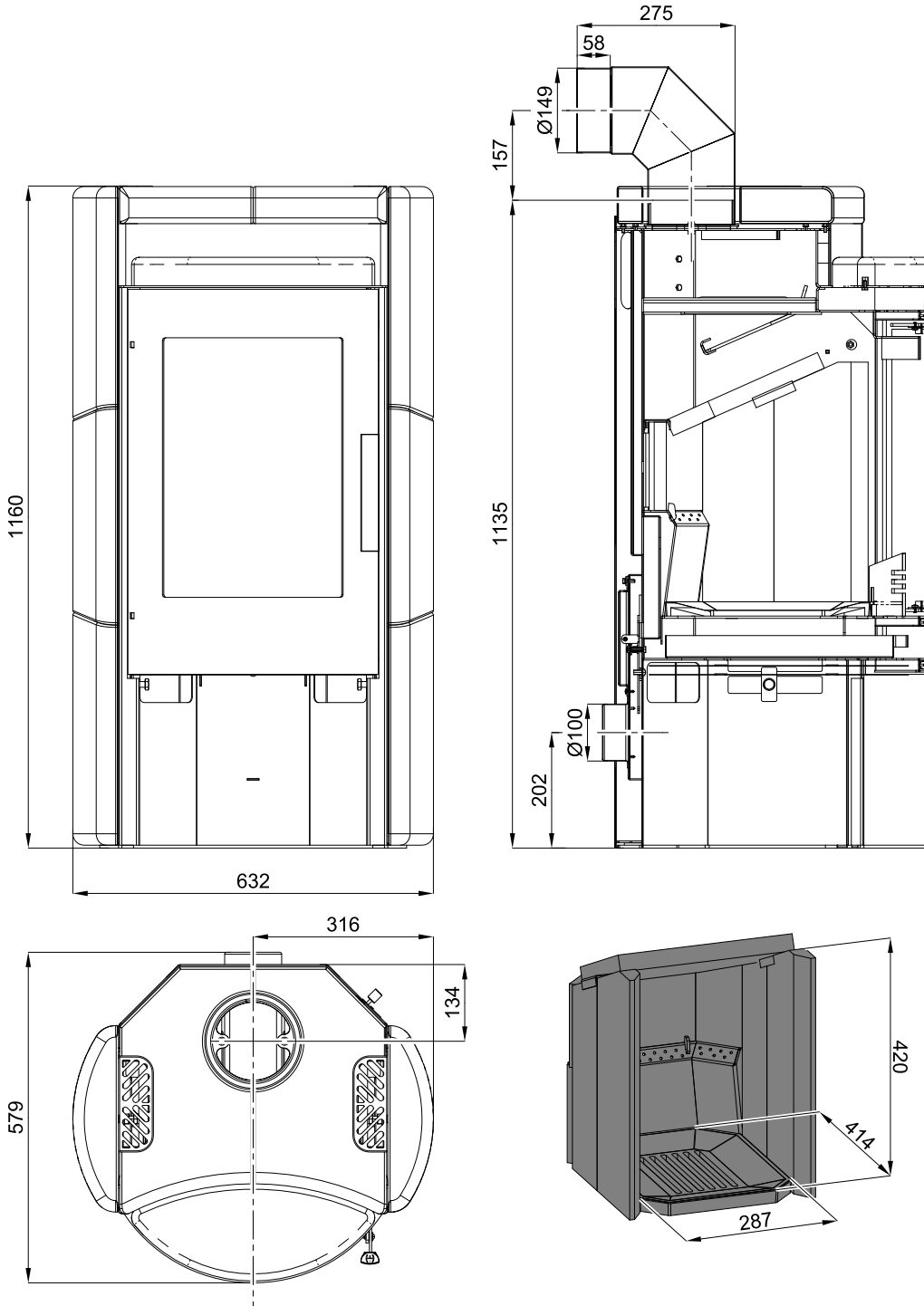
Fuel:	Max. stoking amount of fuel
Block wood:	2 - 3 logs (max. 2 kg)
Length of wood logs:	Max. 33 cm
Saw-dust briquettes (DIN51731):	—
Lignite briquette:	—



Note

When heating with wood stock, employ solely the types of wood which have been stored for two years and their residual humidity is 17 % at the most.

2. Fireplace stove dimensional drawing



3. Easy control

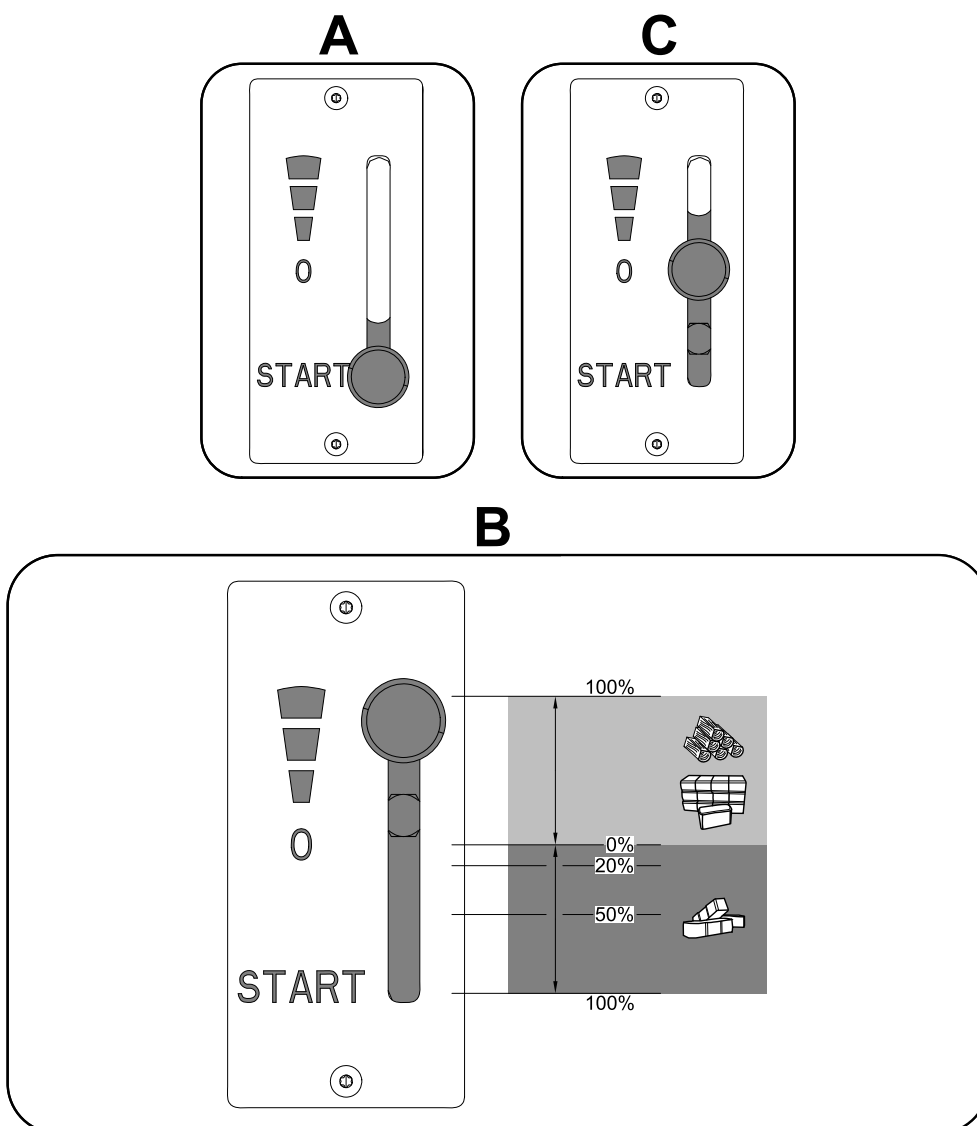
Control of all three air inputs - primary, secondary, tertiary - by means of one sole controller.

1. The controller is in the position intended for ignition (fig. A). All three air inputs are open (primary, secondary, tertiary).
2. The controller is in the position intended for burning of the stove after ignition (fig. B).
3. The controller is in the position designed to close air inputs (Fig. C). No input is open (primary, secondary, tertiary). This position is used only when the stove is out of operation, after finishing the heating process.



WARNING

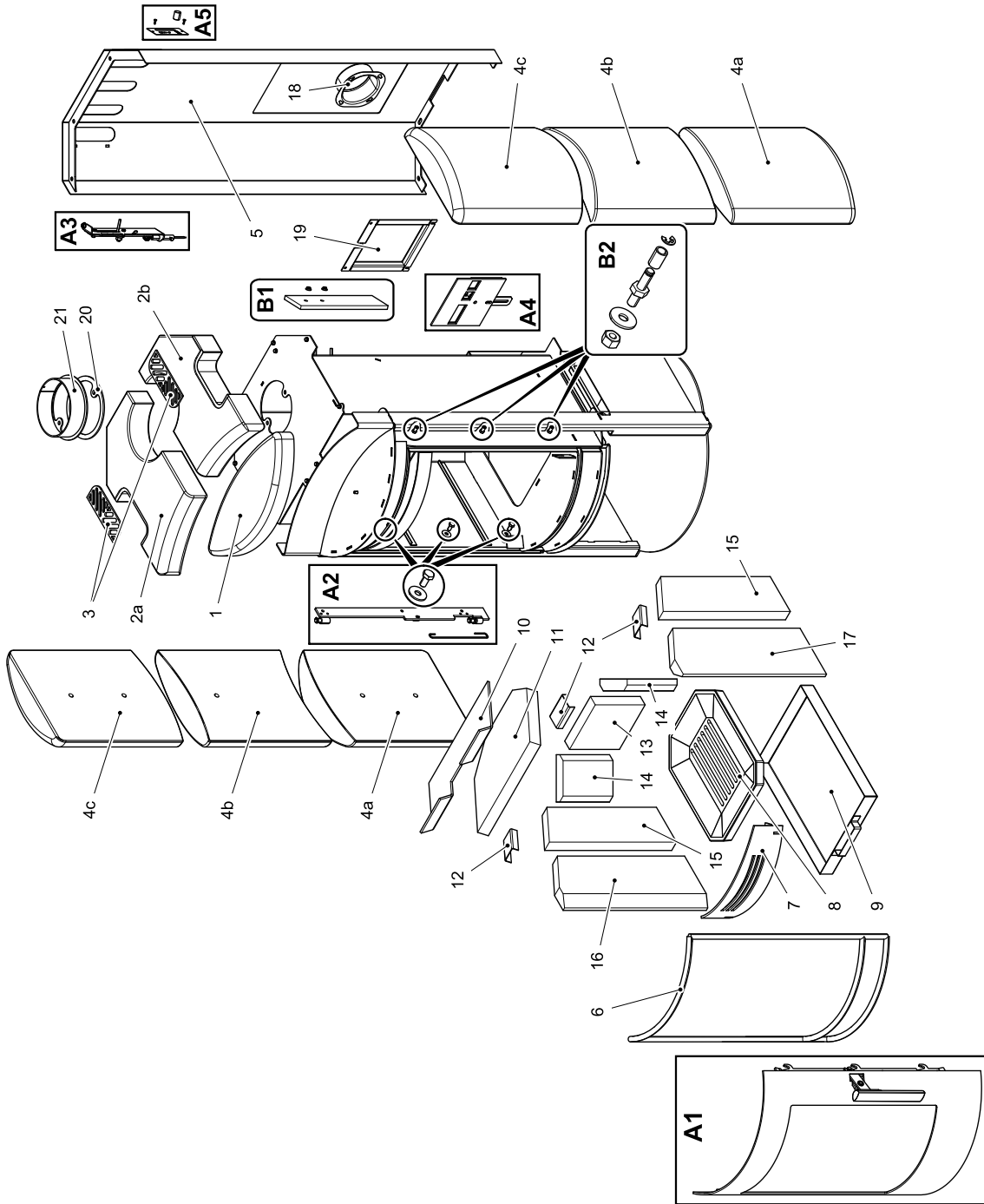
Air inputs may not be closed during the heating operation (Fig. C)! In an extreme case, there can occur an explosion in the stove followed by breaking of glass, blowing up of cinders across the room and breaking out of the fire.



4. Overview of spare parts

4.1. Whole emplacement

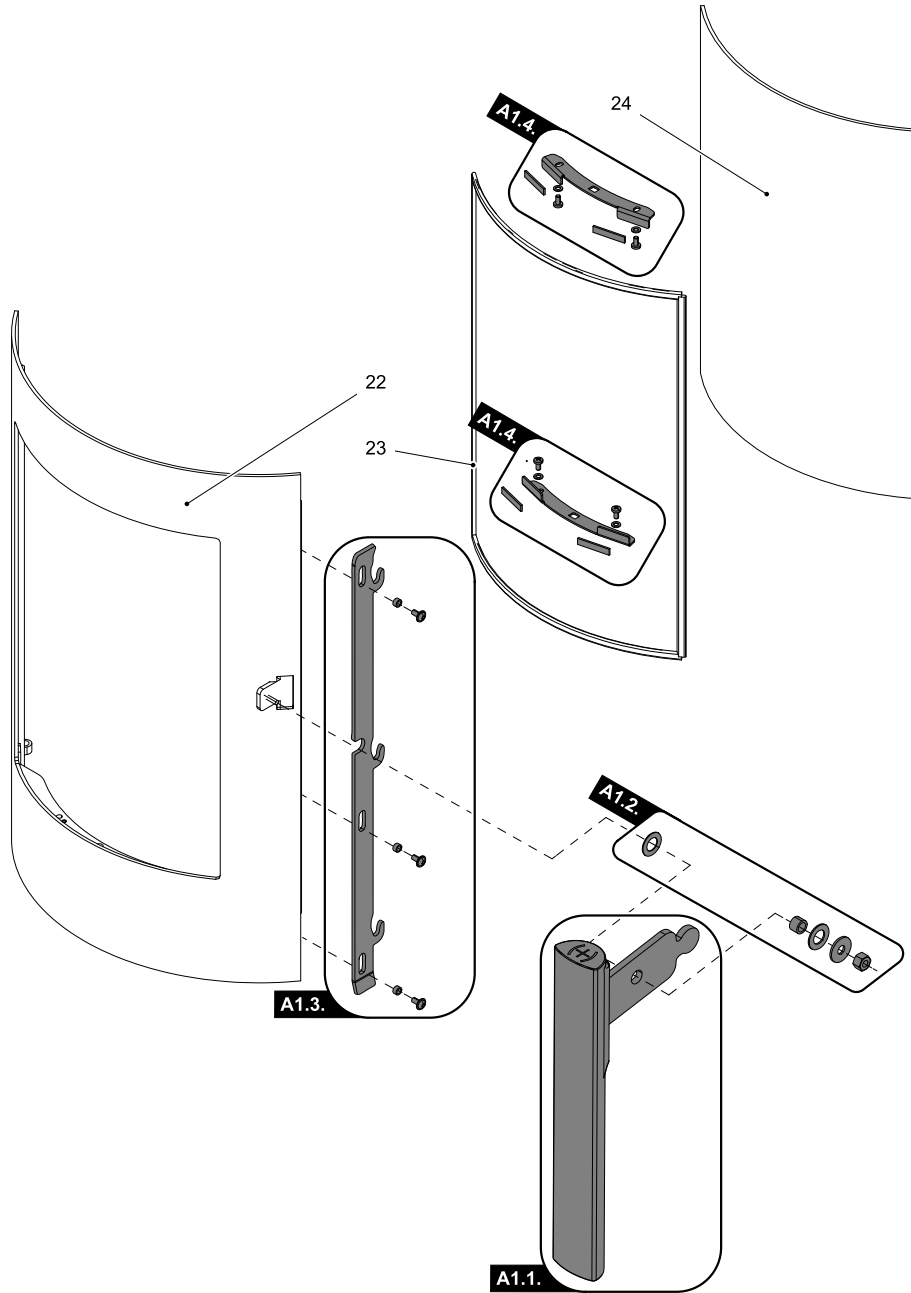
Overview of spare parts



GB

Item	Name	pcs	Spare part number
Whole emplacement			
A1	Fire-box door (complete)/black	1 pcs	0420915006300
A2	Fire-box door suspension (complete)/black	1 pcs	0420915007405
A3	Controller (complete)/Easycontrol	1 pcs	0420915005067
A4	Sliding valve (complete)	1 pcs	0420915005080
A5	Description (complete)	1 pcs	0429617006090
B1	Return metal sheet (complete)	1 pcs	0420915155008
B2	Pin+wheel (complete)	3 pcs	0420915005001
1	Warming compartment insert plate	1 pcs	0420915161130
2a	Cover plate left	1 pcs	0420915161111
2b	Cover plate right	1 pcs	0420915161110
3	Cover/black	2 pcs	0426915018001
4a	Lower Side panel	2 pcs	0420915161120
4b	Side panel	2 pcs	0420915161121
4c	Upper Side panel	2 pcs	0420915161120
5	Rear cover/black	1 pcs	0420915155110
6	Sealing of the door 14 mm	2420 mm	0040014140005
7	Pile grating/black	1 pcs	0420615006508
8	Seating of the grate/black	1 pcs	0020100070006
9	Ashpan	1 pcs	0420615005600
10	Upper return draft board	1 pcs	0420615006701
11	Lower return draft board	1 pcs	0050501320005
12	Stone holder/black	3 pcs	0420015107001
13	Stone 30x160x155	1 pcs	0420615005501
14	Stone 30x120x155	2 pcs	0420615005502
15	Stone 30x125x395	2 pcs	0420615005503
16	Stone 30x165x445	1 pcs	0420615005504
17	Stone 30x165x445	1 pcs	0420615005505
18	External air input (Ø100)	1 pcs	0088500050008
19	Shading/black	1 pcs	0420915006085
20	Smoke flue sealing	1 pcs	0420915155004
21	Smoke flue neck/black	1 pcs	0420915165001

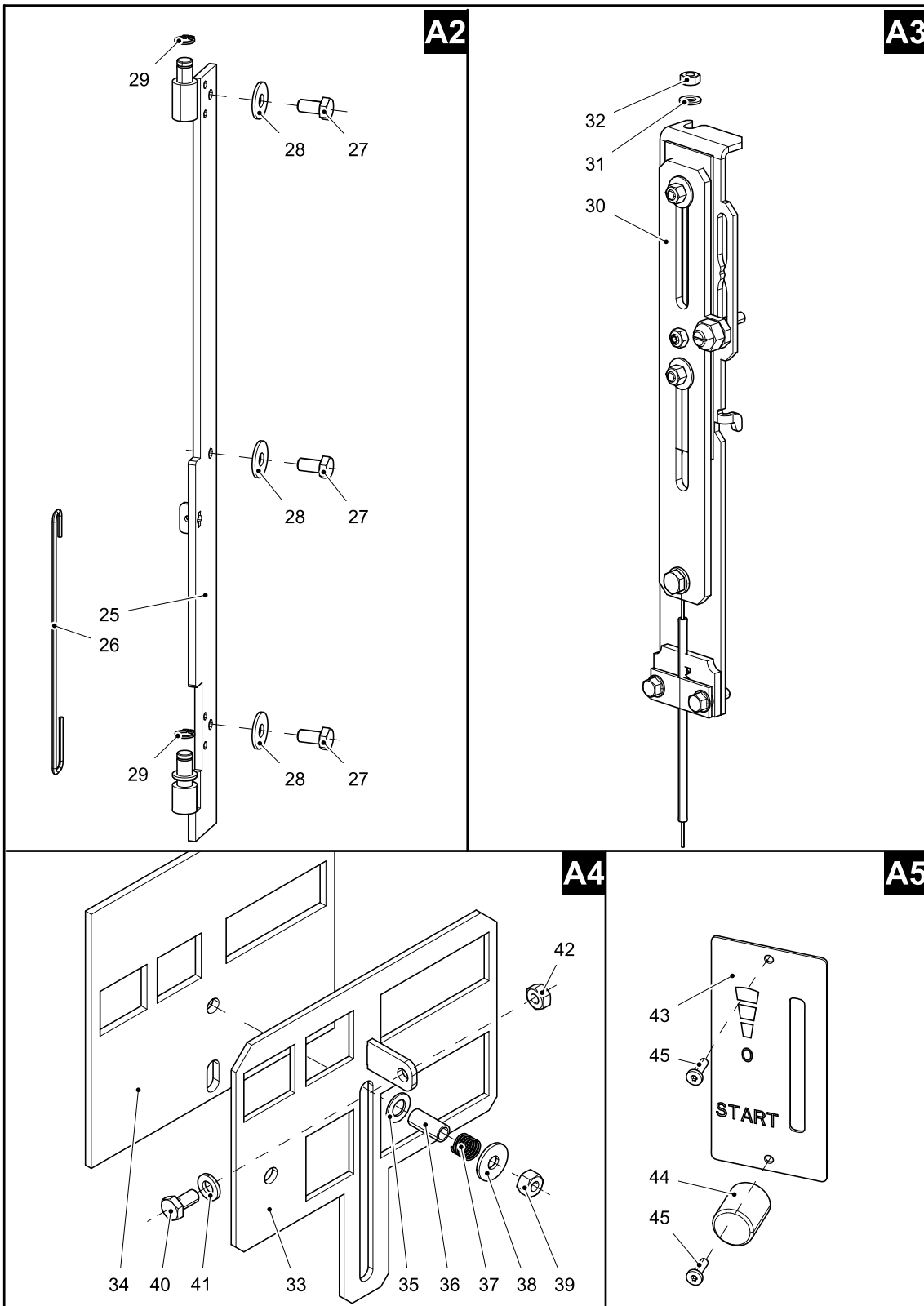
4.2. Emplacement A1



GB

Item	Name	pcs	Spare part number
Emplacement A1			
A1.1.	Hand pull with hand pull attachment	1 pcs	0420915175302
A1.2.	Set of door screw coupling	1 pcs	0420915175305
A1.3.	Set of rail for door closing	1 pcs	0420915175304
A1.4.	Set of glass holders	2 pcs	0420915006004
22	Fire-box door (weldment)/black	1 pcs	—
23	Glass sealing 25x3 mm	1650 mm	0040225030005
24	Door glass (4xR269x361.6x490)	1 pcs	0420615005304

4.3. Emplacement A2, A3, A4, A5



Item	Name	pcs
Emplacement A2		
25	Door suspension	1 pcs
26	Fire-box door spring	1 pcs
27	Screw M8x16 DIN 933	3 pcs
28	Annex 8.4 DIN 9021A	3 pcs
29	Locking washer 10 DIN 471	2 pcs
30	Locking screw M6x8 DIN 913	4 pcs
Emplacement A3		
31	Controller/Easycontrol	1 pcs
32	Annex 5.3 DIN 125	1 pcs
33	Nut M5 DIN 934	1 pcs
Emplacement A4		
34	Sliding valve	1 pcs
35	Sliding valve sealing	1 pcs
36	Annex 8 DIN 988	1 pcs
37	Controller bushing	1 pcs
38	Spring bushing	1 pcs
39	Annex 6.4 DIN 9021A	1 pcs
40	Nut M6 DIN 980V	1 pcs
41	Screw M6x12 with hole DIN 933	1 pcs
42	Annex 6.4 DIN 125	1 pcs
43	Nut M6 DIN 934	1 pcs
Emplacement A5		
44	Description	1 pcs
45	Controller button	1 pcs
46	Screw M3x10 BN 9524	2 pcs