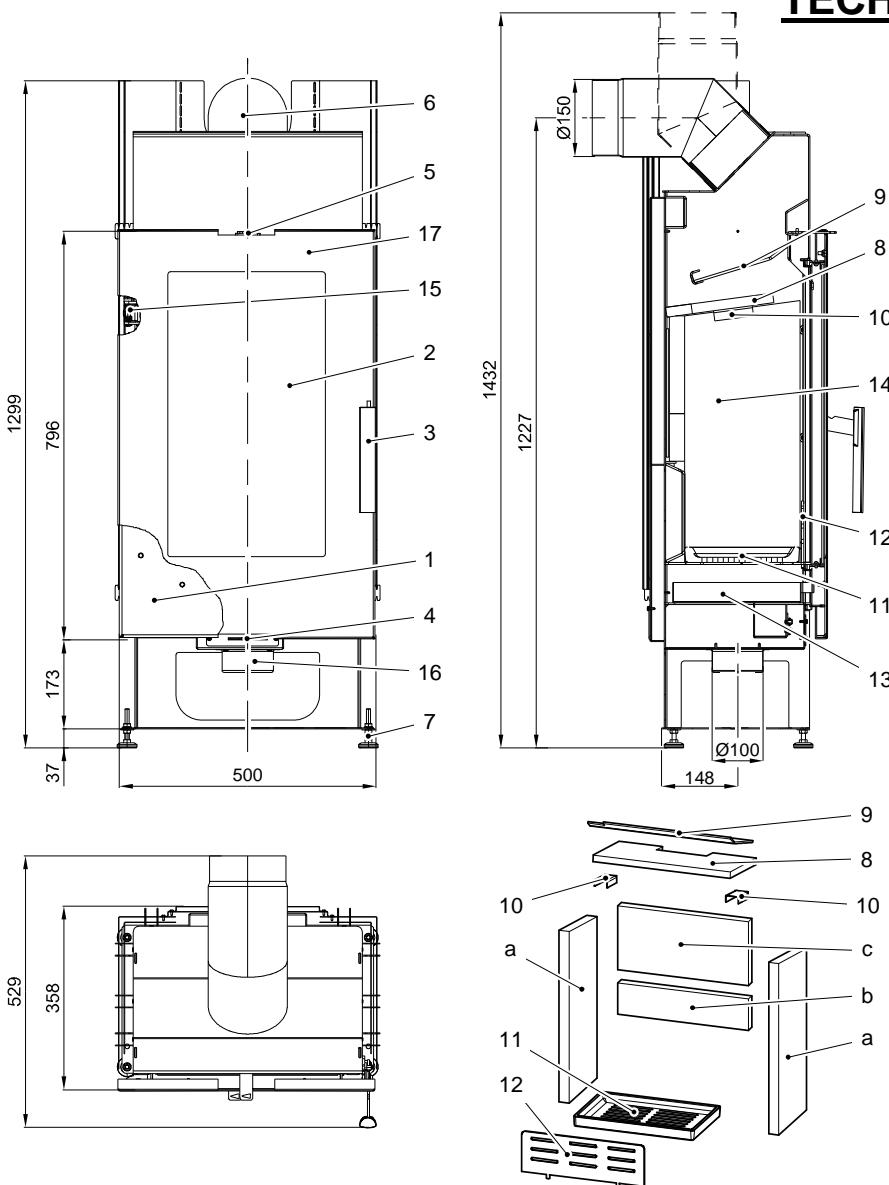


## TECHNICAL SHEET Pinus AL 042181785000



### Suitable fuel:

As concerns suitable fuel to be employed, see the chapter 2.2 **Fuel** in the General Manual of Operation.

### Proper operation:

As concerns the proper and safe operation of the fireplace stove, see the chapters 2. **Description of the combustion process** and 5. **Operating instructions** in the General Manual of Operation.

Goods No.	Position	Dimension
0601800705501	a	510x225x30
0421817805502	b	390x93x30
0601800705503	c	390x190x30

Fuels	Maximum fuel quantity	Primary air damper (Pos. 4) (Air flow through the grating)	Secondary air damper (pos. 5)
Wood billets, wood briquettes:	2-3 billets (max. 2– 2,5 kg)	For 10 minutes: Open, then closed	Open 100%

Goods No.	Pos.	Name	Goods No.	Pos.	Name
0421817815300	1	Fire chamber door	0020100100007	11	Grate 360x224
0601800705305	2	Door glas 583x340	0421817805007	12	Protection 365x132
0425317035302	3	Door handle	0433017005600	13	Ash pan
-	4	Primary air damper	-	14	Vermiculite
-	5	Secondary air damper	0088400040005	15	Spring of door
0601800706050	6	Smoke flue neck	-	16	External intake of air (Ø100)
0089000020015	7	Adjustable foot	0601800715316	17	Door of the fire-box enamelled
0421817805801	8	Lower lip 410x210	0040014140005	-	Sealing of the door 14 mm
0421817807701	9	Upper lip	0040210040005	-	Glass sealing 10x4 mm
0416315117501	10	Holder of the fire-clay			

Technical data:		Pinus AL	
Height:	1299 mm	Temperature of combustion products in the neck of the heat source:	290°C
Width:	500 mm	Minimum draft of the chimney:	12 Pa
Depth without handles:	358 mm	Minimum draft of the chimney at 0,8-times nominal heating output:	10 Pa
Weight:	102 kg	Volume stream of combustion products:	7,2 g/s
Neck of the tube:	150 mm	Fuel:	Wood Wood briquettes
Nominal heat output:	8 kW	CO <sub>2</sub> :	9,3% 9,4%
Range of heat outputs:	3,1-8,8 kW	Energy efficiency:	80,5% 80,5%
Checking No.:	EN 13240		