

HAAS
+
SOHN

Nordby

Equipment sheet
Fireplace stove

GB

0422017501400d

Introduction

We thank you very much for purchasing our product!

The description of the heating device will inform you in detail about the design, technical specification and operation of the heating device. We recommend you to acquaint yourselves closely with these data. In this way, you will avoid possible faults during the proper assembly and operation.

You will find detailed conditions of installation and operation in General Manual of Operation (included in the scope of the delivery).

Notes in the text

GB



Of utmost importance there are the notes entitled **WARNING**. The notes entitled **WARNING** advise you on **serious danger of damage to the heating device or of an injury**.



The note entitled **Notice** advises you on possible damage to your heating device.



The note entitled **Important** calls your attention to the information important for the operation of your heating device.



The note itself calls your attention to the information important for the operation of your heating device in general.

Contents

1. Technical data	1
1.1. Suitable fuel, stoking amount of fuel	1
2. List of spare parts	2
2.1. Basic version (without a box for wood)	2
2.2. Extended version (with a box for wood)	3
2.3. Spare parts for the fire-box	4
3. Dimensional drawing	5
4. Easy control	6
5. Conversion of the smoke flue neck	7

1. Technical data

	Block wood
	Nominal output
Achievable heat output	6,3 kW
Nominal heat output	6 kW
Testing standard	EN 13240
Energy efficiency	80 %
Average concentration of CO at 13% O ₂	0,08 %
Average concentration of CO at 13% O ₂	1000 mg/Nm ³
Average concentration of dust at 13% O ₂	20 mg/Nm ³
Average concentration of NOx at 13% O ₂	101 mg/Nm ³
Average concentration of OGC at 13% O ₂	51 mg/Nm ³
Average concentration of CO at 0% O ₂	700 mg/MJ
Average concentration of dust at 0% O ₂	13 mg/MJ
Average concentration of NOx at 0% O ₂	67 mg/MJ
Average concentration of OGC at 0% O ₂	31 mg/MJ
Amount of combustion products at nominal output	6,2 g/s
Temperature of combustion products in the smoke flue neck	294 °C
Minimum draft of the chimney at nominal heat output	11 Pa

1.1. Suitable fuel, stoking amount of fuel

Fuel:	Max. stoking amount of fuel
Wood stock:	2 logs (max. 1,5 kg)
Length of wood logs:	Max. 33 cm
Saw-dust briquettes (DIN51731):	1 sawdust briquette (max. 1,4 kg)
Lignite briquette:	1 lignite briquette (max. 1,6 kg)



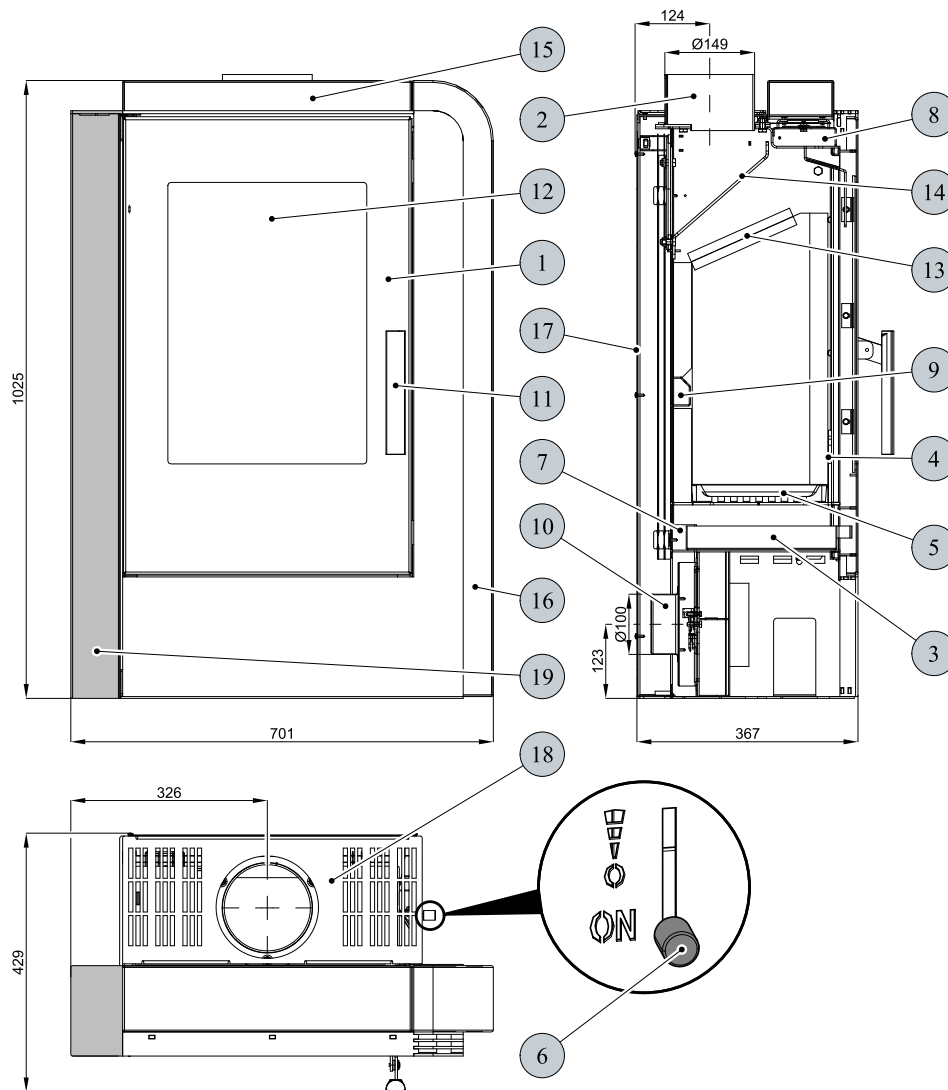
Note

When heating with wood stock, employ solely the types of wood which have been stored for two years and their residual humidity is 17 % at the most.

2. List of spare parts

2.1. Basic version (without a box for wood)

List of spare parts



GB

Item	Name	Number of the spare part
1	Door of fire-box/black	0422017005300
2	Smoke flue neck/black	0422017005049
3	Ash pan	0433017005600
4	Pile grating/black	0422017005007
5	Seating of the grate/black	0020100100007
6	Control button Easy control	0420915005625
7	Intake of primary air	—
8	Intake of secondary air	—
9	Tertiary air output	—
10	External air input (Ø100)	0088500050008
11	Set of door handles	0429415005318
12	Refractory glass (360x492)	0422017005305
13	Lower return board of the draft (30x185x390)	0422017005701

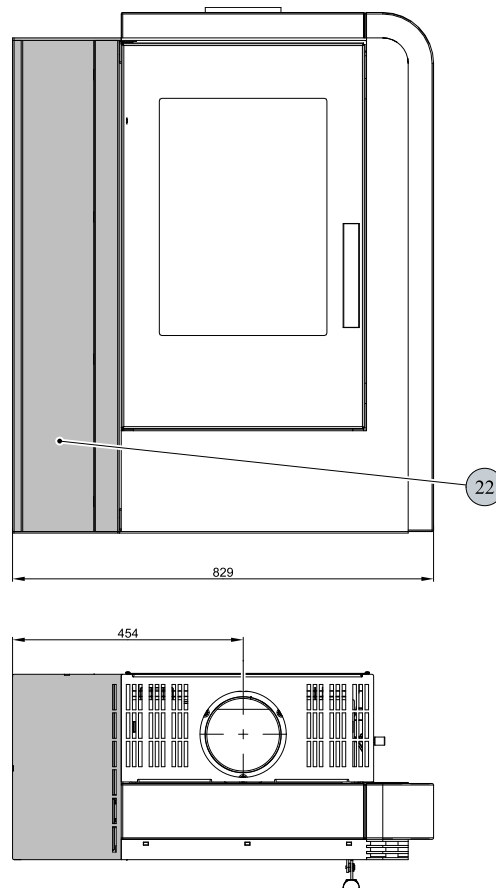
14	Upper return board of the draft (4x262x390)	0422017005702
15	Upper lining/antique soap-stone	0422017016160
15	Upper lining/antique soap-stone sandblast	0422017017160
15	Upper lining/Wood stone	0422017006160
15	Upper lining/serpentino (greystone)	0422017026160
15	Upper lining/denim blue	0422017565160
16	Lateral lining/antique soap-stone	0422017016161
16	Lateral lining/antique soap-stone sandblast	0422017017161
16	Lateral lining/Wood stone	0422017006161
16	Lateral lining/serpentino (greystone)	0422017026161
16	Lateral lining/denim blue	0422017565161
17	Rear cover	0422017005031
18	Lid/black	0422017005810
19	Lateral body	0422017005170
—	Sealing cord of the door 14 mm (2180 mm)	0040014140005
—	Sealing cord of the glass 10x4 mm (1700 mm)	0040210040005
—	Sealing cord of glass holders 8x2 mm (240 mm)	0040208020006

2.2. Extended version (with a box for wood)



Note

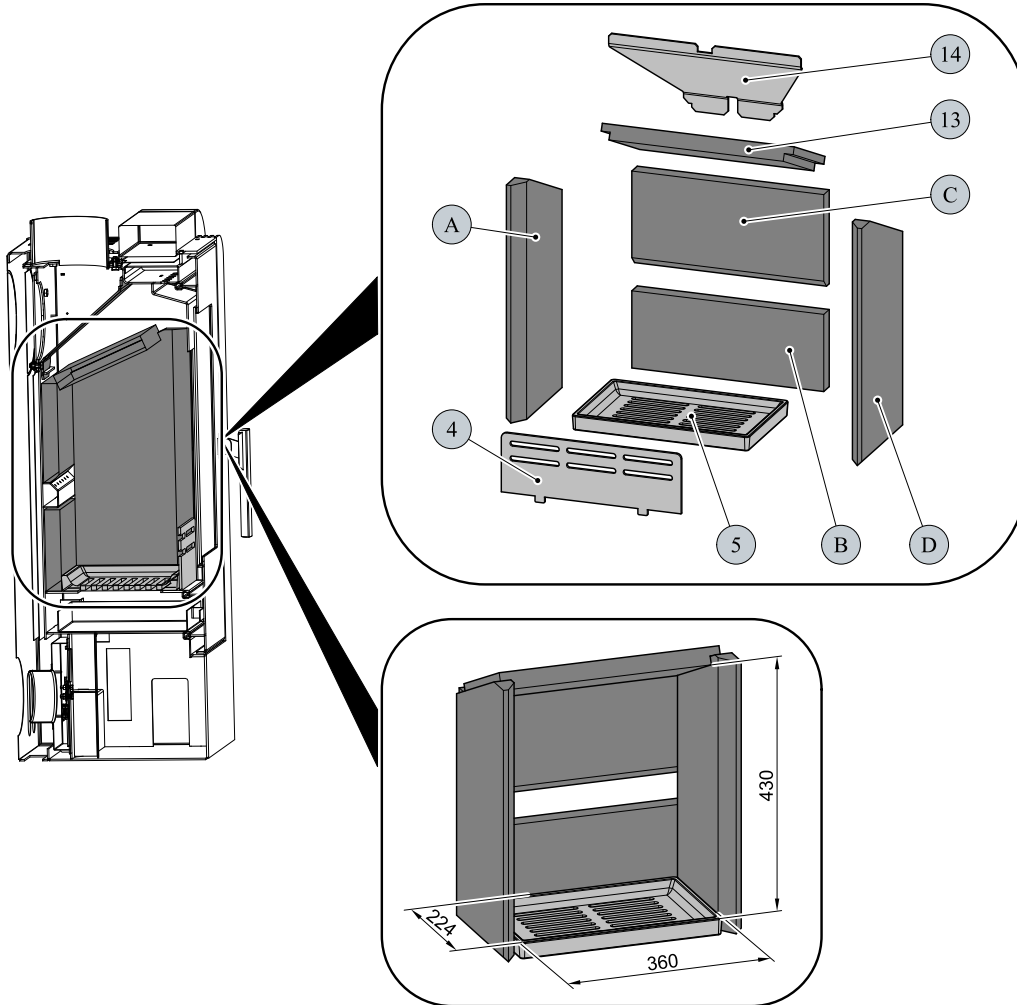
The box for wood comes is delivered as optional accessory.



Item	Name	Number of the spare part
22	Box for wood	042201760000

2.3. Spare parts for the fire-box

List of spare parts



GB

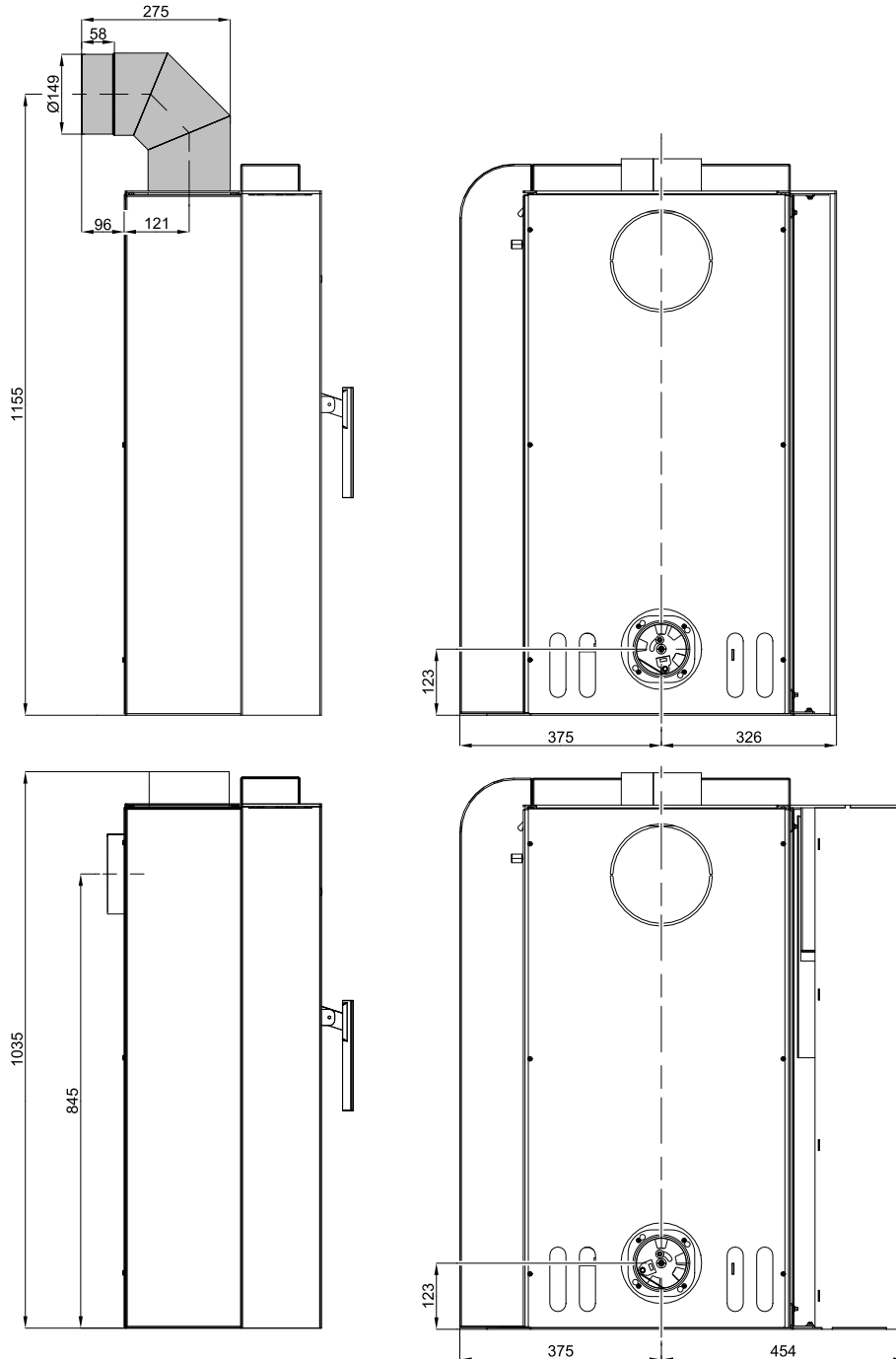
Item	Name	Number of the spare part
4	Pile grating/black	0422017005007
5	Seating of the grate/black	0020100100007
13	Lower return board of the draft (30x185x390)	0422017005701
14	Upper return board of the draft (4x262x390)	0422017005702
A	Fire-clay 30x225x480	0422017005501
B	Fire-clay 30x156x410	0422017005502
C	Fire-clay 30x190x410	0422017005503
D	Fire-clay 30x225x480	0422017005504

3. Dimensional drawing



Note

The knee-piece of exhaust of combustion products is delivered as optional accessory.



Dimensional drawing

GB

Minimum distances from inflammable construction parts:	In the rear: with the smoke flue tube insulated according to DIN EN 1856-2 T400 N1D Vm L01200 G250M	5 cm
	In the rear: without an insulated smoke flue tube	15 cm

4. Easy control

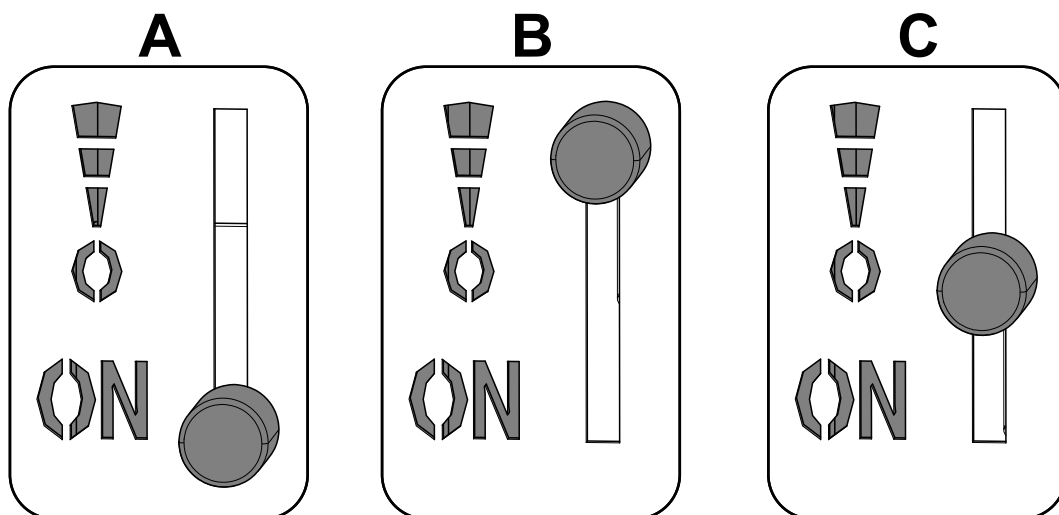
Control of all three air inputs - primary, secondary, tertiary - by means of one sole controller.

1. The controller is in the position intended for ignition (fig. A). All three air inputs are open (primary, secondary, tertiary).
2. The controller is in the position intended for burning of the stove after ignition (fig. B).
3. The controller is in the position designed to close air inputs (Fig. C). No input is open (primary, secondary, tertiary). This position is used only when the stove is out of operation, after finishing the heating process.

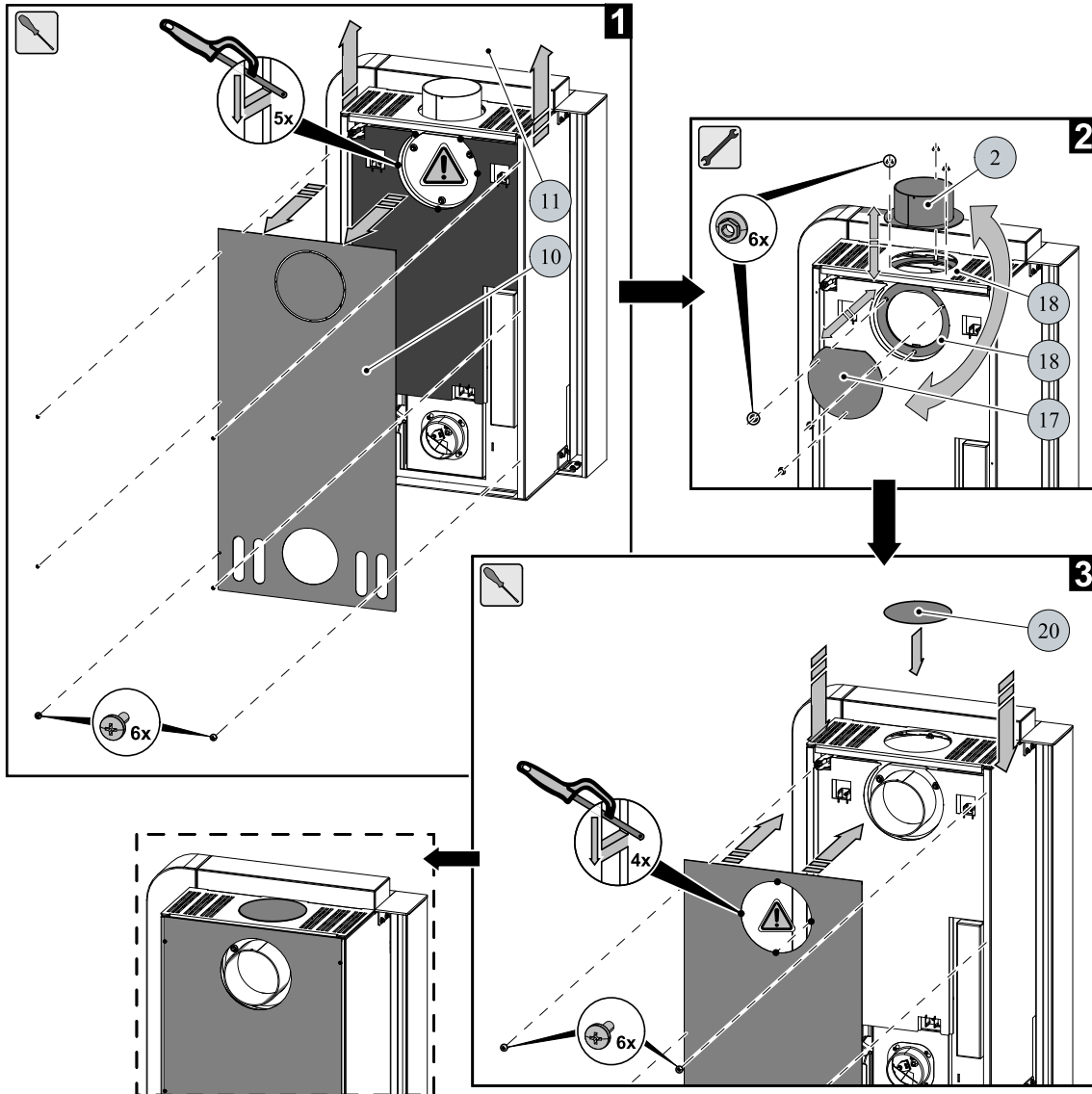


WARNING

Air inputs may not be closed during the heating operation (Fig. C)! In an extreme case, there can occur an explosion in the stove followed by breaking of glass, blowing up of cinders across the room and breaking out of the fire.



5. Conversion of the smoke flue neck



Item	Name	Number of the spare part
2	Smoke flue neck/black	0422017005049
17	Rear cover	0422017005031
18	Lid/black	0422017005810
20	Lining of the smoke flue/black	0429415005048
21	Sealing of the smoke flue	0429415005060
23	Insert plate/black	0422017005802