

HAAS
+
SOHN

Laros

Equipment sheet
Fireplace stove

GB

Introduction

We thank you very much for purchasing our product!

The description of the heating device will inform you in detail about the design, technical specification and operation of the heating device. We recommend you to acquaint yourselves closely with these data. In this way, you will avoid possible faults during the proper assembly and operation.

You will find detailed conditions of installation and operation in General Manual of Operation (included in the scope of the delivery).

Notes in the text

GB



Of utmost importance there are the notes entitled **WARNING**. The notes entitled **WARNING** advise you on **serious danger of damage to the heating device or of an injury**.



The note entitled **Notice** advises you on possible damage to your heating device.



The note entitled **Important** calls your attention to the information important for the operation of your heating device.



The note itself calls your attention to the information important for the operation of your heating device in general.

Contents

1. Technical data	1
1.1. Suitable fuel, stoking amount of fuel	1
2. Technical description	2
2.1. Laros Grande	2
2.2. Laros Piccolo	3
3. List of spare parts — Laros Grande	4
3.1. Overall scheme of the model	4
3.2. Detail A1	6
4. List of spare parts — Laros Piccolo	7
4.1. Overall scheme of the model	7
4.2. Detail A1	9
5. Easy control	10
6. Change of the smoke neck	11
6.1. Laros Grande	11
6.2. Laros Piccolo	12
7. Change of the external air input	13

1. Technical data

	Block wood	
	Nominal output	Partial output 50 %
Achievable heat output	6,4 kW	3 kW
Nominal heat output	6 kW	
Test conditions defined by norm	EN 13240	
Energy efficiency	80,6 %	81,7 %
CO average level in flue gas at 13% O ₂	0,0722 %	0,0975 %
Average concentration of CO at 13% O ₂	902 mg/Nm ³	1218 mg/Nm ³
Average concentration of dust at 13% O ₂	20 mg/Nm ³	12 mg/Nm ³
Average concentration of NOx at 13% O ₂	117 mg/Nm ³	107 mg/Nm ³
Average concentration of OGC at 13% O ₂	63 mg/Nm ³	80 mg/Nm ³
Average concentration of CO at 0% O ₂	624 mg/MJ	865 mg/MJ
Average concentration of dust at 0% O ₂	14 mg/MJ	9 mg/MJ
Average concentration of NOx at 0% O ₂	81 mg/MJ	76 mg/MJ
Average concentration of OGC at 0% O ₂	44 mg/MJ	57 mg/MJ
Amount of combustion products at nominal output	5,9 g/s	2,9 g/s
Temperature of combustion products in the smoke flue neck	302 °C	253 °C
Minimum draft of the chimney at nominal heat output	11 Pa	7 Pa

1.1. Suitable fuel, stoking amount of fuel

Fuel:	Max. stoking amount of fuel
Block wood:	2 – 3 logs (max. 1,9 kg)
Length of wood logs:	Max. 33 cm



Note

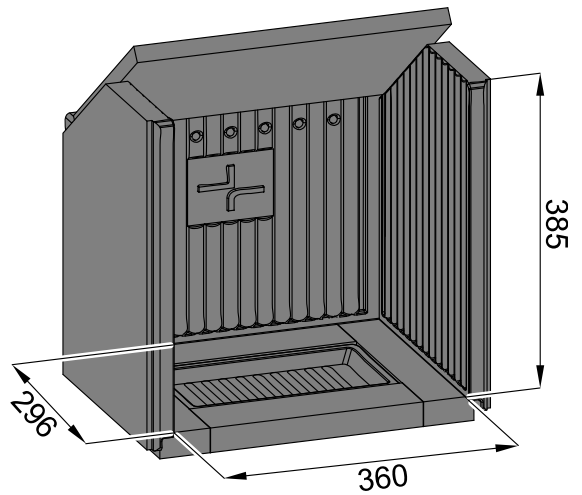
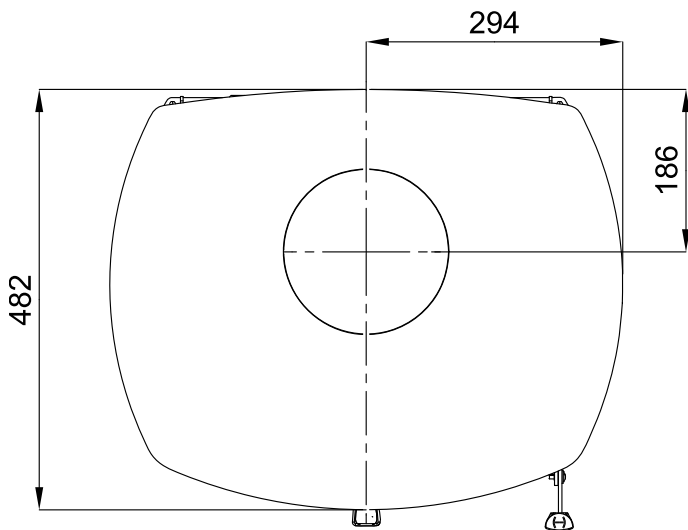
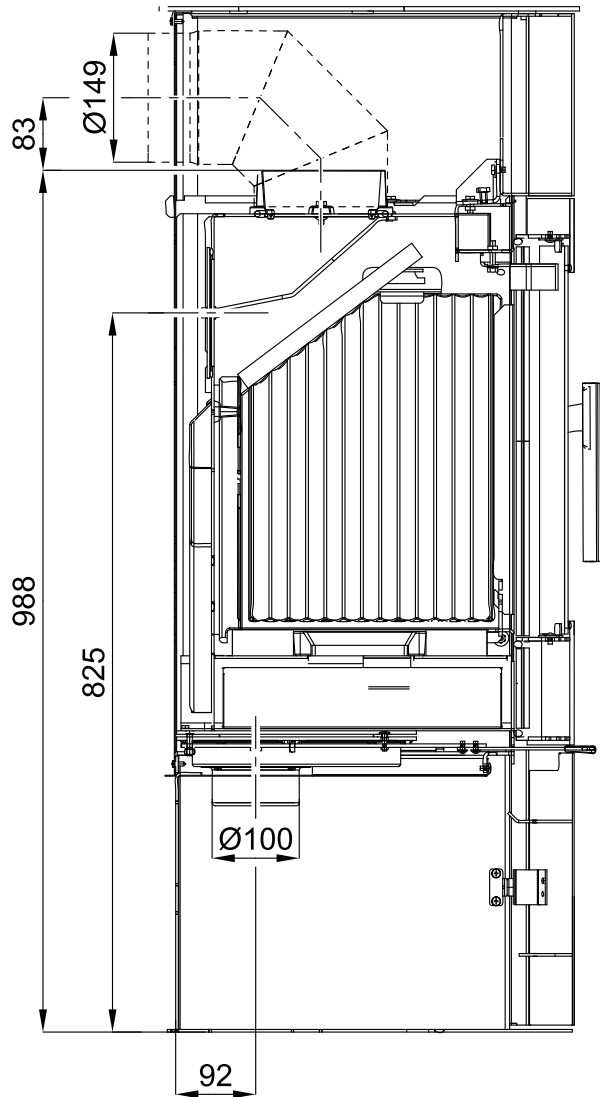
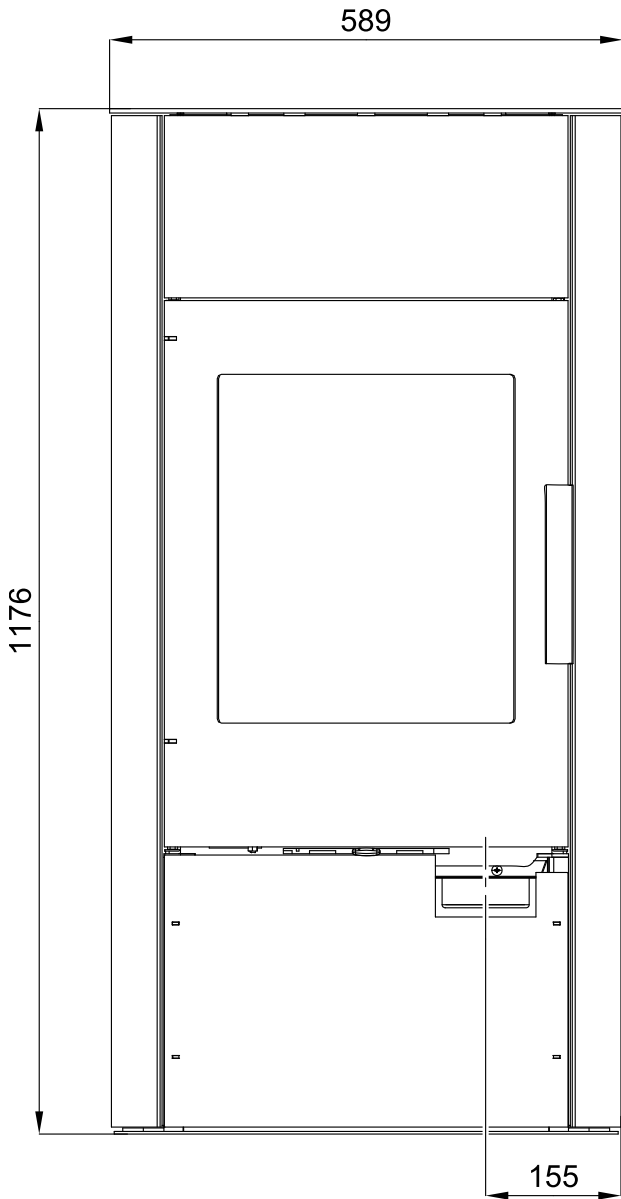
When heating with wood stock, employ solely the types of wood which have been stored for two years and their residual humidity is at most 17 %.

2. Technical description

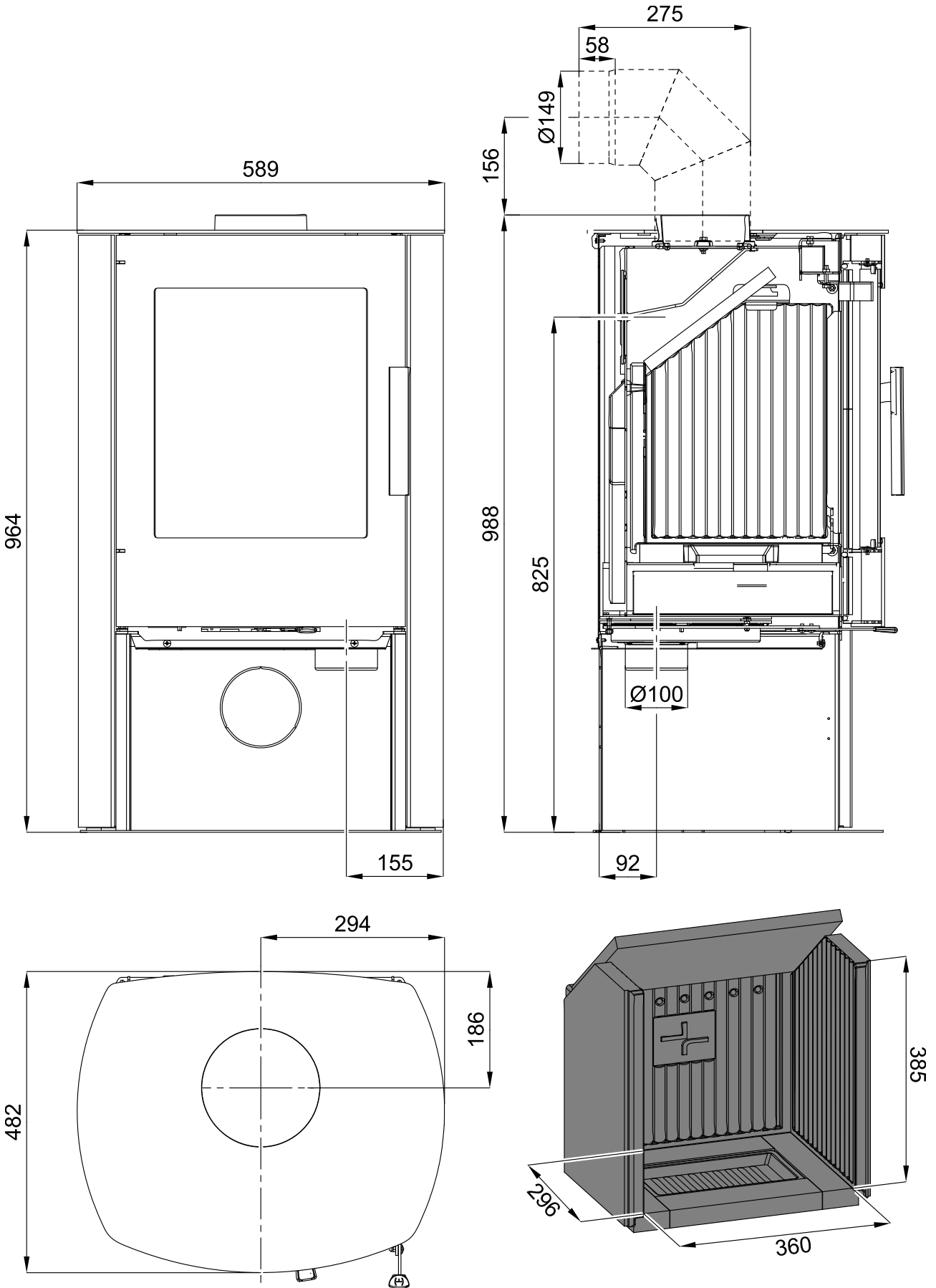
2.1. Laros Grande

Technical description

GB



2.2. Laros Piccolo

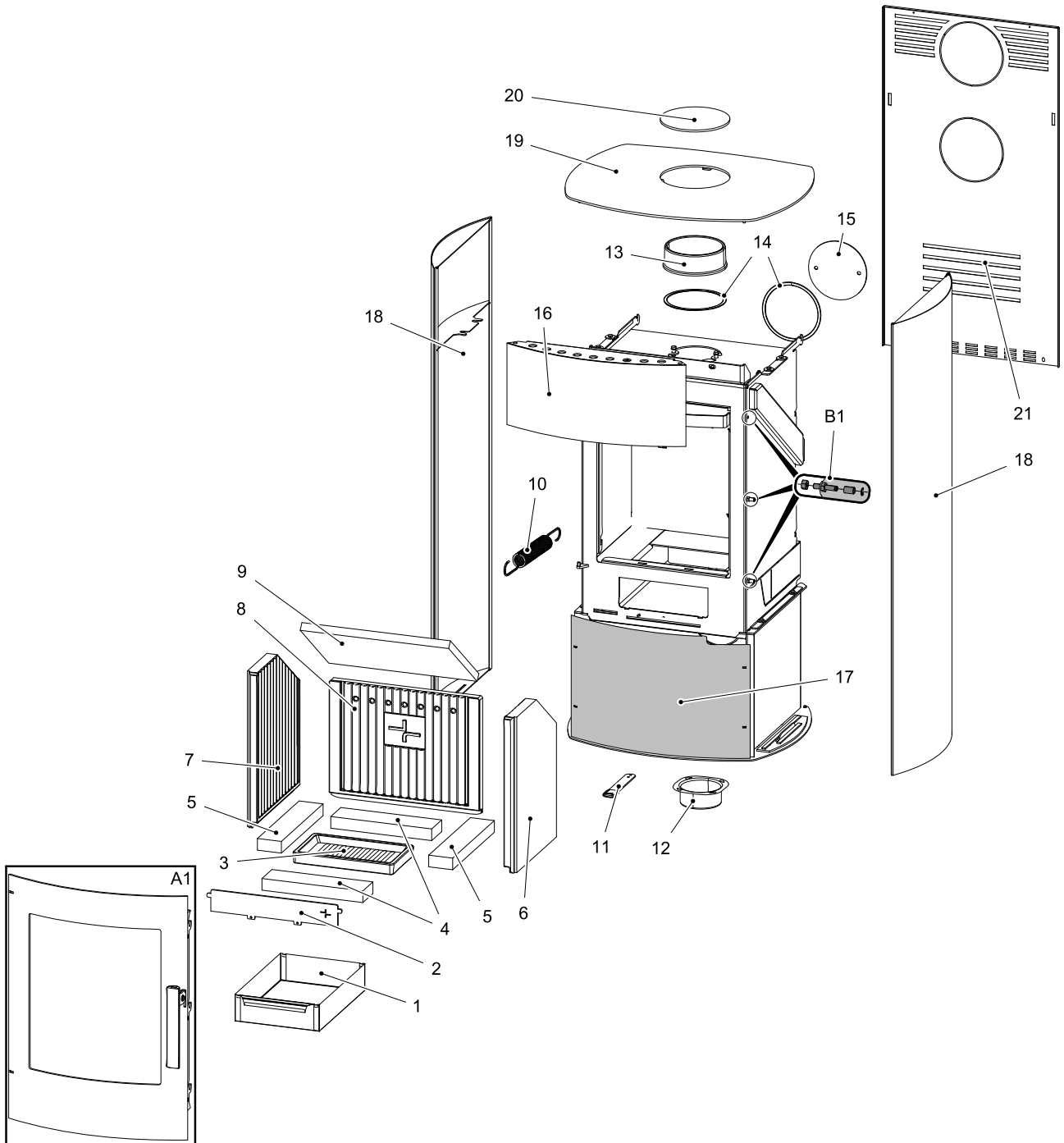


Technical description

GB

3. List of spare parts — Laros Grande

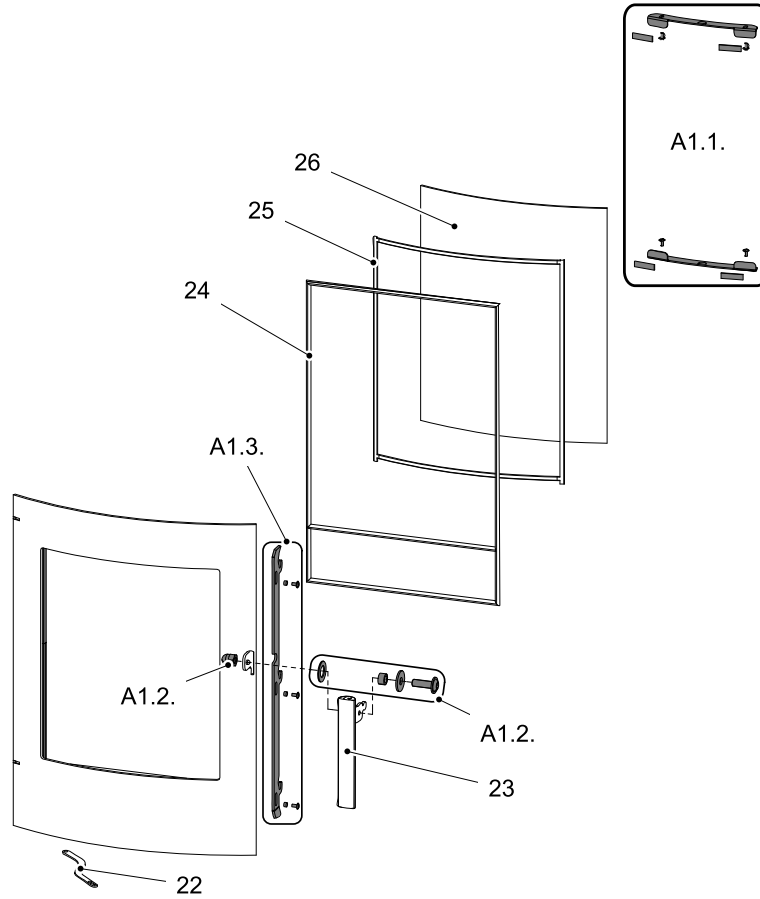
3.1. Overall scheme of the model



Item	Name	Quantity	Number of goods
Overall scheme of the model			
A1	Fire-box door (complete)/black	1 piece	0424617405300

B1	Door lock (complete)	3 piece	0424617405030
1	Ashpan	1 piece	0424617405600
2	Protection/black	1 piece	0424617405005
3	Fire grate/black	1 piece	0429415005005
4	Brick 30x70x261	2 piece	0424617405506
5	Brick 30x62x292	2 piece	0424617405505
6	Refractory lining – right (30x300x415)	1 piece	0428315005502
7	Refractory lining – left (30x300x415)	1 piece	0428315005503
8	Refractory lining – rear (30x390x320)	1 piece	0428315005501
9	Screen loose (vermiculite)	1 piece	0424617405504
10	Door spring	1 piece	0428612005002
11	Control drawbar/black	1 piece	0424617405001
12	External air input (Ø100)	1 piece	0088500050008
13	Smoke flue neck/black	1 piece	0494015005020
14	Smoke flue sealing 8x2 mm	470 mm	0040208020006
15	Smoke flue blind flange/black	1 piece	0424617405011
16	Front panel/black	1 piece	0424617405017
17	Bottom door/black	1 piece	0424617401330
18	Lateral panel/black	2 piece	0424617415100
19	Top cover/black	1 piece	0424617406300
20	Upper blind flange/black	1 piece	0424617405004
21	Rear cover	1 piece	0424617405010

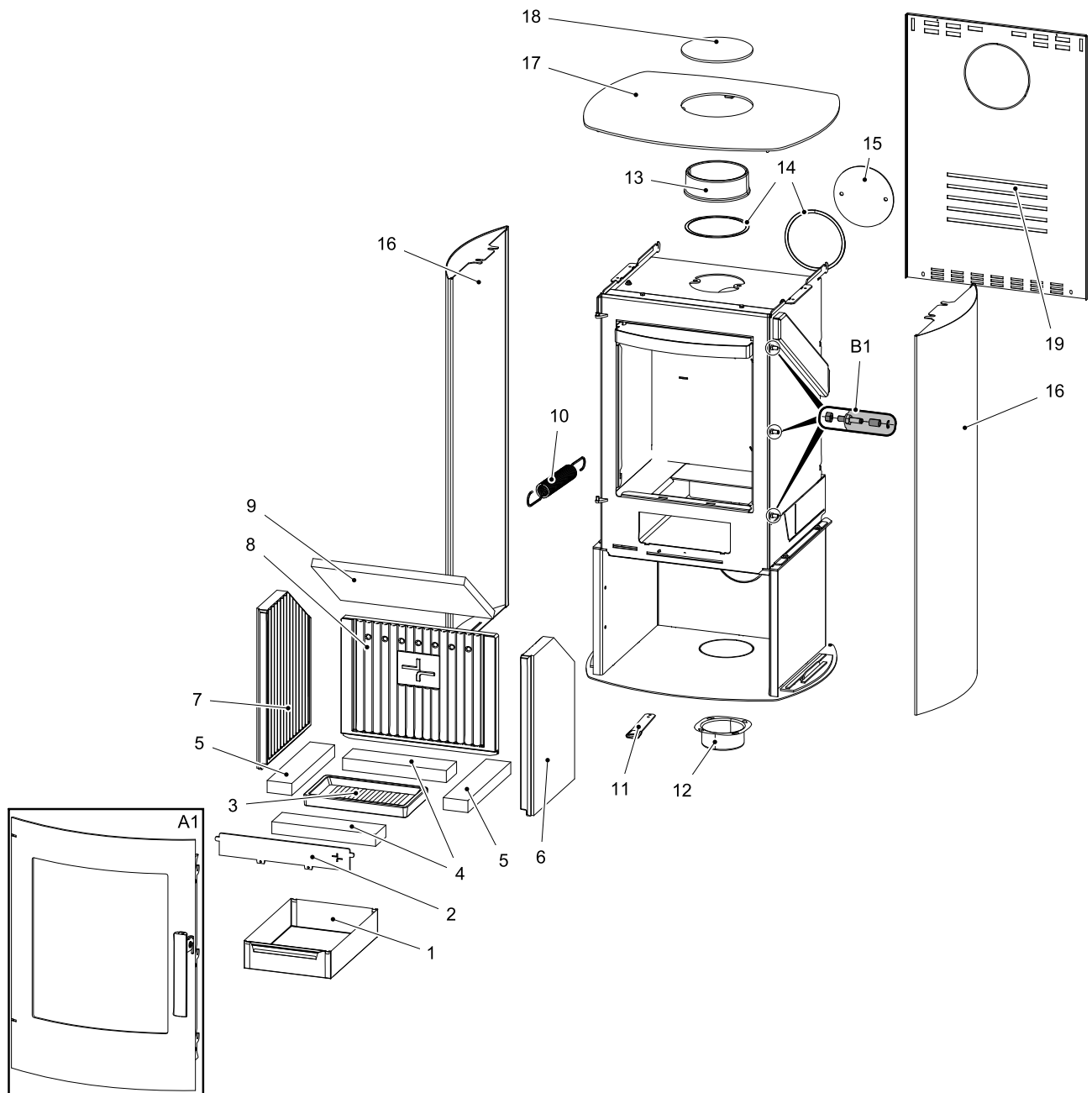
3.2. Detail A1



Item	Name	Quantity	Number of goods
Detail A1			
A1.1.	Glass holder – set/black	1 piece	0424617405304
A1.2.	Handle connecting material – set	1 piece	0424617405315
A1.3.	Closing mechanism drawbar – set/black	1 piece	0424617405303
22	Spring drawbar	1 piece	0424617405302
23	Fire-box door lever lock (complete)	1 piece	0424617405400
24	Door sealing cord 10 mm	2210 mm	0040300100005
25	Glass sealing cord 8x2 mm	1550 mm	0040210040005
26	Refractory glass (4x355x445 R560)	1 piece	0424617405301

4. List of spare parts — Laros Piccolo

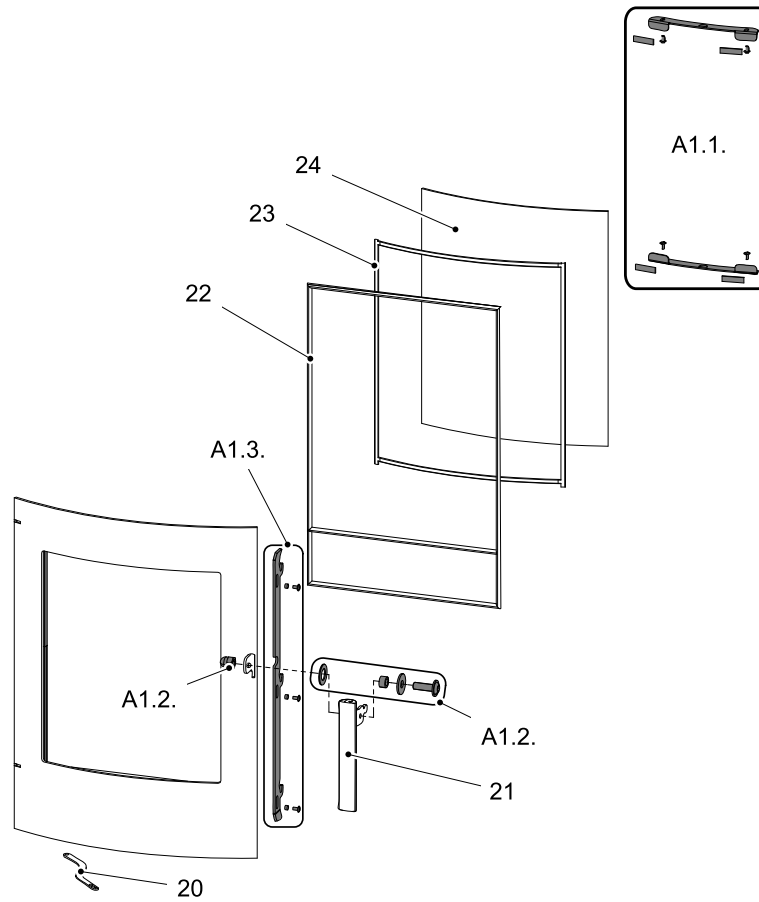
4.1. Overall scheme of the model



Item	Name	Quantity	Number of goods
Overall scheme of the model			
A1	Fire-box door (complete)/black	1 piece	0424617405300
B1	Door lock (complete)	3 piece	0424617405030

1	Ashpan	1 piece	0424617405600
2	Protection/black	1 piece	0424617405005
3	Fire grate/black	1 piece	0429415005005
4	Brick 30x70x261	2 piece	0424617405506
5	Brick 30x62x292	2 piece	0424617405505
6	Refractory lining – right (30x300x415)	1 piece	0428315005502
7	Refractory lining – left (30x300x415)	1 piece	0428315005503
8	Refractory lining – rear (30x390x320)	1 piece	0428315005501
9	Screen loose (vermikulit)	1 piece	0424617405504
10	Door spring	1 piece	0428612005002
11	Control drawbar/black	1 piece	0424617405001
12	External air input (Ø100)	1 piece	0088500050008
13	Smoke flue neck/black	1 piece	0494015005020
14	Smoke flue sealing 8x2 mm	470 mm	0040208020006
15	Smoke flue blind flange/black	1 piece	0424617405011
16	Lateral panel/black	2 piece	0424617515100
17	Top cover/black	1 piece	0424617406300
18	Upper blind flange/black	1 piece	0424617405004
19	Rear cover	1 piece	0424617505010

4.2. Detail A1



Item	Name	Quantity	Number of goods
Detail A1			
A1.1.	Glass holder – set/black	1 piece	0424617405304
A1.2.	Handle connecting material – set	1 piece	0424617405315
A1.3.	Closing mechanism drawbar – set/black	1 piece	0424617405303
20	Spring drawbar	1 piece	0424617405302
21	Fire-box door lever lock (complete)	1 piece	0424617405400
22	Door sealing cord 10 mm	2210 mm	0040300100005
23	Glass sealing cord 8x2 mm	1550 mm	0040210040005
24	Refractory glass (4x355x445 R560)	1 piece	0424617405301

5. Easy control

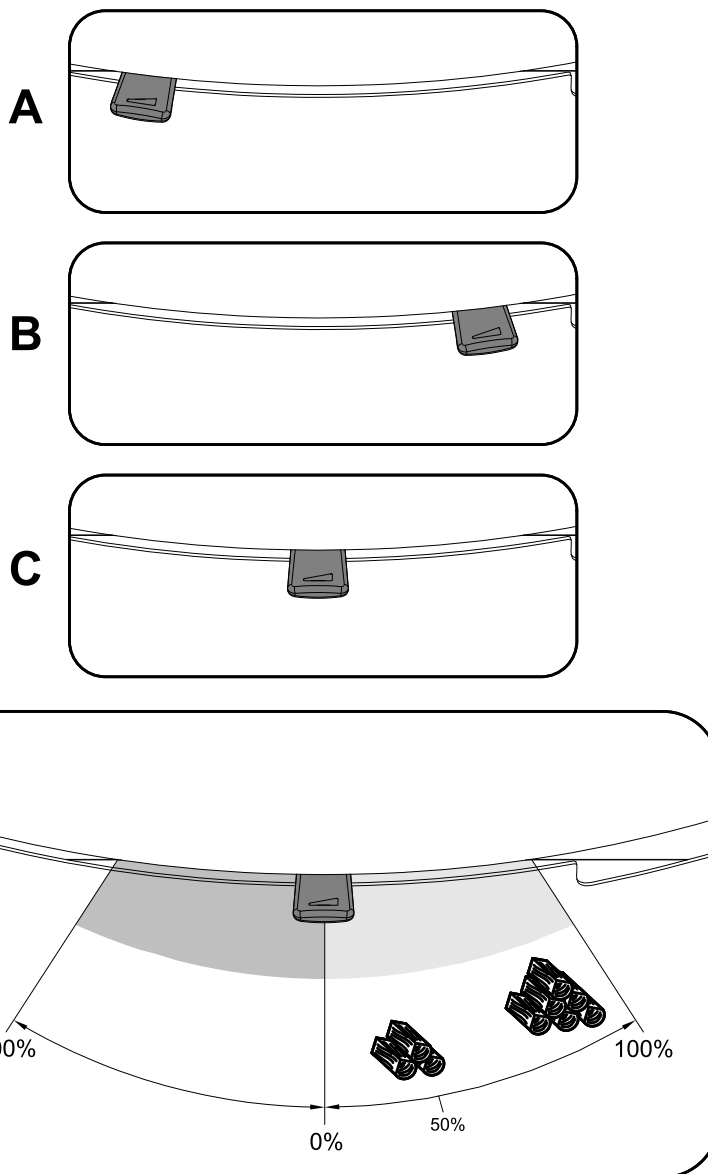
Control of all three air inputs - primary, secondary, tertiary - by means of one sole controller.

1. The controller is in the position intended for ignition (fig. A). All three air inputs are open (primary, secondary, tertiary).
2. The controller is in the position intended for burning of the stove after ignition (fig. B).
3. The controller is in the position designed to close air inputs (Fig. C). No input is open (primary, secondary, tertiary). This position is used only when the stove is out of operation, after finishing the heating process.



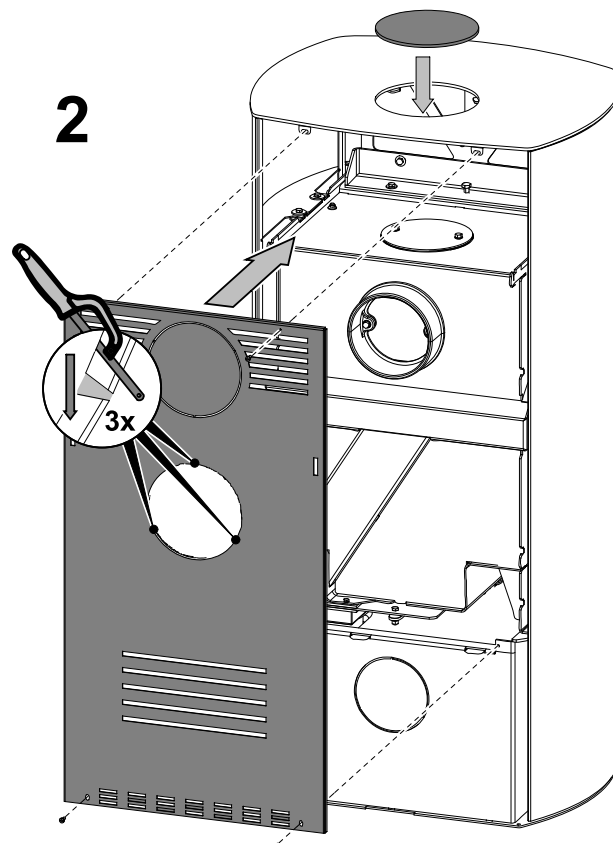
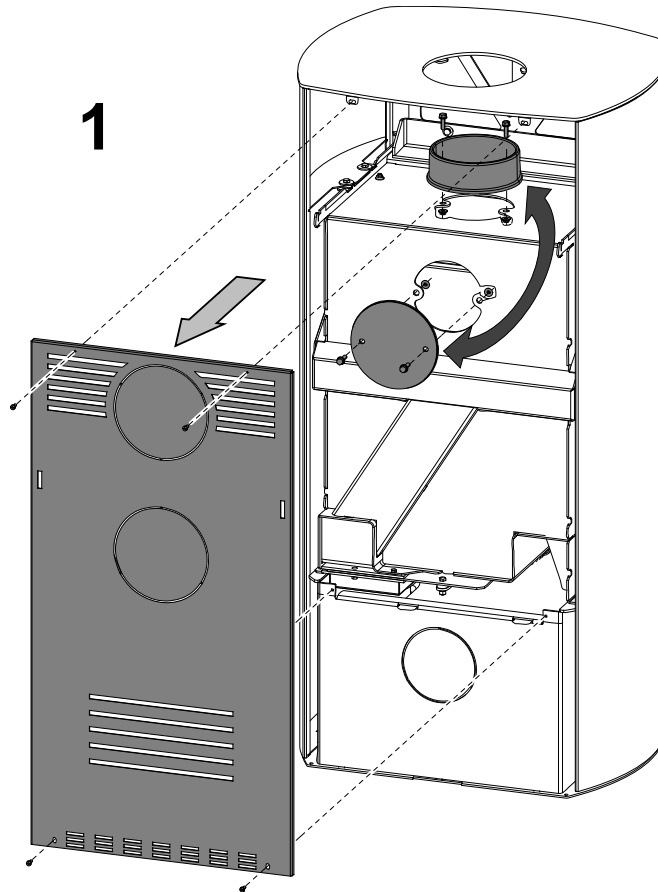
WARNING

Air inputs may not be closed during the heating operation (Fig. C)! In an extreme case, there can occur an explosion in the stove followed by breaking of glass, blowing up of cinders across the room and breaking out of the fire.



6. Change of the smoke neck

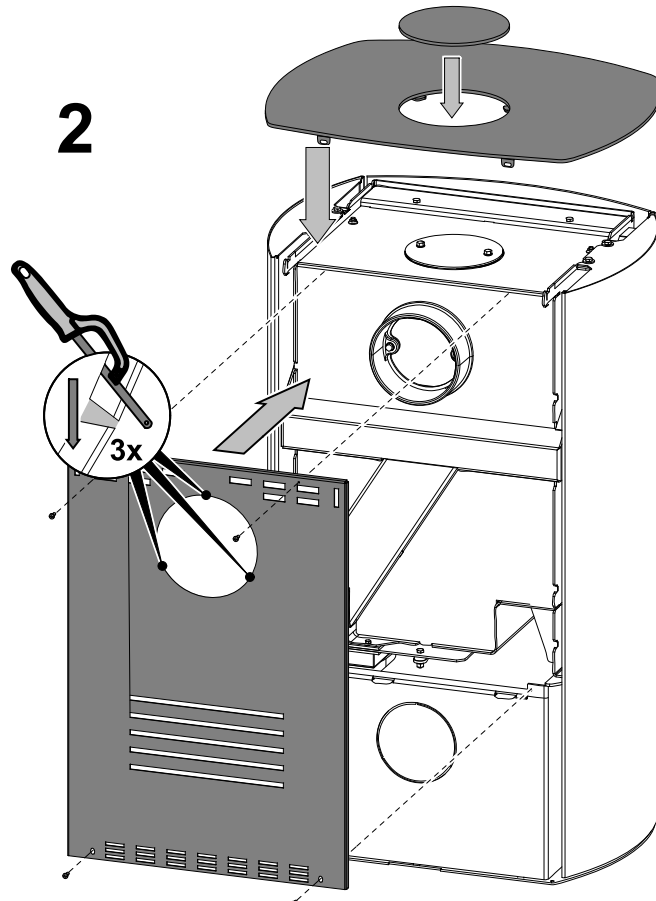
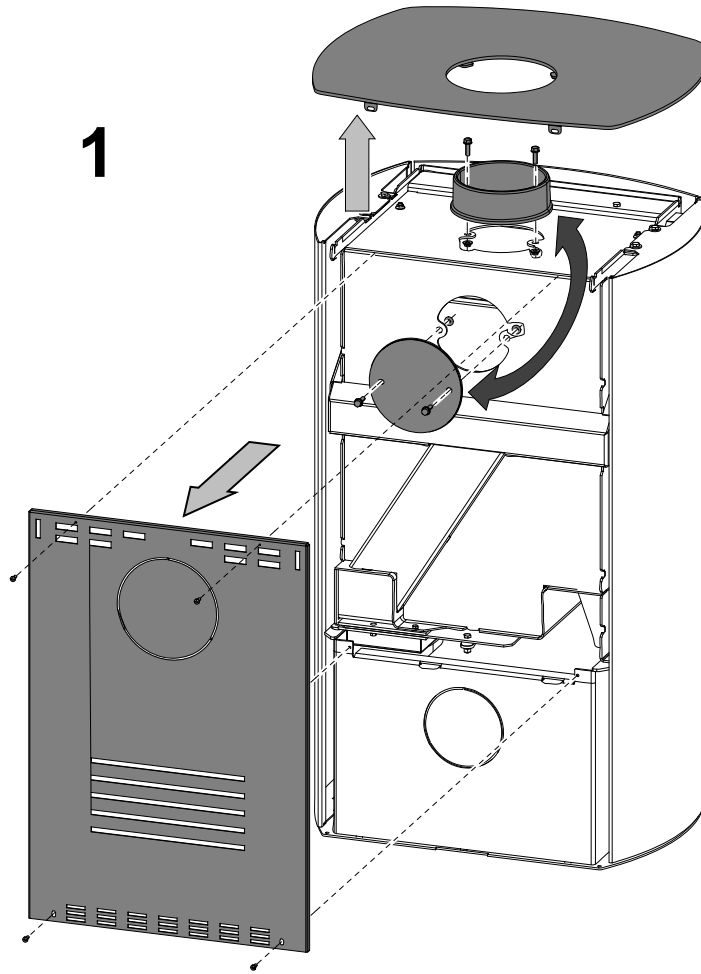
6.1. Laros Grande



6.2. Laros Piccolo

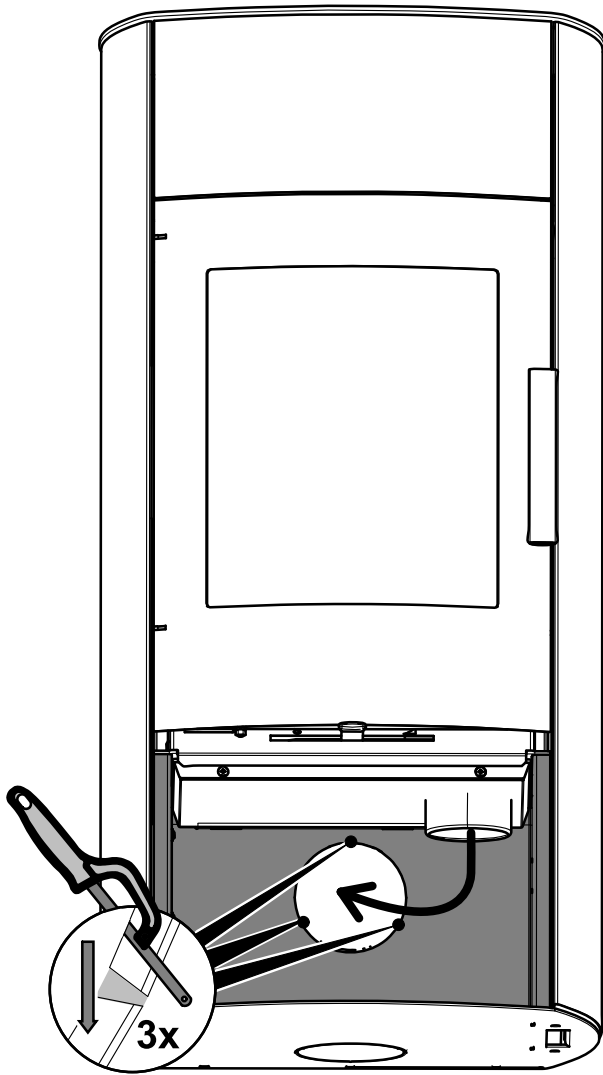
Change of the smoke neck

GB

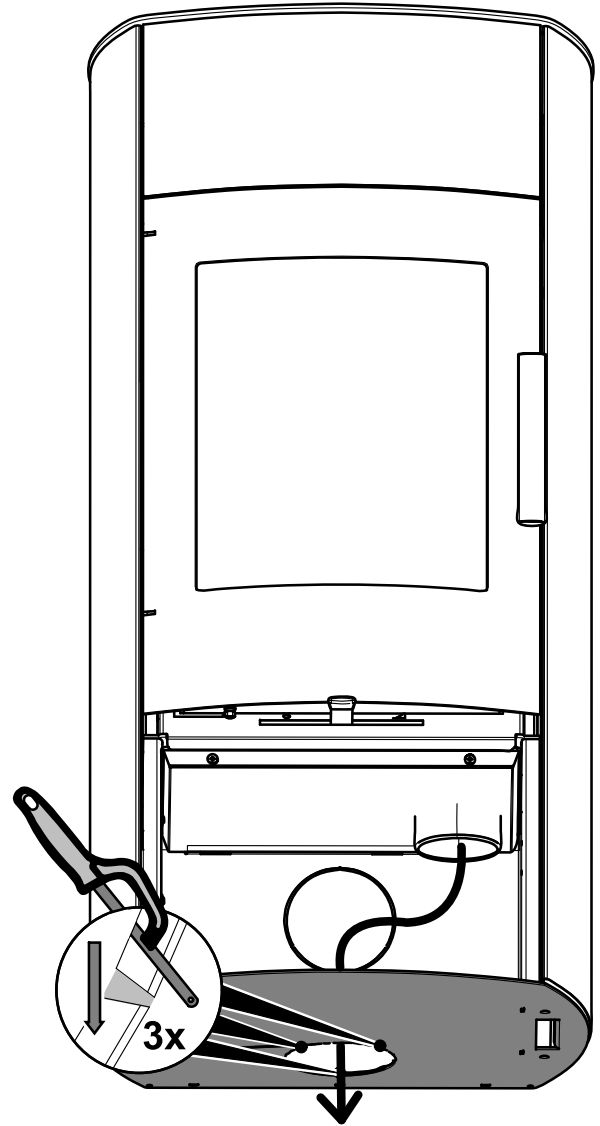


7. Change of the external air input

A



B



Change of the external air input

GB



