

HAAS
+
SOHN

Aurora/Vento/Vista

Equipment sheet
Fireplace stove

GB

Introduction

We thank you very much for purchasing our product!

The description of the heating device will inform you in detail about the design, technical specification and operation of the heating device. We recommend you to acquaint yourselves closely with these data. In this way, you will avoid possible faults during the proper assembly and operation.

You will find detailed conditions of installation and operation in General Manual of Operation (included in the scope of the delivery).

Notes in the text

GB



Of utmost importance there are the notes entitled **WARNING**. The notes entitled **WARNING** advise you on **serious danger of damage to the heating device or of an injury**.



The note entitled **Notice** advises you on possible damage to your heating device.



The note entitled **Important** calls your attention to the information important for the operation of your heating device.

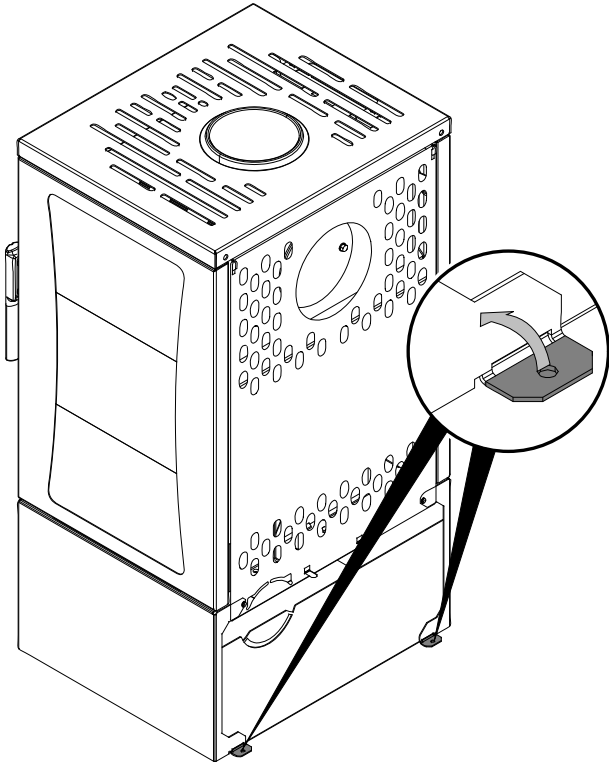


The note itself calls your attention to the information important for the operation of your heating device in general.

Contents

1. Technical data	1
1.1. Suitable fuel, stoking amount of fuel	1
2. Technical description	2
2.1. Aurora	2
2.2. Vento+Vista	3
3. List of spare parts	4
3.1. Overall scheme of the model Aurora	4
3.2. Overall scheme of the model Vento+Vista	6
3.3. Detail A1	8
4. Easy control	9
5. Change of the smoke neck	10
6. Installation of external air input	11
6.1. Aurora	11
6.2. Vento+Vista	12
7. Fixing the door in the open position	13

Vento, Vista



1. Technical data

	Block wood	
	Nominal output	Partial output 50 %
Achievable heat output	6,3 kW	3 kW
Nominal heat output	6 kW	
Test conditions defined by norm	EN 13240	
Energy efficiency	80,3 %	83,9 %
CO average level in flue gas at 13% O ₂	0,0558 %	0,0517 %
Average concentration of CO at 13% O ₂	697 mg/Nm ³	647 mg/Nm ³
Average concentration of dust at 13% O ₂	19 mg/Nm ³	16 mg/Nm ³
Average concentration of NOx at 13% O ₂	93 mg/Nm ³	68 mg/Nm ³
Average concentration of OGC at 13% O ₂	28 mg/Nm ³	16 mg/Nm ³
Average concentration of CO at 0% O ₂	482 mg/MJ	447 mg/MJ
Average concentration of dust at 0% O ₂	14 mg/MJ	12 mg/MJ
Average concentration of NOx at 0% O ₂	64 mg/MJ	47 mg/MJ
Average concentration of OGC at 0% O ₂	19 mg/MJ	11 mg/MJ
Amount of combustion products at nominal output	5,8 g/s	2,4 g/s
Temperature of combustion products in the smoke flue neck	327 °C	302 °C
Minimum draft of the chimney at nominal heat output	12 Pa	7 Pa

1.1. Suitable fuel, stoking amount of fuel

Fuel:	Max. stoking amount of fuel
Block wood:	2 – 3 logs (max. 1,9 kg)
Length of wood logs:	Max. 33 cm

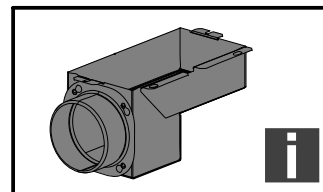
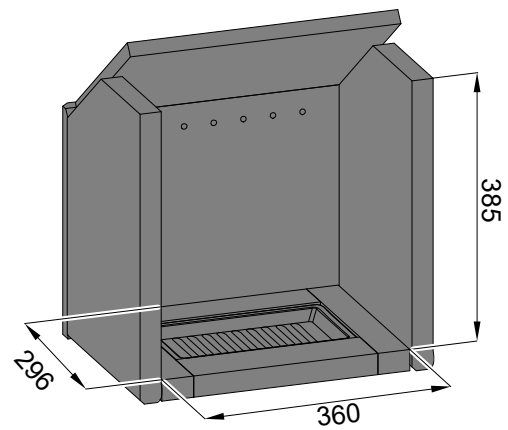
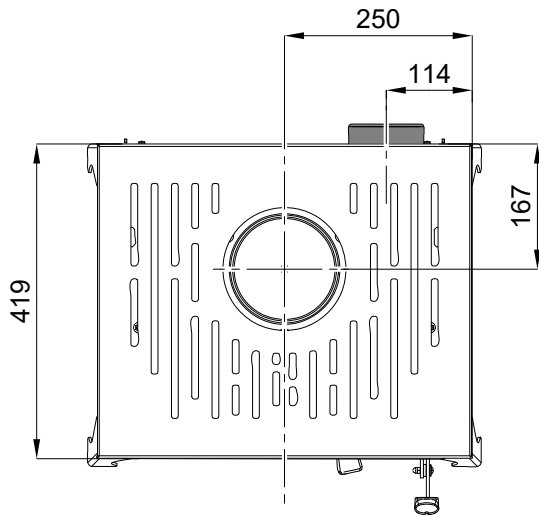
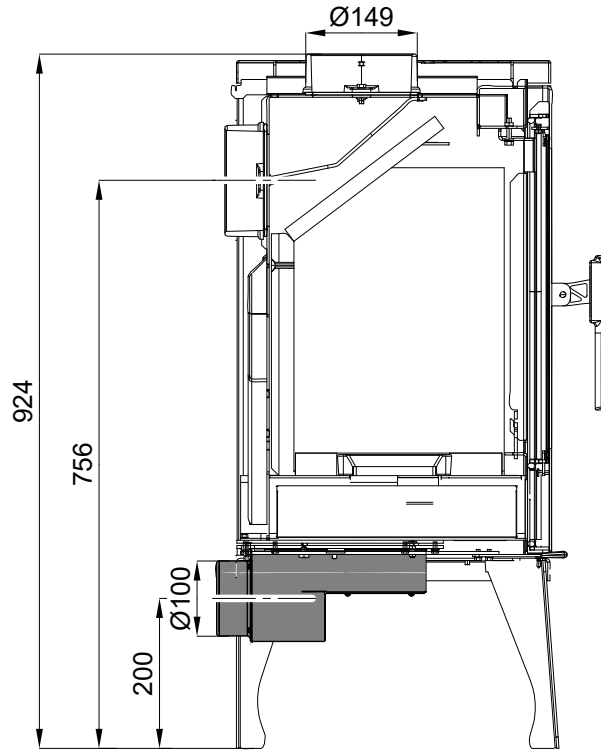
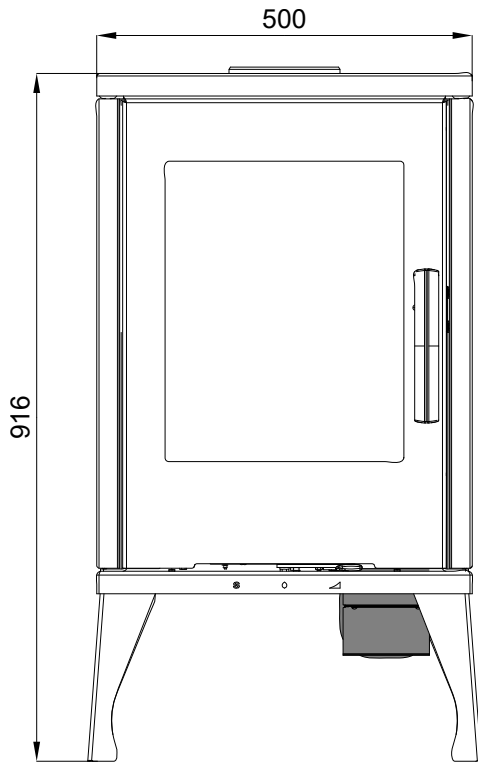
Note

When heating with wood stock, employ solely the types of wood which have been stored for two years and their residual humidity is at most 17 %.

2. Technical description

2.1. Aurora

Technical description

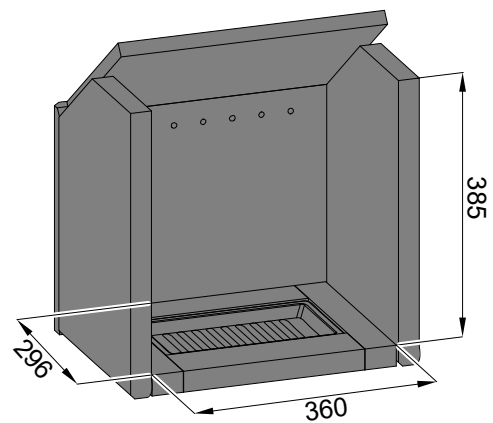
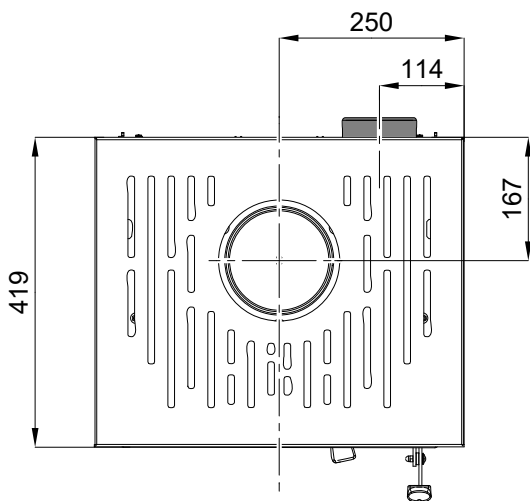
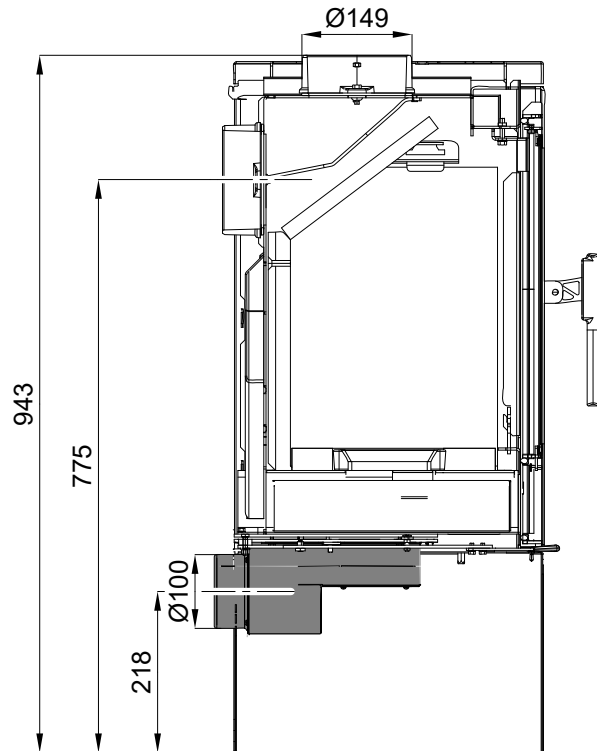
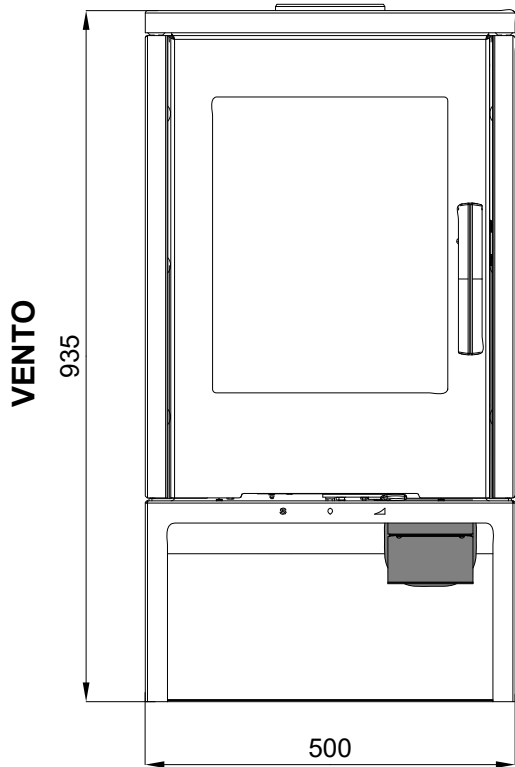
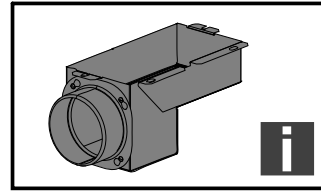
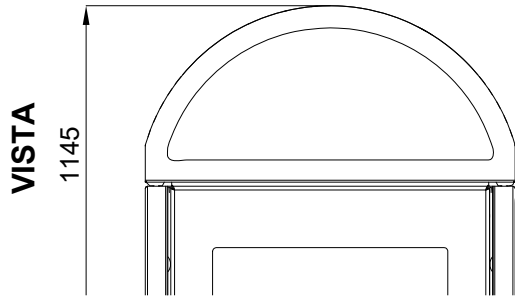


GB

i Note

Not included in the scope of the delivery, nr. of goods 0424637501300 (chapter 6).

2.2. Vento+Vista



Note

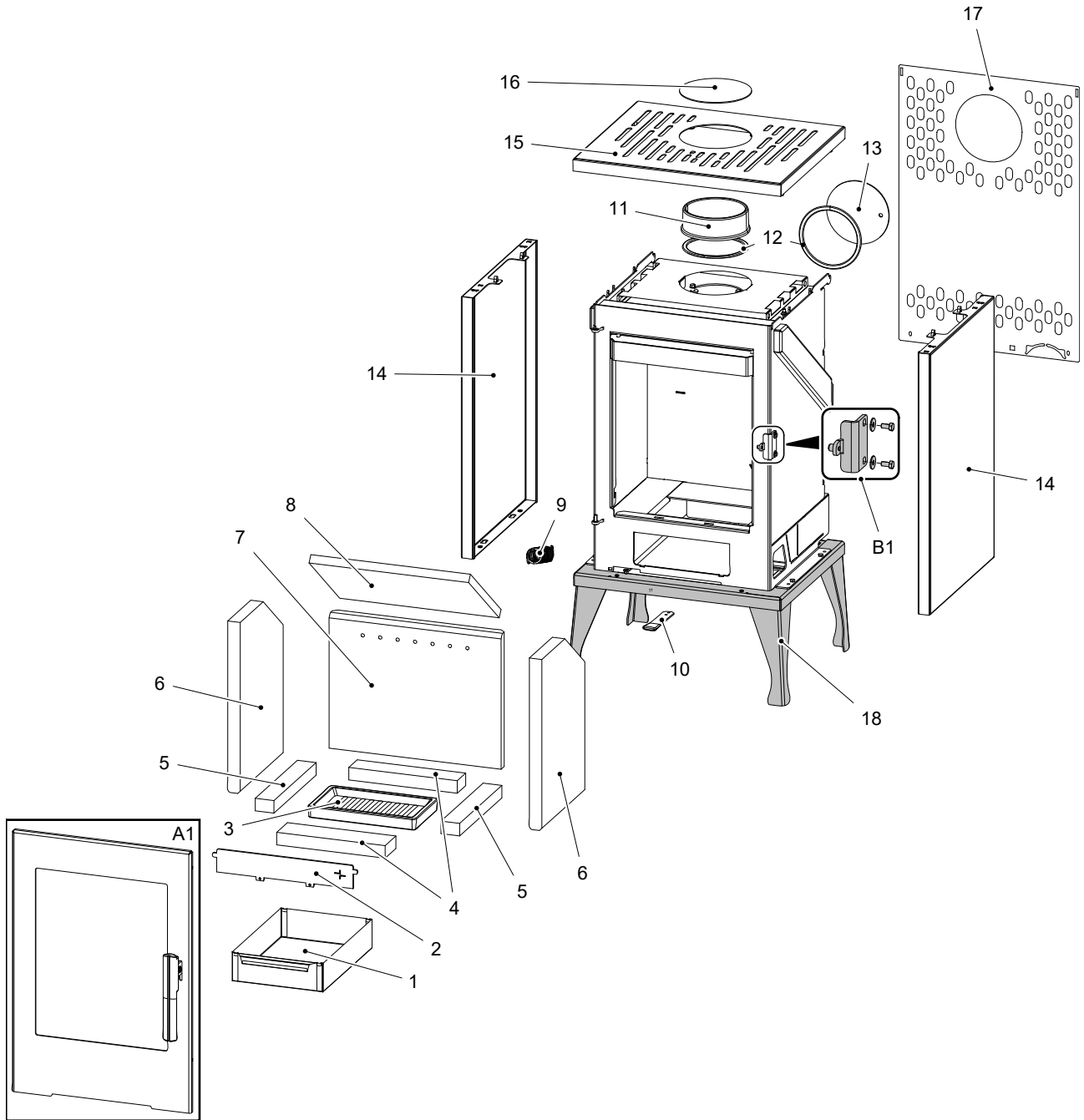
Not included in the scope of the delivery, nr. of goods 0424637501300 (chapter 6).

3. List of spare parts

3.1. Overall scheme of the model Aurora

List of spare parts

GB

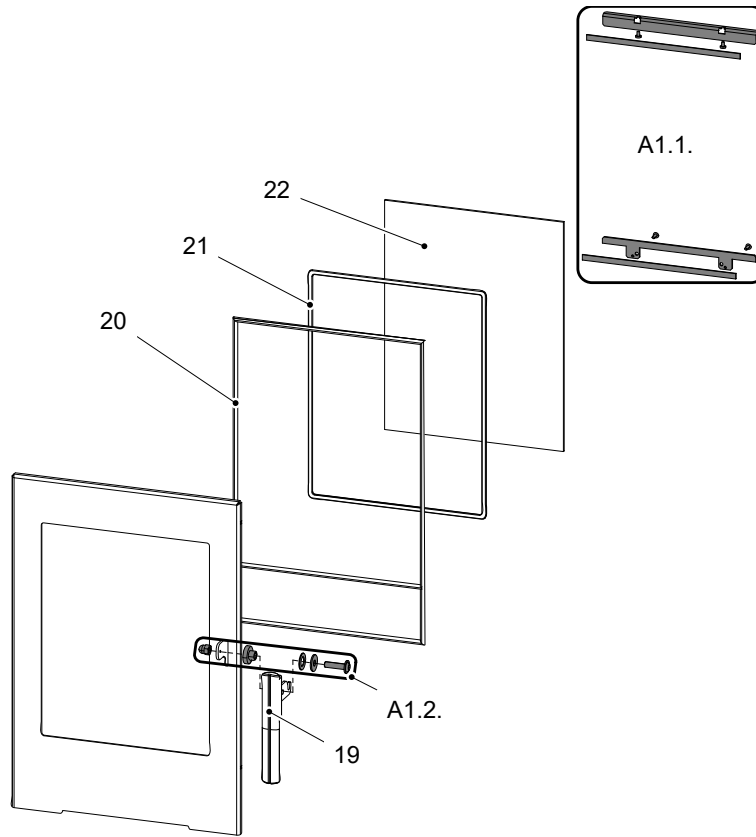


Item	Name	Quantity	Number of goods
Overall scheme of the model			
A1	Fire-box door (complete)/black	1 piece	0424637505300
B1	Door lock (complete)	1 piece	0424637005001
1	Ashpan	1 piece	0424617405600

2	Protection/black	1 piece	0424617405005
3	Fire grate/black	1 piece	0429415005005
4	Brick 30x55x261	2 piece	0424637505506
5	Brick 30x45x275	2 piece	0424637505505
6	Lateral brick (30x275x410)	2 piece	0424637505502
7	Rear brick (30x332x414)	1 piece	0424637505501
8	Screen loose (vermiculite)	1 piece	0424617405504
9	Door spring	1 piece	0428612005002
10	Control drawbar/black	1 piece	0424637005015
11	Smoke flue neck/black	1 piece	0494015005020
12	Smoke flue sealing 10x4 mm	470 mm	0040210040005
13	Smoke flue blind flange/black	1 piece	0424617405011
14	Lateral lining/black	2 piece	0424637505700
15	Top cover/black	1 piece	0424637505600
16	Upper blind flange/black	1 piece	0424637505010
17	Rear cover	1 piece	0424637505012
18	Base/black	1 piece	0424637505800

3	Fire grate/black	1 piece	0429415005005
4	Brick 30x55x261	2 piece	0424637505506
5	Brick 30x45x275	2 piece	0424637505505
6	Lateral brick (30x275x410)	2 piece	0424637505502
7	Rear brick (30x332x414)	1 piece	0424637505501
8	Screen loose (vermiculite)	1 piece	0424617405504
9	Door spring	1 piece	0428612005002
10	Control drawbar/black	1 piece	0424637005015
11	Smoke flue neck/black	1 piece	0494015005020
12	Smoke flue sealing 10x4 mm	470 mm	0040210040005
13	Smoke flue blind flange/black	1 piece	0424617405011
14	Ceramic lateral lining	2 piece	0424637505750
15a	Top cover - Vento/black	1 piece	0424637505600
15b	Top cover - Vista/black	1 piece	0424637515600
16	Upper blind flange/black	1 piece	0424637505010
17	Rear cover	1 piece	0424637505012
18	Base/black	1 piece	0424637545800

3.3. Detail A1



List of spare parts

GB

Item	Name	Quantity	Number of goods
Detail A1			
A1.1.	Glass holder – set/black	1 piece	0424637005303
A1.2.	Handle connecting material – set	1 piece	0424637005315
19	Fire-box door lever lock (complete)	1 piece	0424637005310
20	Door sealing cord 12 mm	2200 mm	0041012120005
21	Glass sealing cord 8x2 mm	1500 mm	0040208020006
22	Refractory glass (4x338x431)	1 piece	0424637005301

4. Easy control

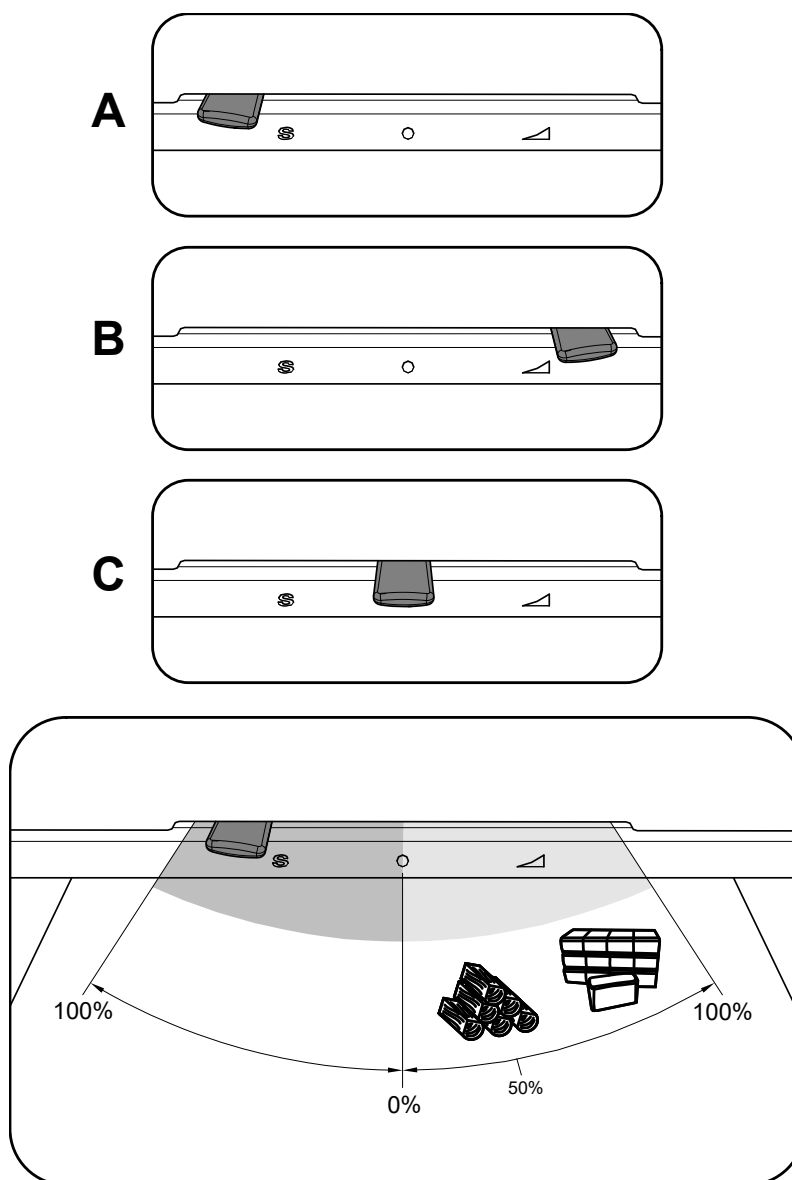
Control of all three air inputs - primary, secondary, tertiary - by means of one sole controller.

1. The controller is in the position intended for ignition (fig. A). All three air inputs are open (primary, secondary, tertiary).
2. The controller is in the position intended for burning of the stove after ignition (fig. B).
3. The controller is in the position designed to close air inputs (Fig. C). No input is open (primary, secondary, tertiary). This position is used only when the stove is out of operation, after finishing the heating process.



WARNING

Air inputs may not be closed during the heating operation (Fig. C)! In an extreme case, there can occur an explosion in the stove followed by breaking of glass, blowing up of cinders across the room and breaking out of the fire.

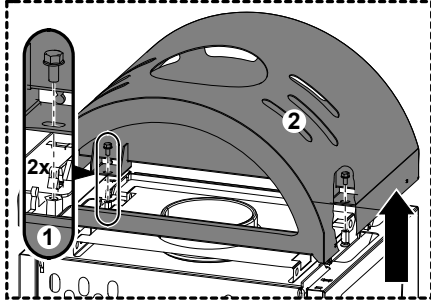


5. Change of the smoke neck

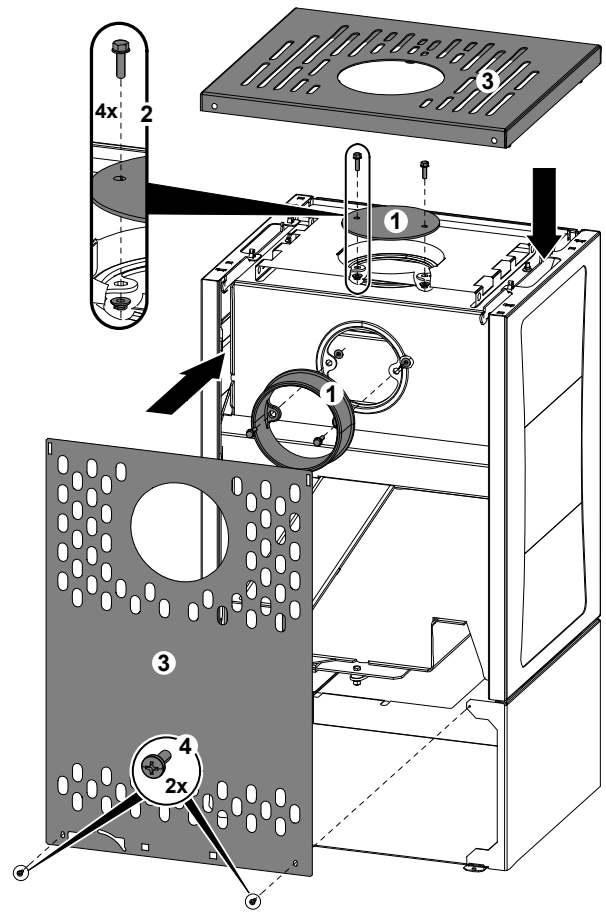
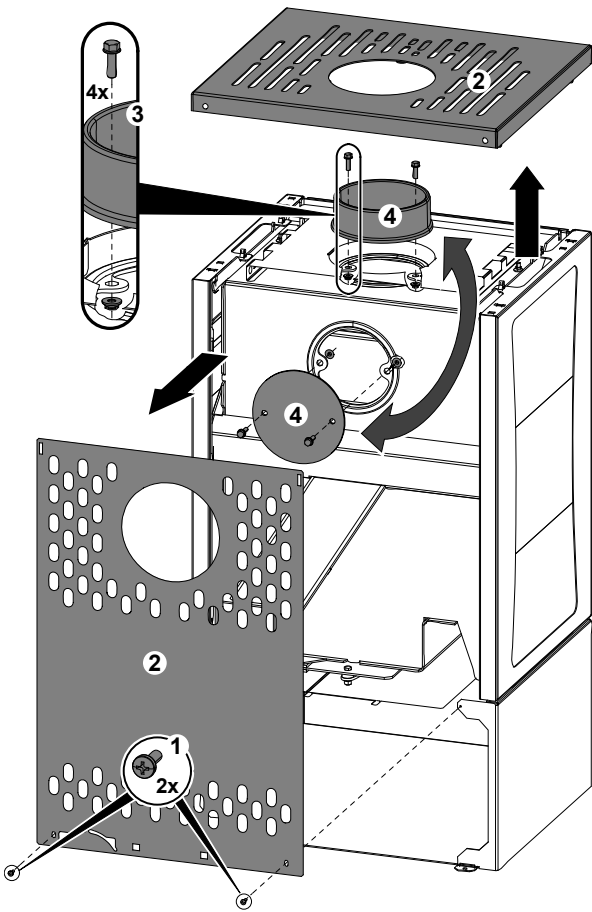
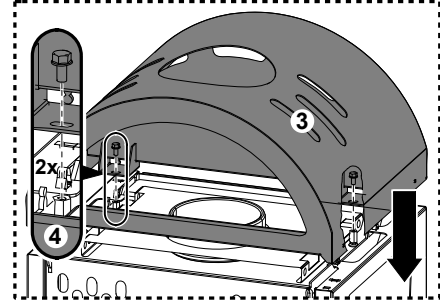
Change of the smoke neck

GB

1

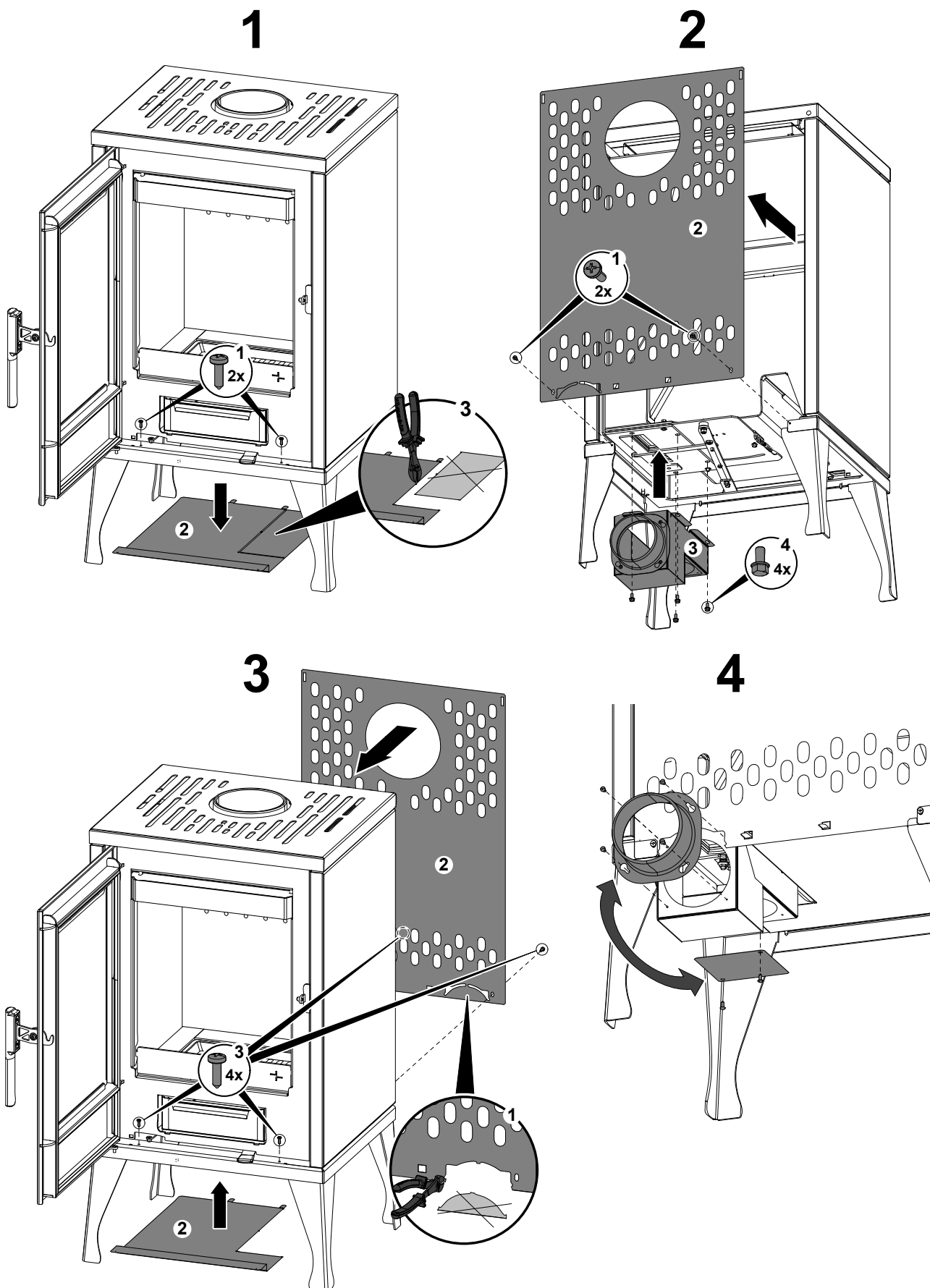


2



6. Installation of external air input

6.1. Aurora



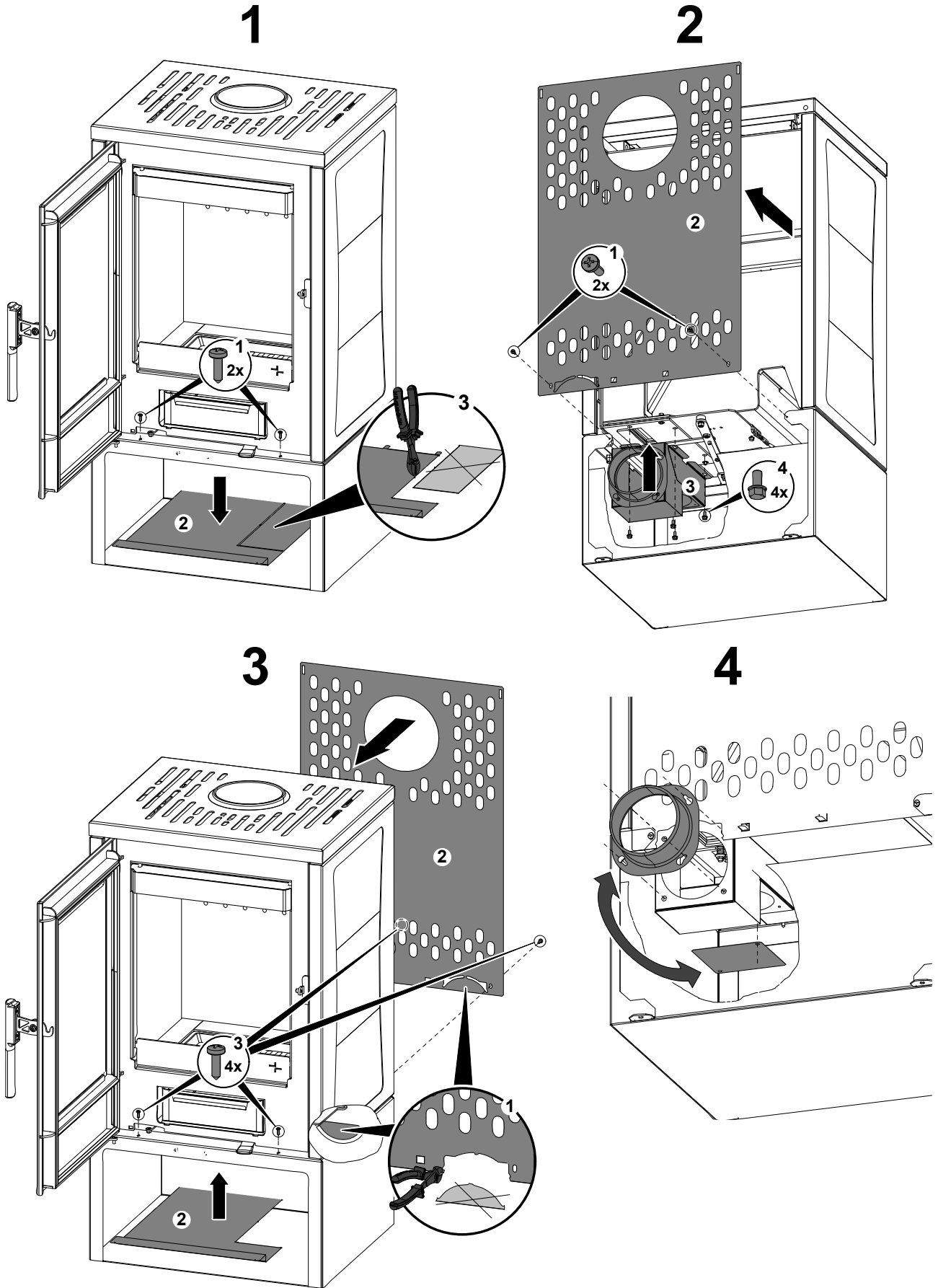
Installation of external air input

GB

6.2. Vento+Vista

Installation of external air input

GB



7. Fixing the door in the open position

You can fix the combustion chamber door in the open position to make cleaning more convenient. Use the latch to lock the door open, as shown in the image below.



WARNING

Never leave the door open during heating!

