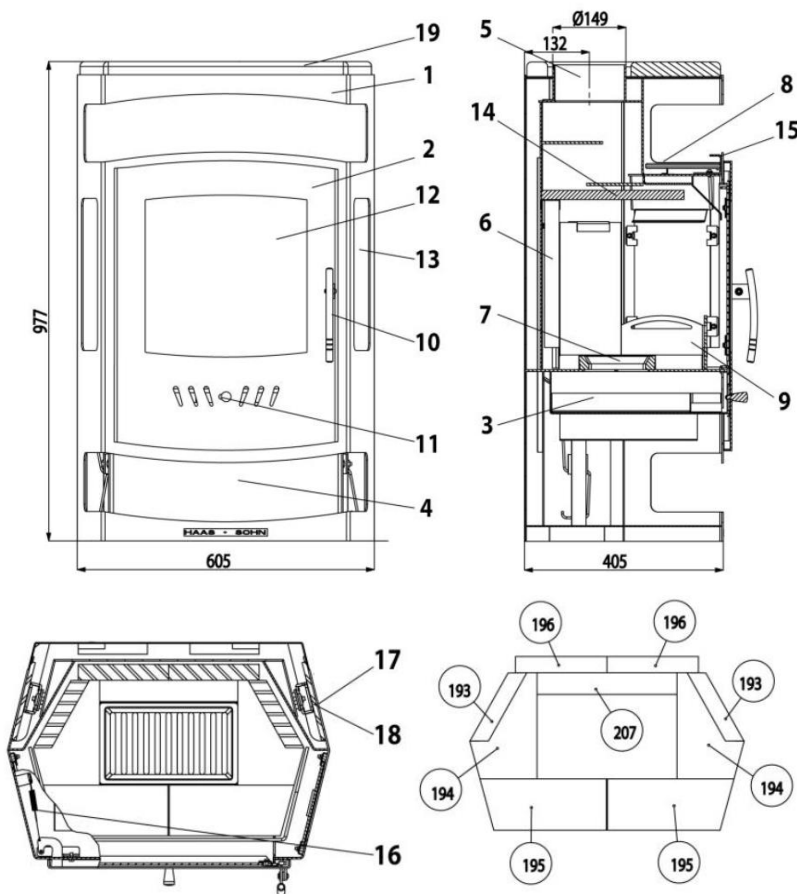


## Technical sheet of the fireplace stove Orsted



### Suitable fuel:

As concerns suitable fuel to be employed, see the chapter 2.2 **Fuel** in the General Manual of Operation.

### Proper operation:

As concerns the proper and safe operation of the fireplace stove, see the chapters 2.

**Description of the combustion process and 5. Operating instructions** in the General Manual of Operation.

Article No.	Fireclay No.	Size
0050101930005	193	300x158x30
0050101940005	194	196x125x30
0050101950005	195	235x95x30
0050101960005	196	300x70x30
0050102070005	197	260x40x30

Fuel	Max. fuel amount	Primary air controller (pos. 11 – intake under the grate)	Secondary air controller (pos. 15, upper)
Wood:	3 blockwood (cca 2 – 2,5 kg)	1 minute open 100%, then close	Open 100%

Article No.	Pos.	Name	Article No.	Pos.	Name
	1 -	Stove body	0426618105304	11 -	Primary air controller
0426617006300	2 -	Fire-box door	0426618105302	12 -	Refractory glass 350x350
0427715006600	3 -	Ash pan 285x285	0426618105001	13 -	Lateral glass 330x159
	4 -	Space for blockwood	0505004700005	14 -	Lip 526x290x25
	5 -	Smoke flue outlet		15 -	Secondary air controller
	6 -	Fire-clay	0089000320005	16 -	Spring of door shutting
0429415005005	7 -	Grate	0063000012705	17 -	Lateral lining large ST 330x150
0063000031205	8 -	Oven tilling left+right	0063000012605	18 -	Lateral lining small 220x150
0426618107500	9 -	Protection 527x110	0040008080005	19 -	Lid ST
0081020010005	10 -	Crank handrail	0040210040005		Door sealing cord 8 mm
			0040210040005		Glass sealing cord 10x4 mm

Technical data:		Orsted	
Height	977 mm	Avg. temperature of combustion products behind the smoke flue neck	300 °C
Width	605 mm	Min. chimney stack draught	12 Pa
Depth	405 mm	Min. chimney stack draught at 0,8-multiple of nominal output	10 Pa
Weight	120 kg	Max. mass flow of dry combustion products	8,7 g/s
Smoke flue neck	150 mm	Fuel	Wood
Nominal heat output	8 kW	CO <sub>2</sub>	8,6 %
Range of outputs	2,9 – 8,7 kW	Energy efficiency	78,5 %
Certificate: RRF-40 08 1783			