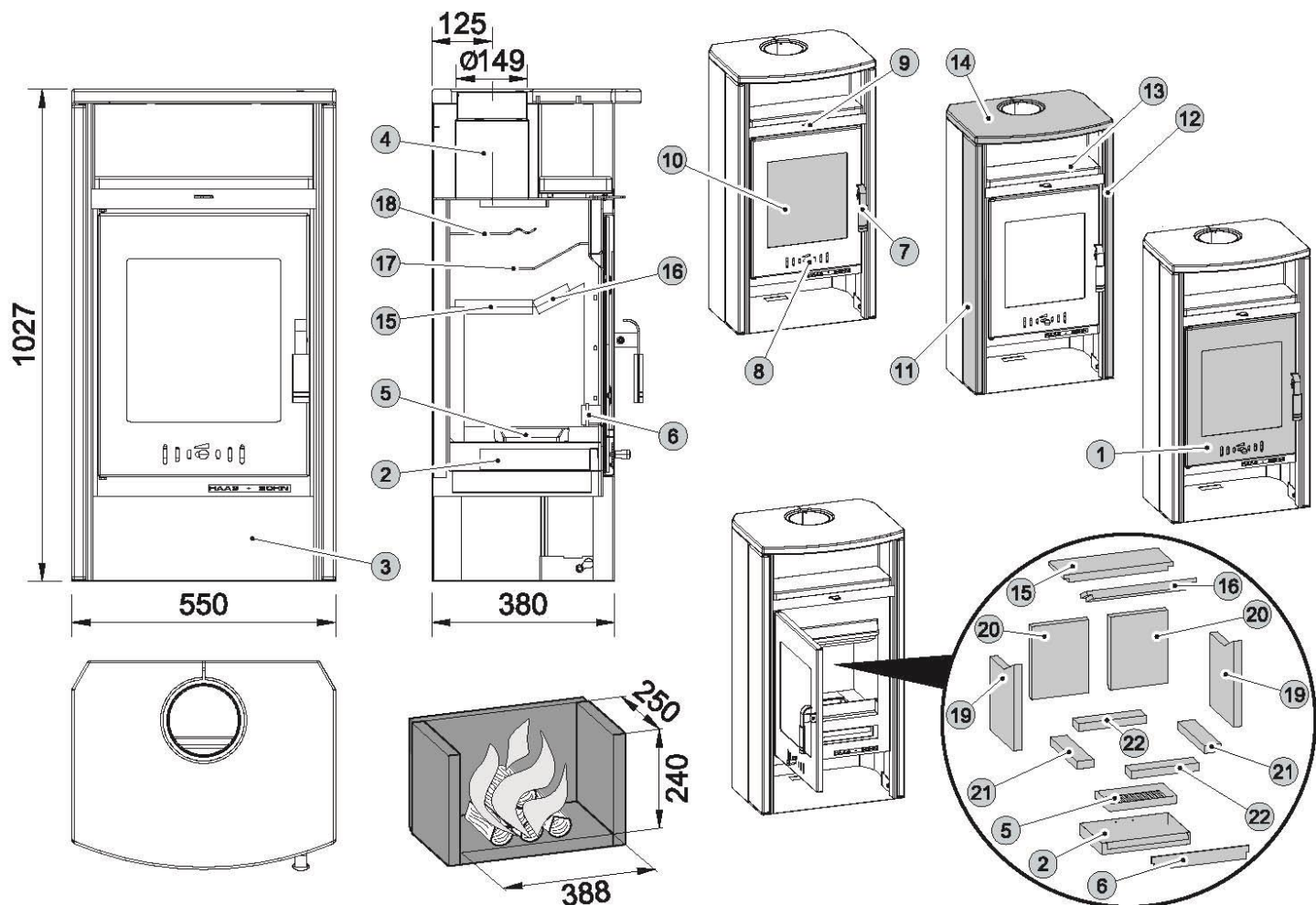


## Technical sheet of the fireplace stove Livorno



### Technical description:

Pos.	Name	Number of goods	Pos.	Name	Number of goods
1	Fire-box door	0427515275300	14	Upper lining/brown stone	0427515215130
2	Ash pan	0433017005600	15	Lower lip - loose (420x160x25)	0430815015023
3	Fuel bunker	-	16	Lower lip - loose (420x80x25)	0427415015010
4	Smoke flue neck	-	17	Middle lip - fixed	-
5	Cast-iron grate	0429415005005	18	Upper lip - fixed	-
6	Protection	0427415247500	19	Brick (330x250x30)	0050102000005
7	Lever lock of the fire-box door	0427515275350	20	Brick (280x220x30)	0050101660005
8	Controller of primary air	0427515115050	21	Brick (278x63x30)	0050101640005
9	Controller of secondary air	0427515005002	22	Brick (260x63x30)	0050101630005
10	Refractory glass (370x340)	0427015105301	Sealing cord of the door 12 mm (2220 mm)		0041012120005
11+12	Lateral lining/woodstone	0427515176120	Sealing cord of the glass 10x4 (1320 mm)		0040210040005
11+12	Lateral lining/brown stone	0427515215120	Glass holder sealing cord 8x2 (100 mm)		0040208020006
13	Lining of the oven/woodstone	0427515176110			
13	Lining of the oven/brown stone	0427515215110			
14	Upper lining/woodstone	0427515176130			

## Technical information

### Suitable fuel:

As concerns suitable fuel to be employed, see the chapter **2.2 Fuel** in the General Manual of Operation.

### Proper operation:

As concerns the proper and safe operation of the fireplace stove, see the chapters **2. Description of the combustion process** and **5. Operating instructions** in the General Manual of Operation.

Fuel	Output of the heating device					
	100%	33%	100%	33%	100%	33%
	Amount of fuel		Primary air		Secondary air	
Blockwood	2,2 kg/h	0,7 kg/h	shut		open 100%	open 33%

TECHNICAL DATA:	Blockwood		
Achieved heat output (100%)	7,4 kW	Height	1027 mm
Nominal heat output	7 kW	Width	550 mm
Reduced heat output (33%)	2,4 kW	Depth	380 mm
Maximum stoking amount of the fuel	2,2 kg/hod	Diameter of the smoke flue	150 mm
Average temperature of combustion products behind the smoke flue neck	290 °C	Weight	135 kg
Maximum mass flow of dry combustion products	6,8 g/s	Min. chimney stack draught in the smoke flue neck	10 Pa
Energy efficiency	80,7 %	Heating capacity (middle heat losses) at 7,5 kW	cca. 140 m <sup>3</sup>
Average concentration of CO <sub>2</sub>	9,3 %	Range of outputs	2,4 – 7,5 kW
Concentration of CO in combustion products at 13% O <sub>2</sub>	0,1 %		
Tested in compliance with EN 13240			

**DIMENSIONED DIAGRAM OF THE FIREPLACE STOVE WITH INSTALLATION OF KNEE-PIECE FOR EXHAUST OF COMBUSTION PRODUCTS, DELIVERED AS OPTIONAL ACCESSORY**

