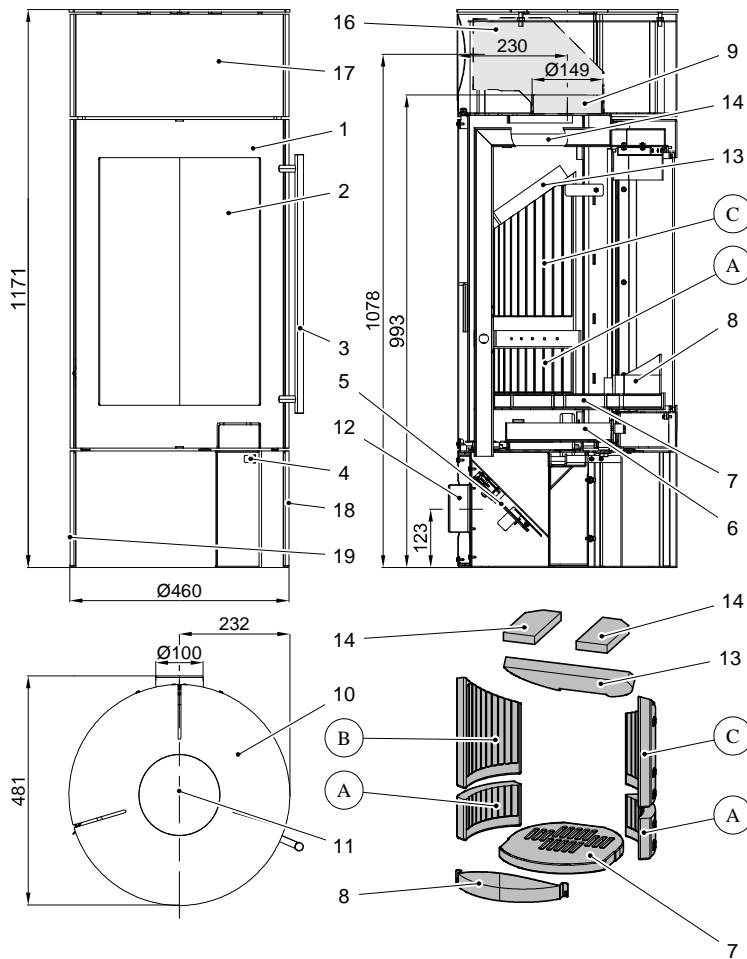




Equipment sheet Ovalis-P



Suitable fuels:
As concerns suitable fuel to be employed, see the chapter **2.2 Fuel** in the General Manual of Operation.

Proper operation:
As concerns the proper and safe operation of the fireplace stove, see the chapters **2. Description of the combustion process** and **5. Operating instructions** in the General Manual of Operation.

0428712005501	A	125x211x40
0428712005504	B	339x211x40
0428712005505	C	339x211x40

Fuels	Maximum fuel quantity	Primary air damper (4) (Air flow through the grating)	Secondary air damper (5)
Wood billets, wood briquettes	2 billets (approx. 1,0 – 1,5 kg) or 1 wood briquette (1,5 kg)	For 10 minutes: Open, then closed	Automatic

Spare parts no.	Item	Designation	Spare parts no.	Item	Designation
0429112005300	1 -	Fire chamber door/black	0428712005508	14 -	Upper draft deflection plate 220x75x25
0428612005310	2 -	Door glas 540x351	0332015007065	16 -	Elbows 90° (Ø 150) not included
0429112005375	3 -	Door handle	0428612005065	17 -	Hood/black
0428612015012	4 -	Primary air damper	0428612006065	17 -	Hood/beige
0089900470005	5 -	Secondary air damper - automatic	0428612015036	18 -	Sheet rear right/black
0428612005600	6 -	Ash pan/black	0428612015038	18 -	Sheet rear right/beige
0428612005520	7 -	Base support framework 352x330x30	0428612015039	19 -	Sheet rear left/black
0428612005700	8 -	Upright grating/black	0428612015041	19 -	Sheet rear left/beige
-	9 -	Smoke pipe spigot	0428612005014	20 -	Rear wall/black
0428612005800	10 -	Cover plate/black	0428612006014	20 -	Rear wall/beige
0421817006001	11 -	Insert plate/black			
0088500050008	12 -	Outside air - pipe fitting Ø 100	0041012120005	-	Seal door 12 mm
0428712005507	13 -	Lower draft deflection plate 380x192x30	0040225030005	-	Seal glass 25x3 mm

Technical data:		Ovalis-P	
Height	1171 mm	Flue gas temperature on the spigot of the heat generator	300 °C
Width	Ø 460 mm	Minimum delivery pressure	12 Pa
Depth without handles	481 mm	Minimum delivery pressure with 0.8 times rated thermal capacity	10 Pa
Weight	118 kg	Flue mass flow	4,7 g/s
Pipe spigot	150 mm	Fuel	Wood Wood briquette
Rated heating capacity	5 kW	CO ₂	8,8 % 10,6 %
Thermal output range	2,5 – 5 kW	Energy efficiency	80,5 % 80,7 %

Inspection no: EN 13240 RRF 40 12 2951