

HAAS
+
SOHN

Wels 291.12 RLU

Equipment sheet
Fireplace stove

GB

Introduction

We thank you very much for purchasing our product!

The description of the heating device will inform you in detail about the design, technical specification and operation of the heating device. We recommend you to acquaint yourselves closely with these data. In this way, you will avoid possible faults during the proper assembly and operation.

You will find detailed conditions of installation and operation in General Manual of Operation (included in the scope of the delivery).

Notes in the text

GB



Of utmost importance there are the notes entitled **WARNING**. The notes entitled **WARNING** advise you on **serious danger of damage to the heating device or of an injury**.



The note entitled **Notice** advises you on possible damage to your heating device.



The note entitled **Important** calls your attention to the information important for the operation of your heating device.



The note itself calls your attention to the information important for the operation of your heating device in general.

Contents

1. Technical data	1
1.1. Suitable fuel, stoking amount of fuel	1
2. Fireplace stove dimensional drawing	2
3. Overview of spare parts	3
3.1. Whole emplacement.....	3
3.2. Detail A1	5
4. External air regulation	6

1. Technical data

	Block wood
	Nominal output
Achievable heat output	5,4 kW
Nominal heat output	5 kW
Testing standard	EN 13240
Energy efficiency	87 %
Average concentration of CO at 13% O ₂	0,07 %
Average concentration of CO at 13% O ₂	875 mg/Nm ³
Average concentration of dust at 13% O ₂	22 mg/Nm ³
Average concentration of NOx at 13% O ₂	78 mg/Nm ³
Average concentration of OGC at 13% O ₂	64 mg/Nm ³
Average concentration of CO at 0% O ₂	518 mg/MJ
Average concentration of dust at 0% O ₂	13 mg/MJ
Average concentration of NOx at 0% O ₂	45 mg/MJ
Average concentration of OGC at 0% O ₂	33 mg/MJ
Amount of combustion products at nominal output	2,8 g/s
Temperature of combustion products in the smoke flue neck	326 °C
Minimum draft of the chimney at nominal heat output	12 Pa

Safety distances

Minimal distances from flammable materials:	side:	30 cm
	rear:	20 cm
	front (radiation area):	80 cm

1.1. Suitable fuel, stoking amount of fuel

Fuel:	Max. stoking amount of fuel
Block wood:	1 - 2 logs (max. 1,25 kg)
Length of wood logs:	Max. 33 cm
Saw-dust briquettes (DIN51731):	—
Lignite briquette:	—

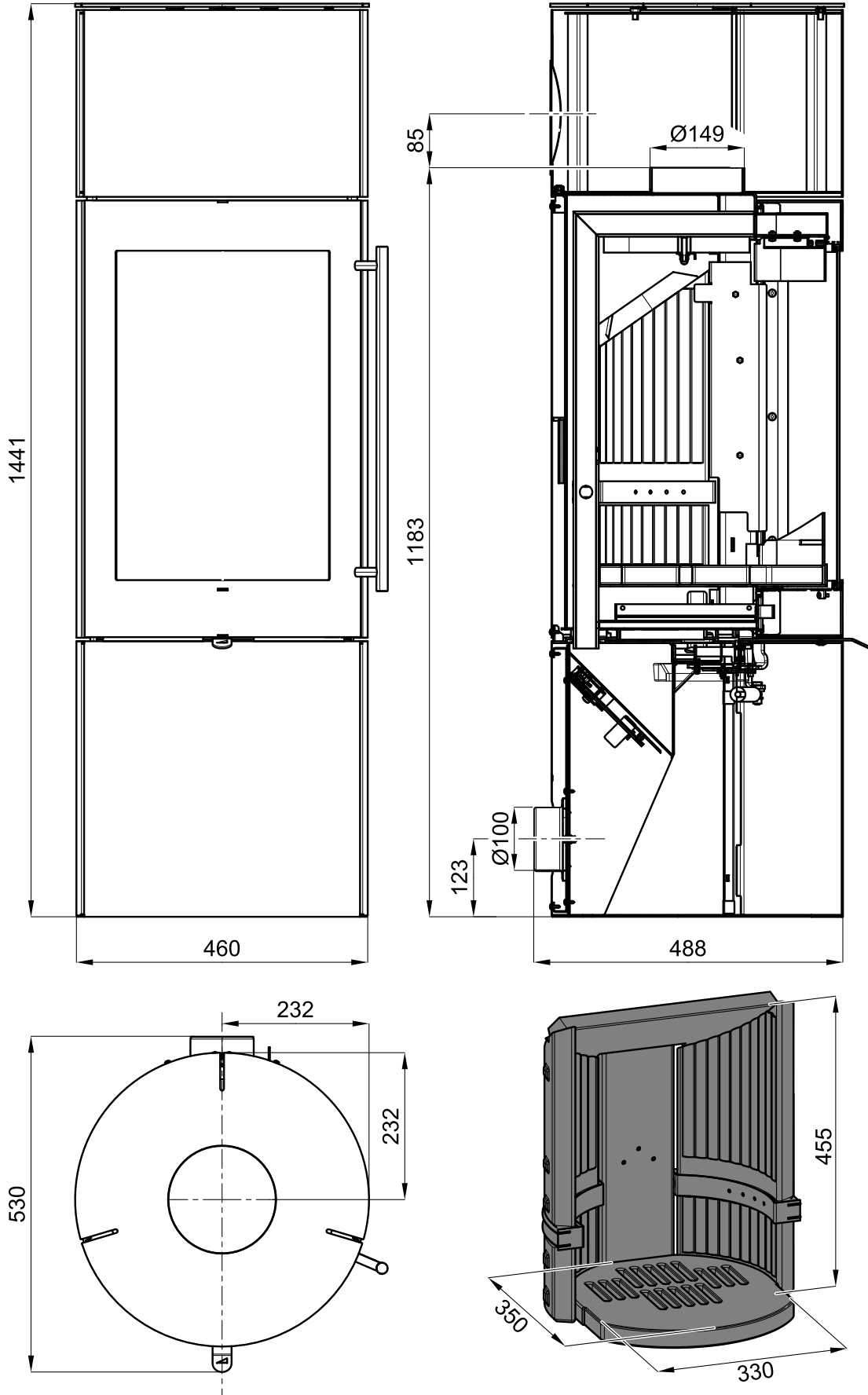
Note

When heating with wood stock, employ solely the types of wood which have been stored for two years and their residual humidity is at most 17 %.

2. Fireplace stove dimensional drawing

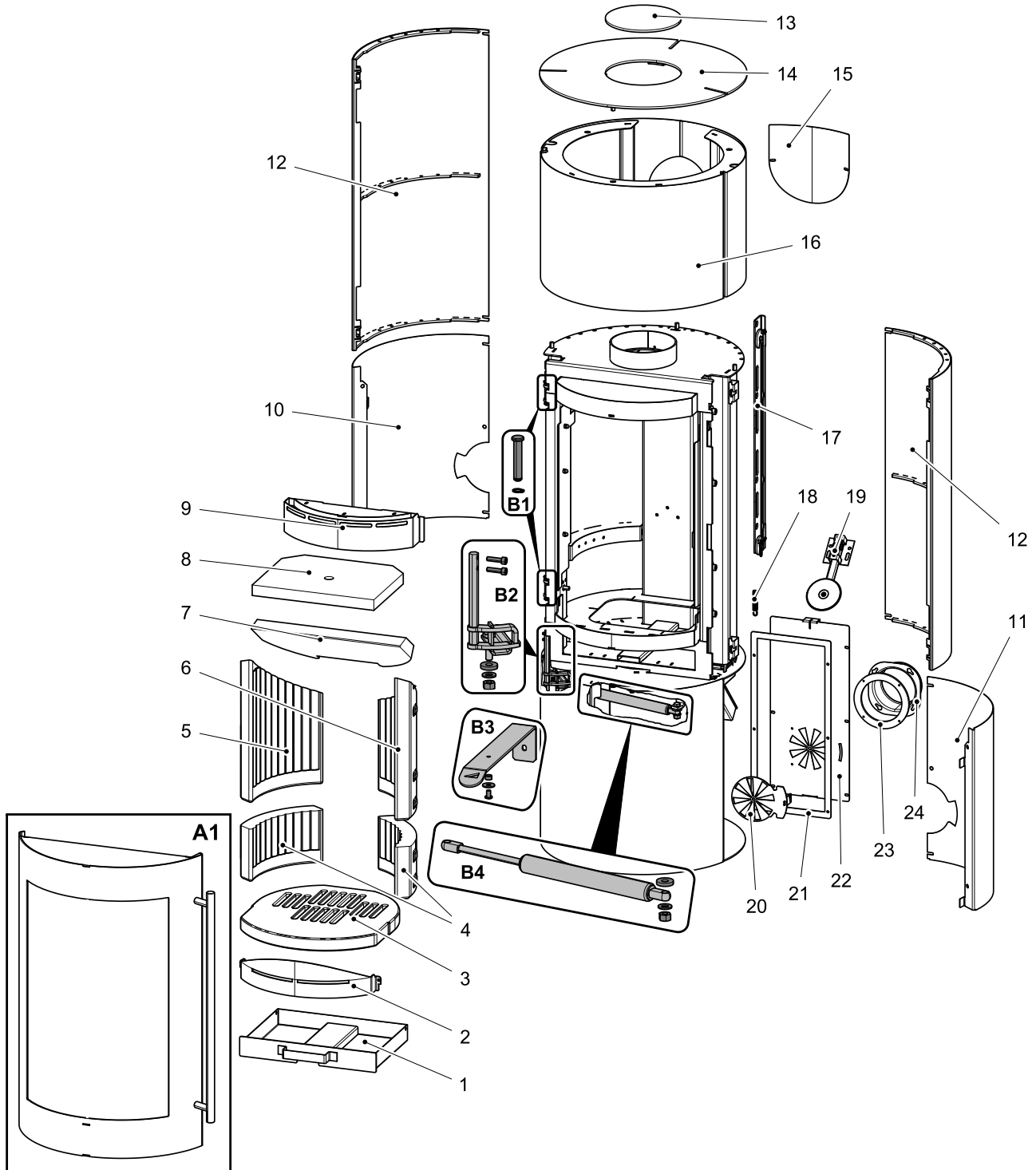
Fireplace stove dimensional drawing

GB



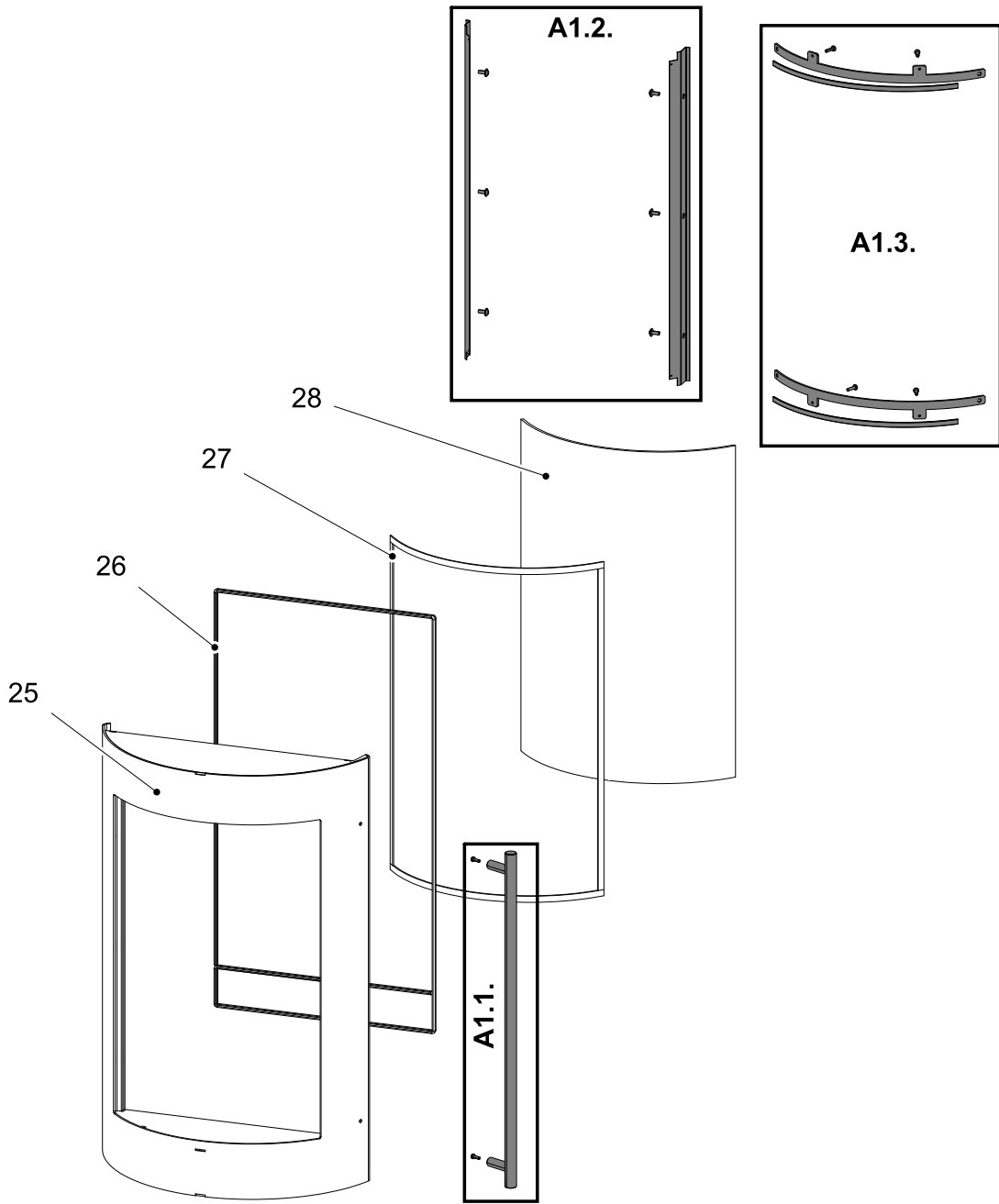
3. Overview of spare parts

3.1. Whole emplacement



Item	Name	pcs	Spare part number
Whole emplacement			
A1	Fire-box door (complete)/black	1 piece	0429112205300
B1	Fire-box door suspension (complete)	1 piece	0424717035002
B2	Door holder lower (complete)	1 piece	0429112006305
B3	Controller (complete)	1 piece	0433817015012
B4	Hydraulic brake (complete)	1 piece	0429112006090
1	Ashpan	1 piece	0429112005600
2	Protection/black	1 piece	0429112005700
3	Grate	1 piece	0428612005520
4	Stone 40x125x211	2 piece	0428712005501
5	Stone 40x339x211	1 piece	0428712005504
6	Stone 40x339x211	1 piece	0428712005505
7	Lower return draft board	1 piece	0429112005507
8	Upper return draft board	1 piece	0429112005508
9	Air supply/black	1 piece	0429112005005
10	Sheet rear left/black	1 piece	0428612006041
11	Sheet rear right/black	1 piece	0428612006038
12	Lateral lining/black	2 piece	0428612005014
13	Blind cover/black	1 piece	0421817006001
14	Covering board/black	1 piece	0428612005800
15	Hood blind/black	1 piece	0428612005087
16	Hood/black	1 piece	0429112215001
17	Set of rail for door closing	1 piece	0429112005035
18	Door spring	1 piece	0429112005020
19	Secondary air damper - automatic	1 piece	0089900470005
20	Controller external air	1 piece	0420114006074
21	Sealing of the back cover	1200 mm	0040212040006
22	Back cover/black	1 piece	0429112005019
23	Sealing of the external air input	1 piece	0530513007349
24	External air input (Ø100)	1 piece	0088500050008

3.2. Detail A1



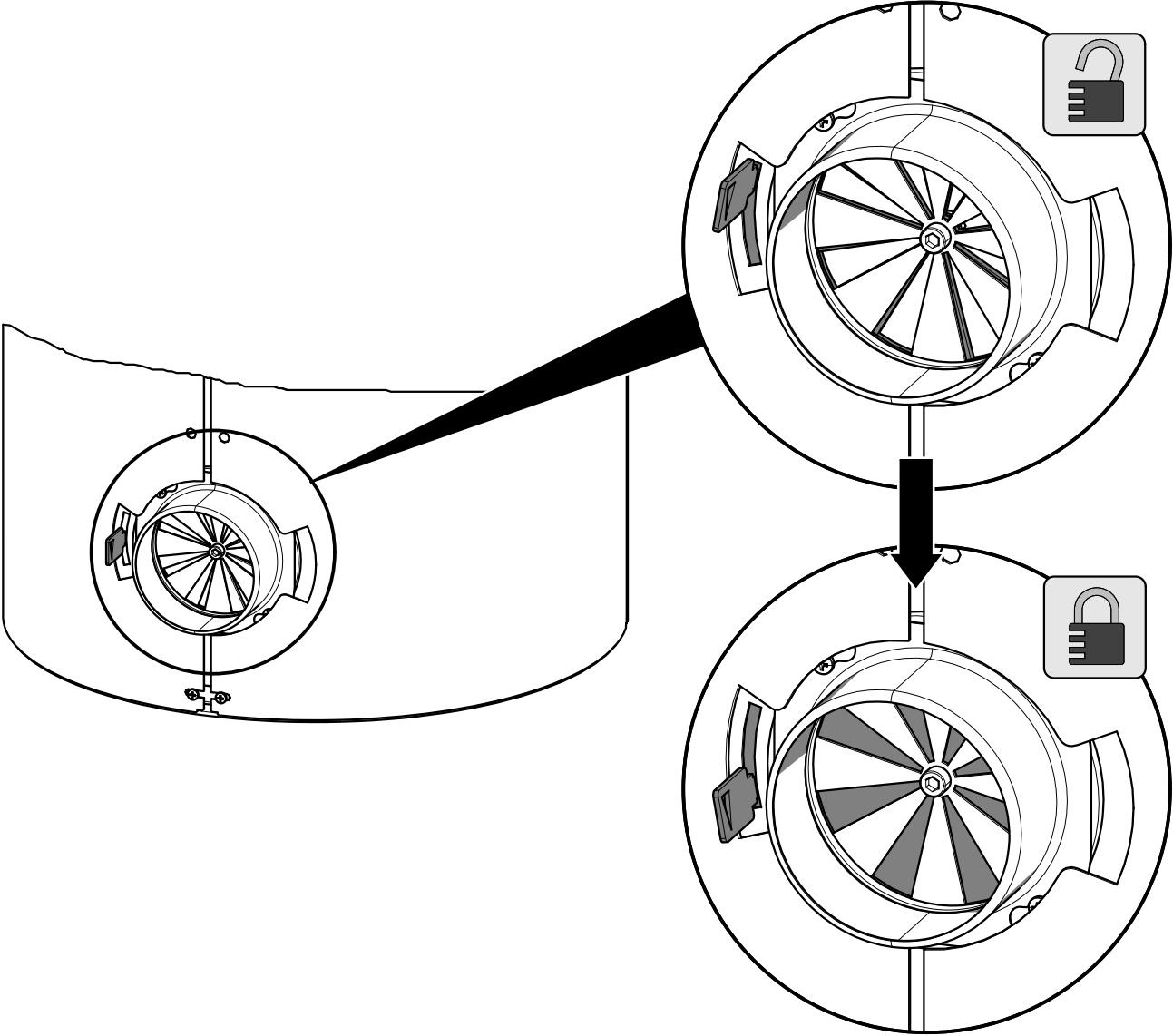
Item	Name	pcs	Spare part number
Detail A1			
A1.1.	Set of door handle	1 piece	0429112006385
A1.2.	Set of door cover/black	2 piece	0428612006321
A1.3.	Set of glass holders/black	2 piece	0433817006365
25	Fire-box door/black	1 piece	0429112205200
26	Sealing of the door 12 mm	2450 mm	0041012120005
27	Glass sealing 25x3 mm	1900 mm	0040225030005
28	Door glass (4xR229x351x540)	1 piece	0428612005310

4. External air regulation

 **WARNING**

In course of burning the air intakes **MUST** be always open!

External air regulation



GB

