

HAAS
+
SOHN

Herborn II

Equipment sheet
Fireplace stove

GB

0429515601400b

Introduction

We thank you very much for purchasing our product!

The description of the heating device will inform you in detail about the design, technical specification and operation of the heating device. We recommend you to acquaint yourselves closely with these data. In this way, you will avoid possible faults during the proper assembly and operation.

You will find detailed conditions of installation and operation in General Manual of Operation (included in the scope of the delivery).

Notes in the text

GB



Of utmost importance there are the notes entitled **WARNING**. The notes entitled **WARNING** advise you on **serious danger of damage to the heating device or of an injury**.



The note entitled **Notice** advises you on possible damage to your heating device.



The note entitled **Important** calls your attention to the information important for the operation of your heating device.



The note itself calls your attention to the information important for the operation of your heating device in general.

Contents

1. Technical data	1
1.1. Suitable fuel, stoking amount of fuel	1
2. Technical description	2
3. Overview of spare parts	3
3.1. Whole emplacement.....	3
3.2. Detail A1	5
3.3. Detail A2, A3, A4	6
4. Easy control	8
5. Conversion of the smoke flue neck	9

1. Technical data

	Block wood	
Achievable heat output	6.4 kW	
Nominal heat output	6 kW	
Energy efficiency	81.5 %	
Average concentration of CO at 13% O ₂	875 mg/Nm ³	698 mg/MJ
Average concentration of dust at 13% O ₂	14 mg/Nm ³	11 mg/MJ
Average concentration of NOx at 13% O ₂	132 mg/Nm ³	100 mg/MJ
Average concentration of OGC at 13% O ₂	64 mg/Nm ³	48 mg/MJ
Three values of combustion products (three specific output parameters of chimneys)		
Amount of combustion products at nominal output	5,4 g/s	
Temperature of combustion products in the smoke flue neck	300 °C	
Minimum draft of the chimney at nominal heat output	12 Pa	

1.1. Suitable fuel, stoking amount of fuel

Fuel:	Max. stoking amount of fuel
Block wood:	1 - 2 logs (max. 1.61 kg)
Length of wood logs:	Max. 30 cm
Saw-dust briquettes (DIN51731):	—
Lignite briquette:	—



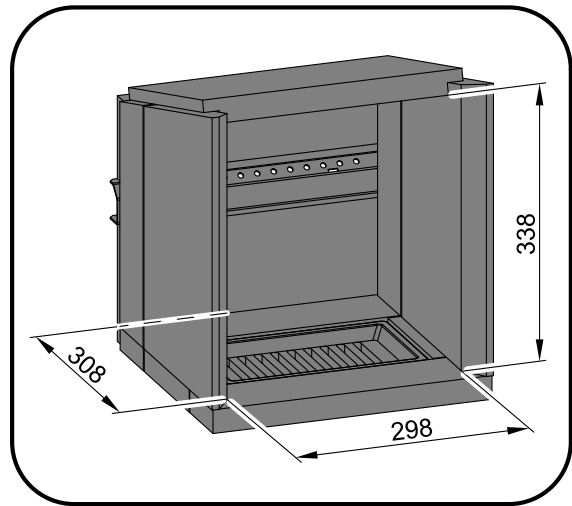
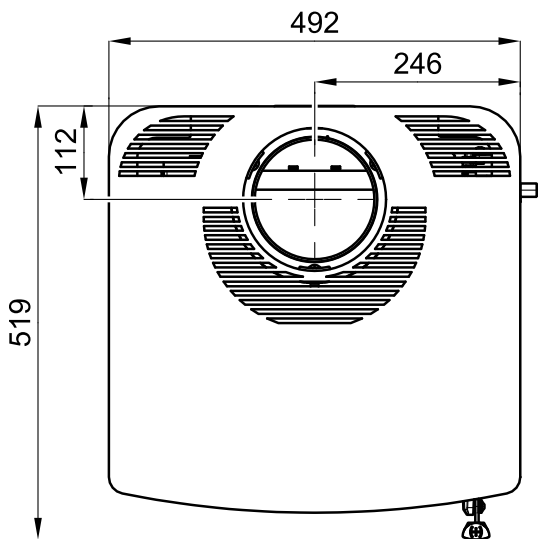
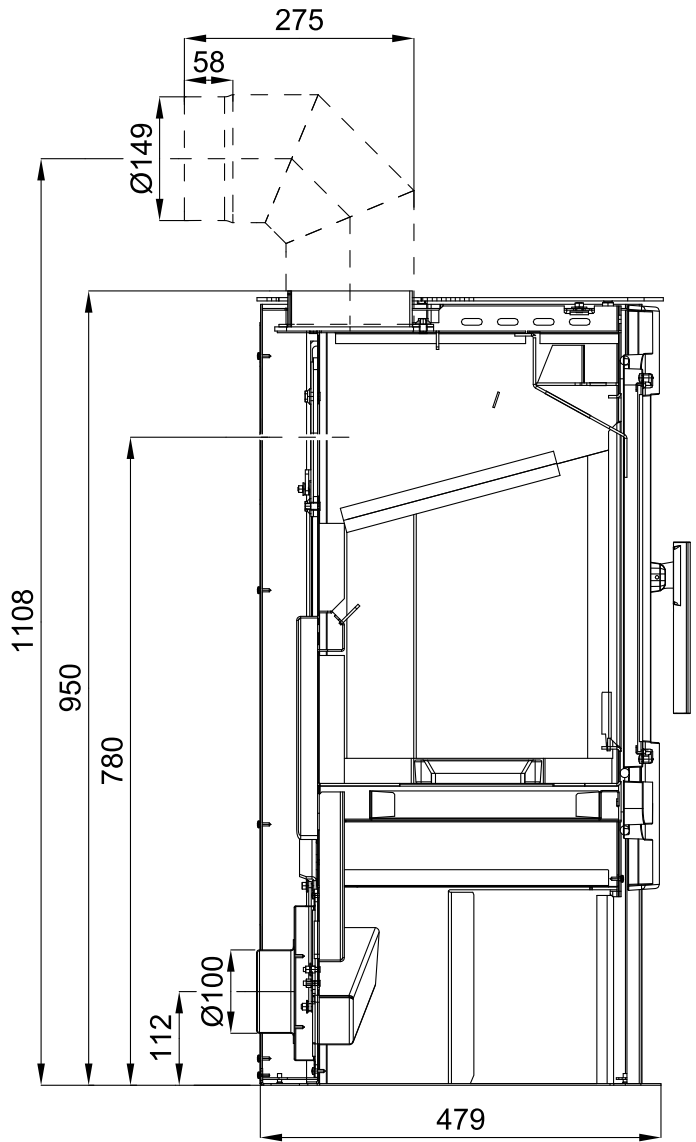
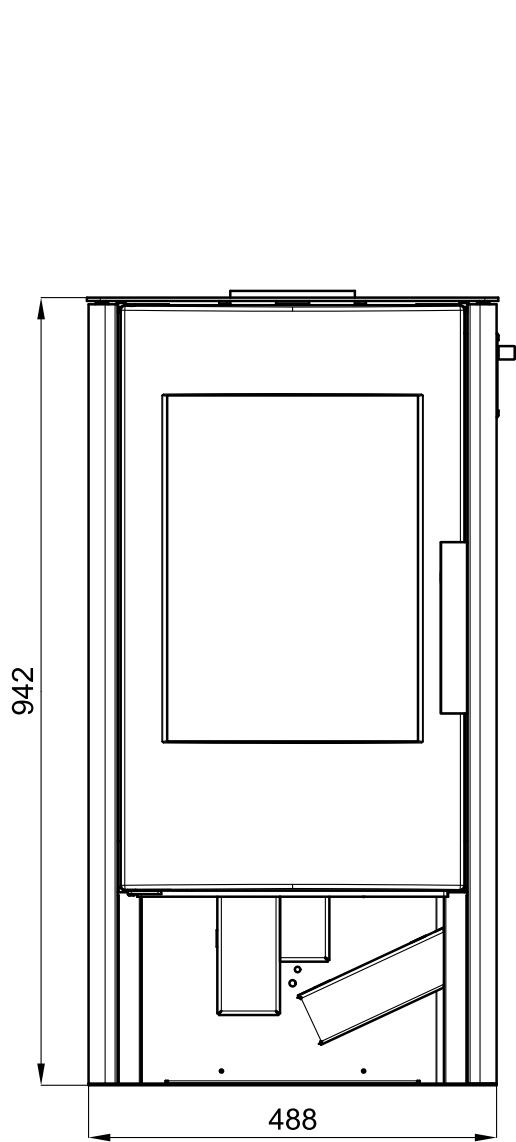
Note

When heating with wood stock, employ solely the types of wood which have been stored for two years and their residual humidity is at most 17 %.

2. Technical description

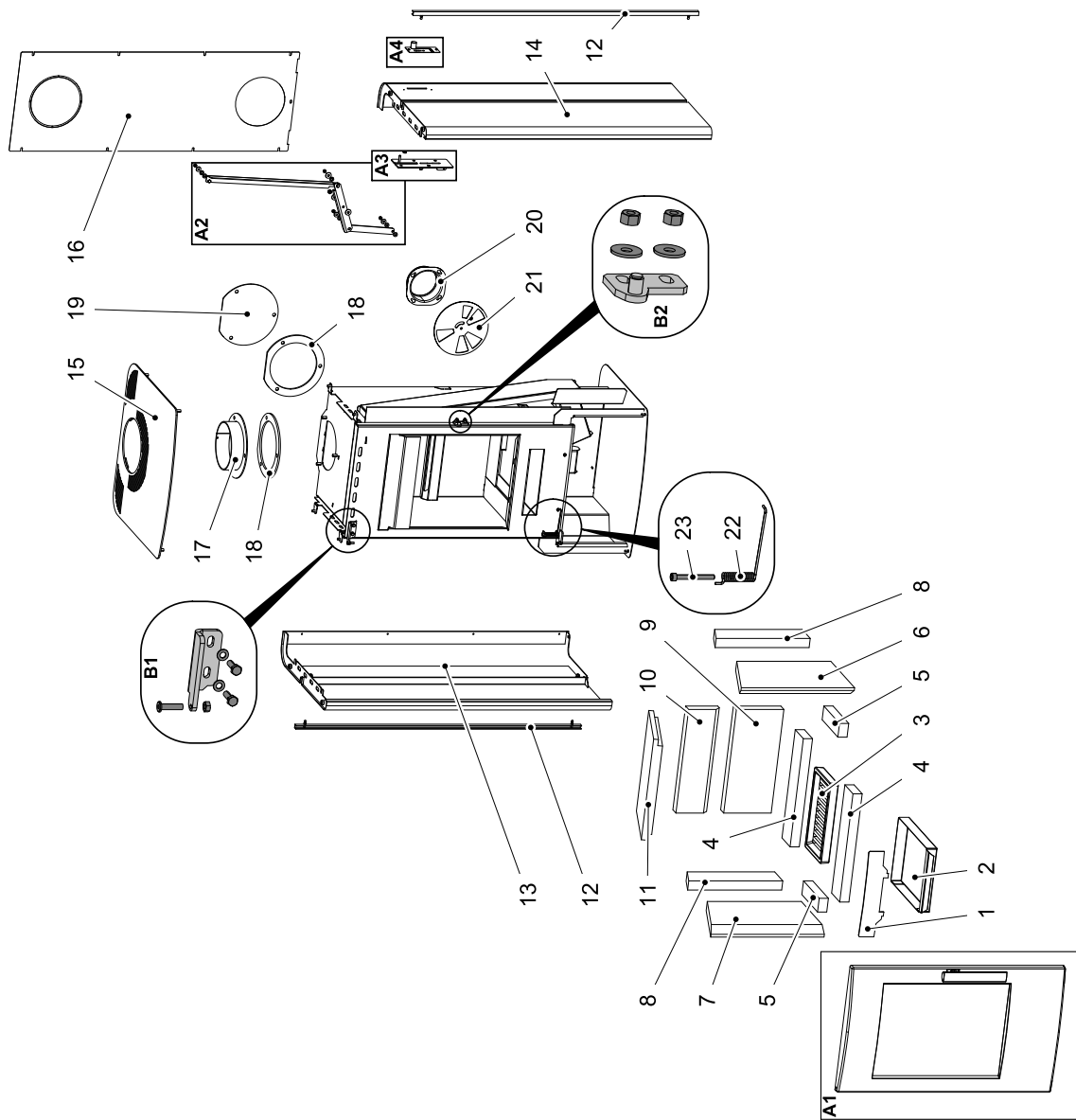
Technical description

GB



3. Overview of spare parts

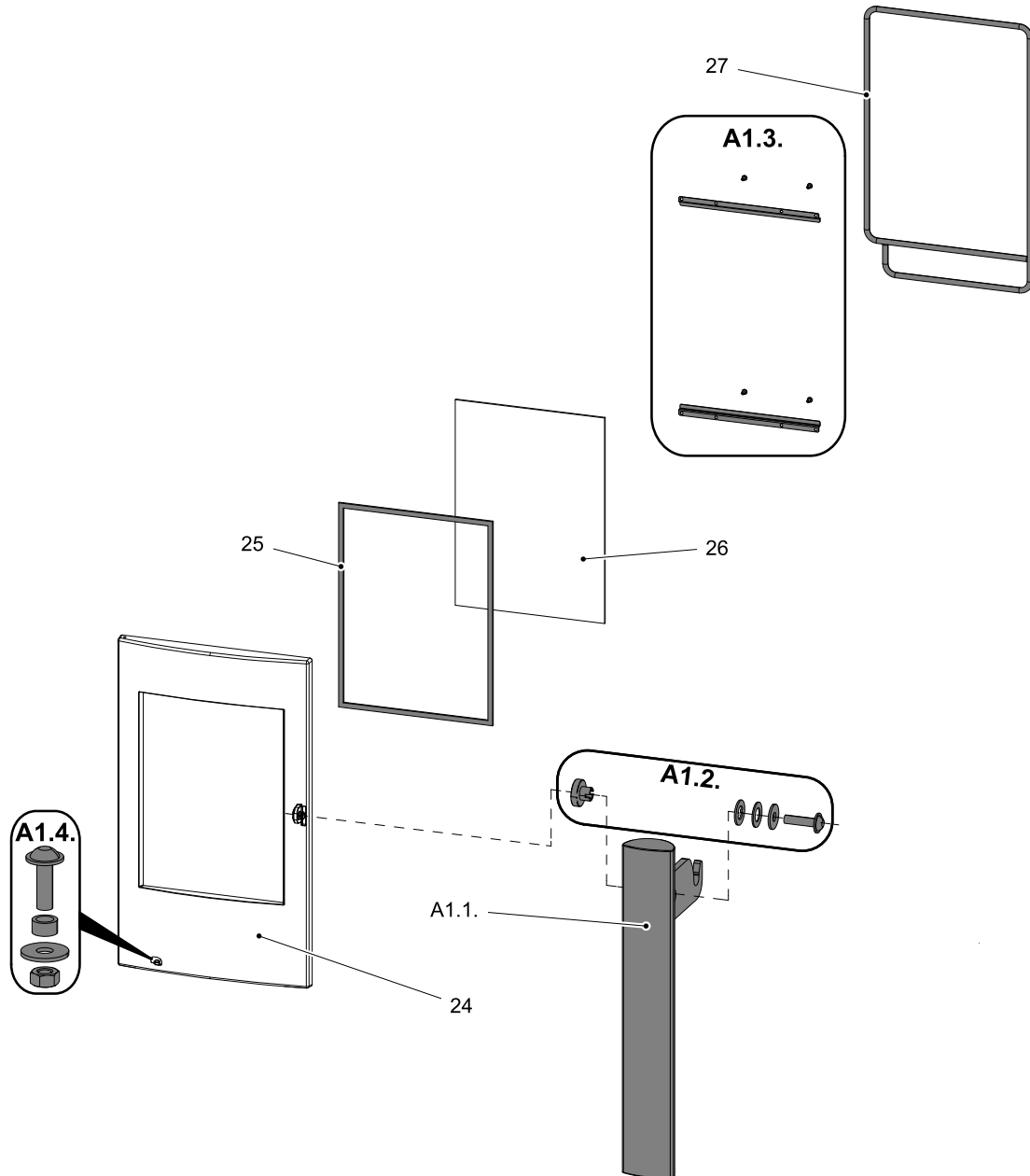
3.1. Whole emplacement



Item	Name	pcs	Spare part number
Whole emplacement			
A1	Fire-box door (complete)/black	1 piece	0429515055300
A1	Fire-box door (complete)/grey	1 piece	0429515057300
A2	Controller drawbar (complete)	1 piece	0429515107665
A3	Controller (complete)/Easycontrol	1 piece	0429515056670
A4	Description (complete)	1 piece	0429617006090
B1	Fire-box door suspension (complete)	1 piece	0429515107040
B2	Door lock (complete)/black	1 piece	0429515057015
B2	Door lock (complete)/grey	1 piece	0429515059015
1	Pile grating/black	1 piece	0429415005036
1	Pile grating/grey	1 piece	0429415006036
2	Ashpan	1 piece	0429415005030
3	Seating of the grate/black	1 piece	0429415005005
3	Seating of the grate/grey	1 piece	0429415007005
4	Fire clay 30x80x355	2 piece	0429415005505
5	Fire clay 30x45x155	2 piece	0429415005506
6	Fire clay 30x235x370	1 piece	0429415005503
7	Fire clay 30x235x370	1 piece	0429415005501
8	Fire clay 30x80x307	2 piece	0429415005502
9	Fire clay 30x153x340	1 piece	0429415005507
10	Fire clay 30x105x340	1 piece	0429415005504
11	Return draft board	1 piece	0429415005703
12	Suspension blade/silver	2 piece	0429515155045
12	Suspension blade/black-glossy	2 piece	0429515055045
13	Left lateral side/black	1 piece	0429515105080
13	Left lateral side/grey	1 piece	0429515106080
14	Right lateral side/black	1 piece	0429515105070
14	Right lateral side/grey	1 piece	0429515103070
15	Covering board/black	1 piece	0429515055800
15	Covering board/grey	1 piece	0429515056800
16	Rear cover	1 piece	0429515006110
17	Smoke flue neck/black	1 piece	0434215005049
17	Smoke flue neck/grey	1 piece	0434215007049
18	Smoke flue sealing	1 piece	0429415005061
19	Blind flange of the smoke flue/black	1 piece	0429415005048
19	Blind flange of the smoke flue/grey	1 piece	0429415006048

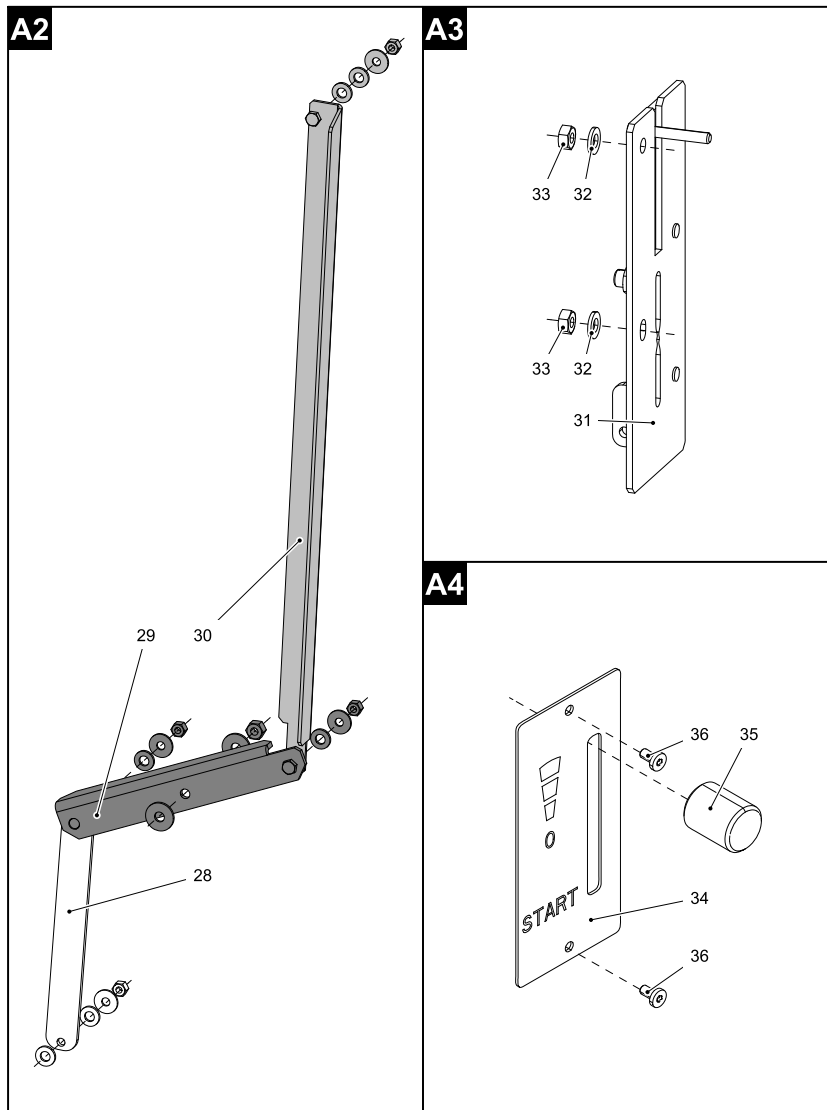
20	External air mouthpiece (Ø100)	1 piece	0088500050008
21	Sliding valve	1 piece	0429515055645
22	Spring of the door of the fire-box	1 piece	0088400200005
23	Screw M5x45 DIN 912	1 piece	0030030500455

3.2. Detail A1



Item	Name	pcs	Spare part number
Detail A1			
A1.1. + A1.2.	Hand pull with hand pull attachment + Set of door screw coupling	1 piece	0429515057318
A1.3.	Set of glass holders/black	1 piece	0429415005310
A1.3.	Set of glass holders/grey	1 piece	0429415006310
A1.4.	Set of carrying screws	1 piece	0030380500166
24	Fire-box door/black	1 piece	0429515055305
24	Fire-box door/grey	1 piece	0429515056305
25	Glass sealing 10x4 mm	1250 mm	0040210040005
26	Door glass (4x438x320)	1 piece	0429515055306
27	Sealing of the door 11 mm	2200 mm	0040300110005

3.3. Detail A2, A3, A4



Item	Name	pcs	Spare part number
Detail A2			
28	Sliding valve 1 — set	1 piece	-
29	Sliding valve 2 — set	1 piece	-
30	Sliding valve 3 — set	1 piece	-
Detail A3			
31	Controller/Easycontrol	1 piece	-
32	Annex 5.3 DIN 9021	2 piece	-
33	Nut M5 DIN 980V	2 piece	-
Detail A4			
34	Description	1 piece	0429415005171
35	Controller handle	1 piece	0420915005625
36	Screw M3x10 BN 9524	2 piece	-

4. Easy control

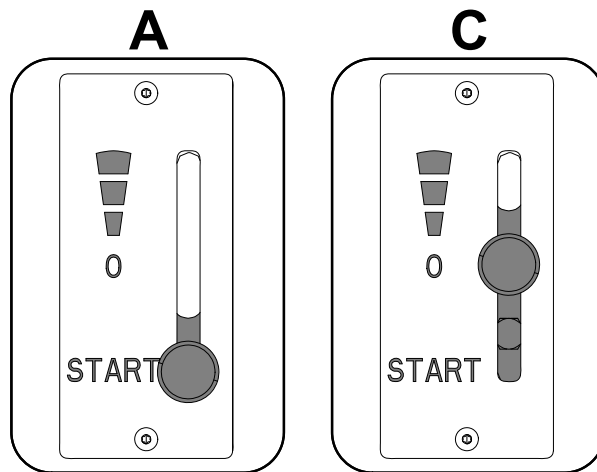
Control of all three air inputs - primary, secondary, tertiary - by means of one sole controller.

1. The controller is in the position intended for ignition (fig. A). All three air inputs are open (primary, secondary, tertiary).
2. The controller is in the position intended for burning of the stove after ignition (fig. B).
3. The controller is in the position designed to close air inputs (Fig. C). No input is open (primary, secondary, tertiary). This position is used only when the stove is out of operation, after finishing the heating process.

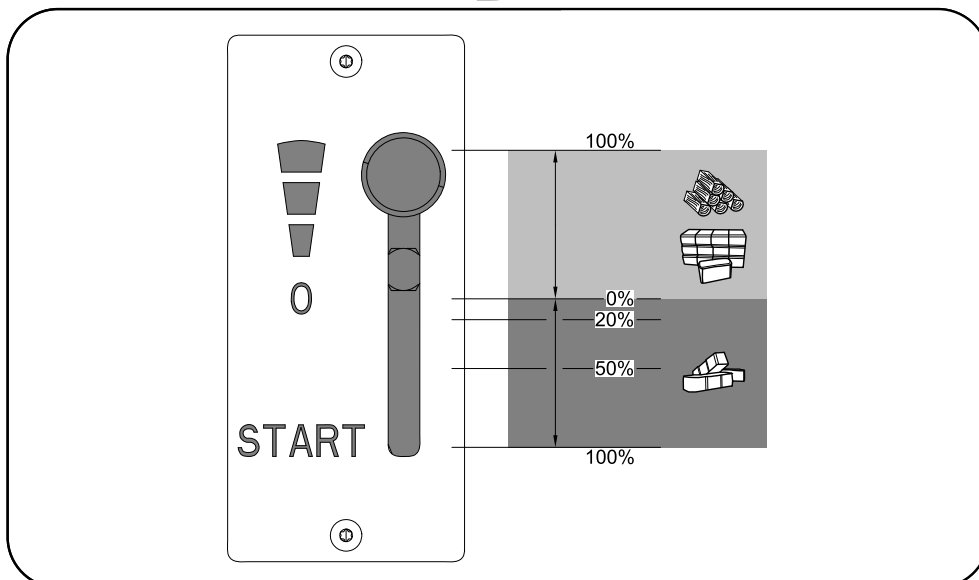


WARNING

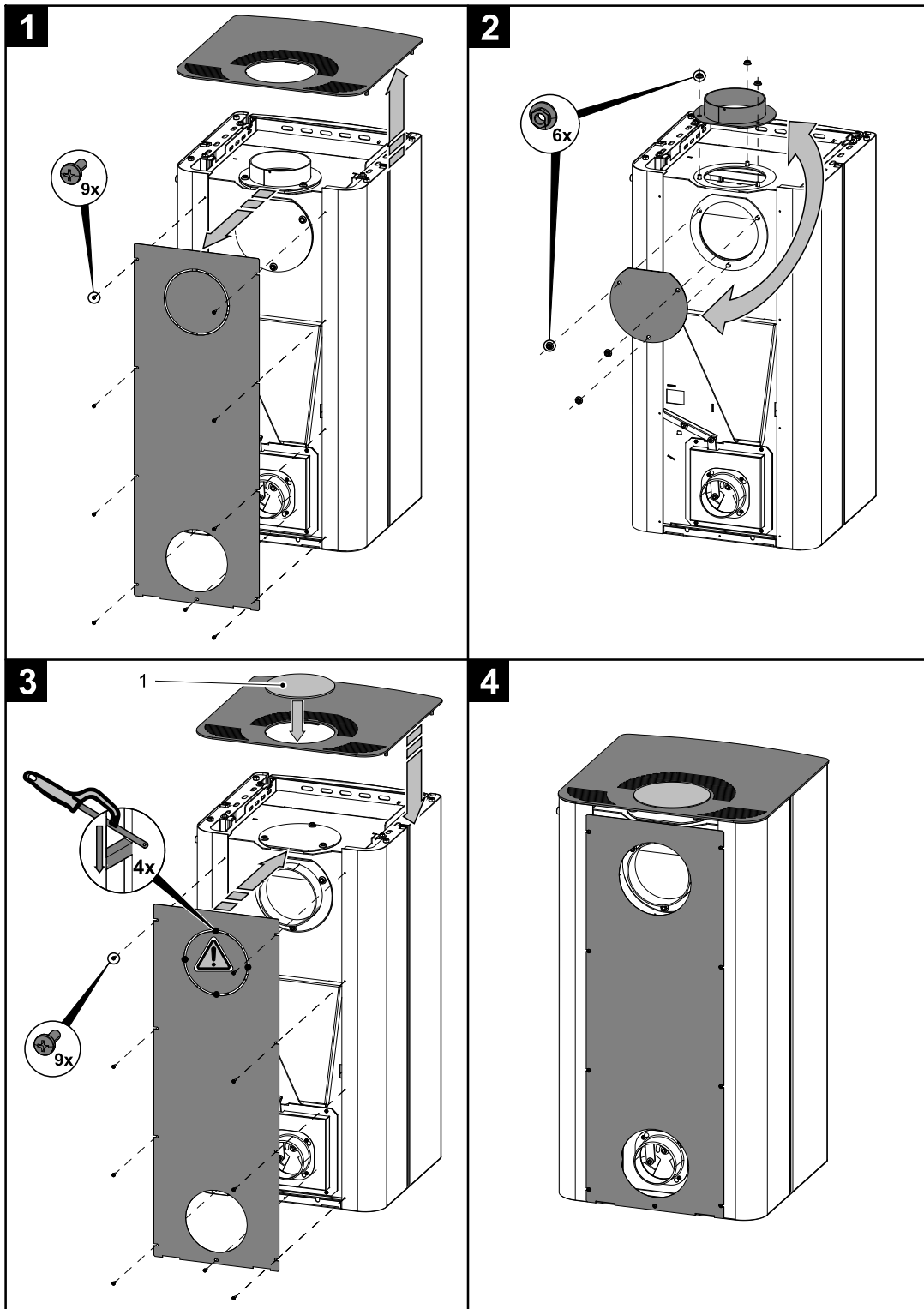
Air inputs may not be closed during the heating operation (Fig. C)! In an extreme case, there can occur an explosion in the stove followed by breaking of glass, blowing up of cinders across the room and breaking out of the fire.



B



5. Conversion of the smoke flue neck



Conversion of the smoke flue neck

GB

Item	Name	Piece	Spare part number
1	Blind cover/black	1 piece	0429515052025
1	Blind cover/grey	1 piece	0429515054025

