

HAAS  
+  
SOHN

# Madeira

**Equipment sheet**  
Fireplace stove

**GB**

0429617501400e

# Introduction

**We thank you very much for purchasing our product!**

The description of the heating device will inform you in detail about the design, technical specification and operation of the heating device. We recommend you to acquaint yourselves closely with these data. In this way, you will avoid possible faults during the proper assembly and operation.

**You will find** detailed conditions of installation and operation in General Manual of Operation (included in the scope of the delivery).

## Notes in the text

GB



Of utmost importance there are the notes entitled **WARNING**. The notes entitled **WARNING** advise you on **serious danger of damage to the heating device or of an injury**.



The note entitled **Notice** advises you on possible damage to your heating device.



The note entitled **Important** calls your attention to the information important for the operation of your heating device.



The note itself calls your attention to the information important for the operation of your heating device in general.

# Contents

<b>1. Technical specification</b> .....	1
1.1. Suitable fuel, stoking amount of fuel .....	1
<b>2. Technical description</b> .....	2
2.1. Dimensioned diagram of the fire-box .....	3
<b>3. Dimensioned diagram</b> .....	4
3.1. Knee-piece of exhaust of combustion products .....	4
<b>4. Easy control</b> .....	5
<b>5. Change of the smoke neck</b> .....	6
<b>6. Included in the scope of delivery</b> .....	7



# 1. Technical specification

	<b>Block wood</b>
	<b>Nominal output</b>
Achievable heat output	6,4 kW
Nominal heat output	6 kW
Testing standard	EN 13240
Energy efficiency	81,5 %
Average concentration of CO at 13% O <sub>2</sub>	0,07 %
Average concentration of CO at 13% O <sub>2</sub>	875 mg/Nm <sup>3</sup>
Average concentration of dust at 13% O <sub>2</sub>	14 mg/Nm <sup>3</sup>
Average concentration of NOx at 13% O <sub>2</sub>	132 mg/Nm <sup>3</sup>
Average concentration of OGC at 13% O <sub>2</sub>	69 mg/Nm <sup>3</sup>
Average concentration of CO at 0% O <sub>2</sub>	698 mg/MJ
Average concentration of dust at 0% O <sub>2</sub>	11 mg/MJ
Average concentration of NOx at 0% O <sub>2</sub>	100 mg/MJ
Average concentration of OGC at 0% O <sub>2</sub>	43 mg/MJ
Amount of combustion products at nominal output	5,4 g/s
Temperature of combustion products in the smoke flue neck	300 °C
Minimum draft of the chimney at nominal heat output	12 Pa

## 1.1. Suitable fuel, stoking amount of fuel

Fuel:	Max. stoking amount of fuel
Wood stock:	2 logs (max. 1,6 kg)
Length of wood logs:	Max. 33 cm

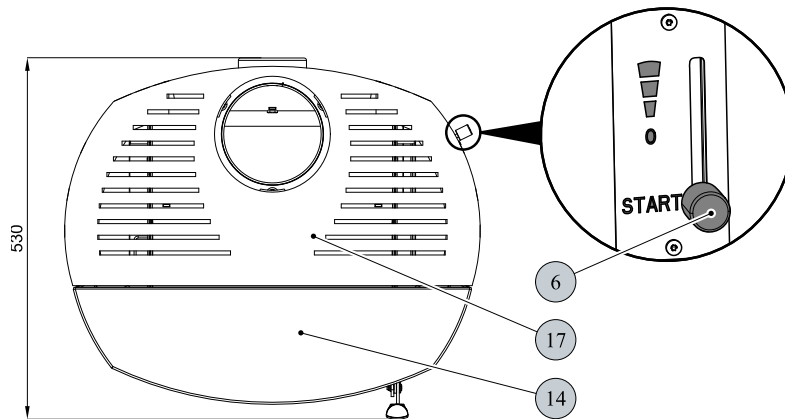
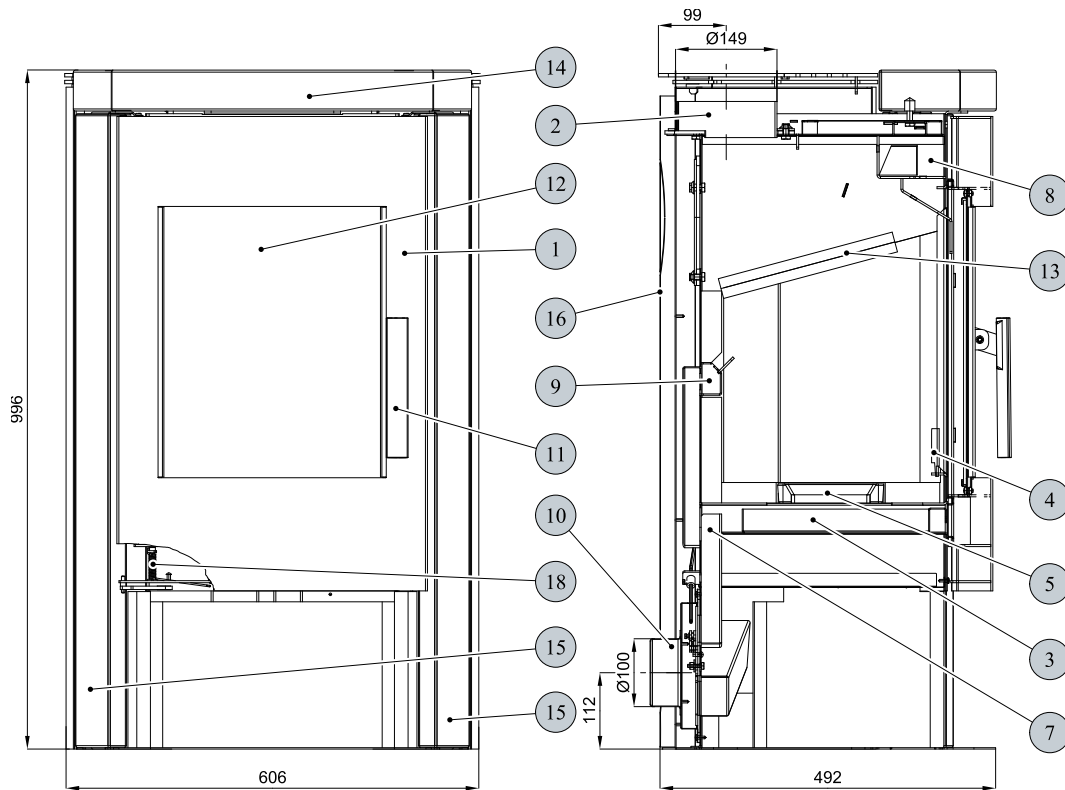


### Note

When heating with wood stock, employ solely the types of wood which have been stored for two years and their residual humidity is 17 % at the most.

# 2. Technical description

Technical description

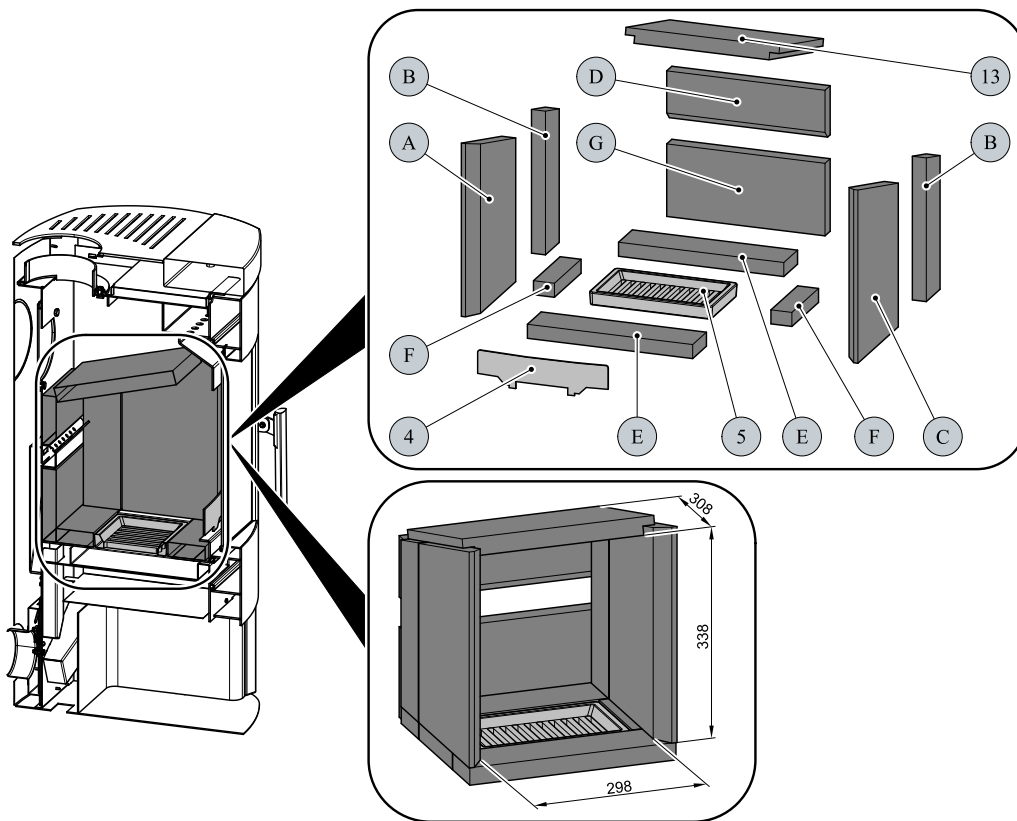


GB

Item	Name	Number of goods
1	Fire-box door/black	0429617005300
2	Smoke flue neck/black	0434215005049
3	Ash pan/black	0429415005030
4	Protection/black	0429415005036
5	Grate/black	0429415005005
6	Easy control —hand pull of the controller	0429415006625
7	Input of primary air	—
8	Input of secondary air	—
9	Output of tertiary air	—
10	External air input (Ø100)	0088500050008
11	Lever lock of fire-box door	0429415005318
12	Refractory glass (333x417)	0429617005301

13	Screen loose (30x264x330)	0429415005703
14	Upper lining/Speckstein antik	0429617026102
14	Upper lining/Wood stone	0429617006102
15	Lateral lining/Speckstein antik	0429617026101
15	Lateral lining/Wood stone	0429617006101
16	Rear cover	0429617005046
17	Lid/black	0429617005800
18	Door spring	0088400200005
—	Sealing cord of the door 12 mm (2150 mm)	0041012120005
—	Sealing cord of the glass 14 mm (940 mm)	0040014140005
—	Sealing cord of the glass 8x2 mm (650 mm)	0040208020006
—	Sealing cord of glass holders 8x2 mm (660 mm)	0040208020006

## 2.1. Dimensioned diagram of the fire-box



Item	Name	Number of goods
4	Protection/black	0429415005036
5	Grate/black	0429415005005
13	Screen loose (30x264x330)	0429415005703
A	Brick 30x235x370	0429415005501
B	Brick 30x80x307	0429415005502
C	Brick 30x235x370	0429415005503
D	Brick 30x105x340	0429415005504
E	Brick 30x80x355	0429415005505
F	Brick 30x45x155	0429415005506
G	Brick 30x153x340	0429415005507

# 3. Dimensioned diagram

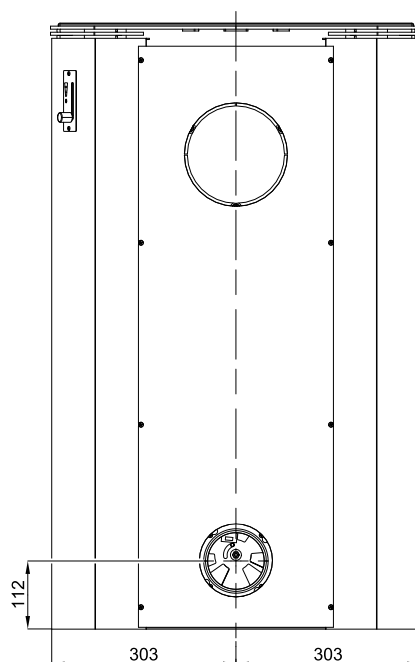
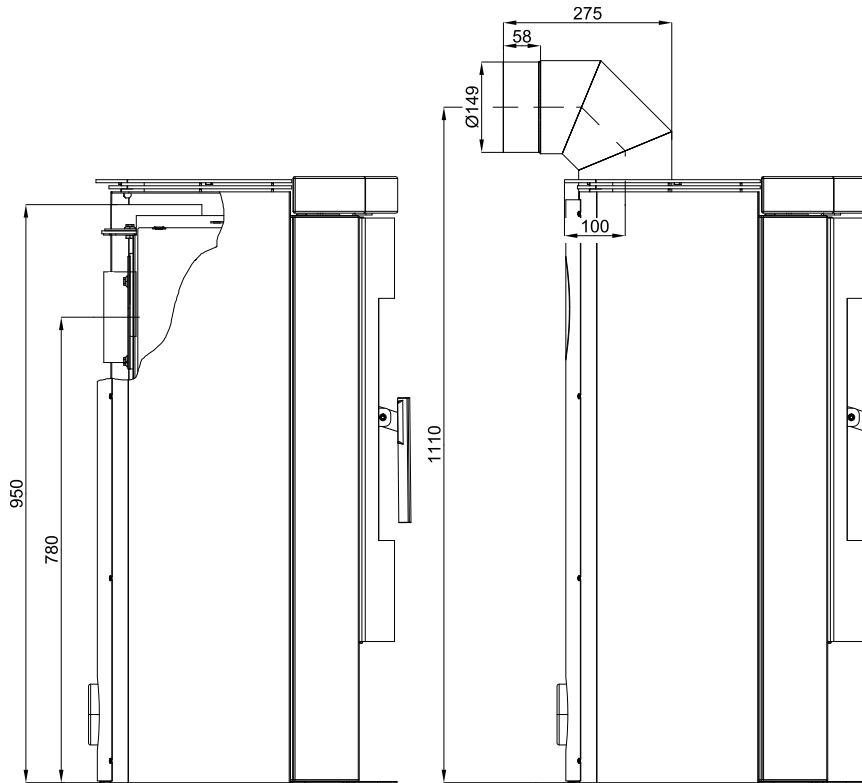
## 3.1. Knee-piece of exhaust of combustion products



Note

The knee-piece of exhaust of combustion products is delivered as optional accessory

Dimensioned diagram



GB



# 4. Easy control

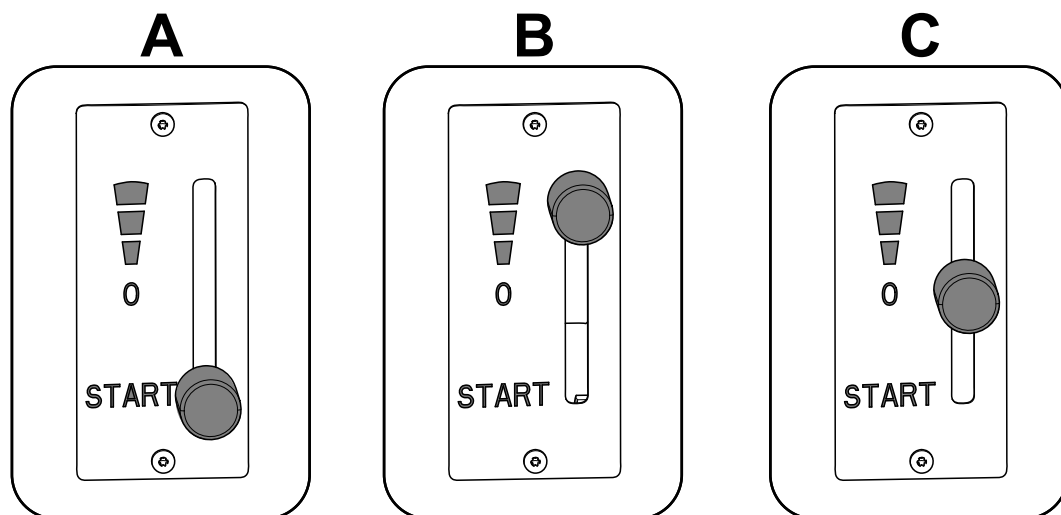
Control of all three air inputs - primary, secondary, tertiary - by means of one sole controller.

1. The controller is in the position intended for ignition (fig. A). All three air inputs are open (primary, secondary, tertiary).
2. The controller is in the position intended for burning of the stove after ignition (fig. B). Two air inputs are opened only (secondary, tertiary).
3. The controller is in the position designed to close air inputs (Fig. C). No input is open (primary, secondary, tertiary). This position is used only when the stove is out of operation, after finishing the heating process.



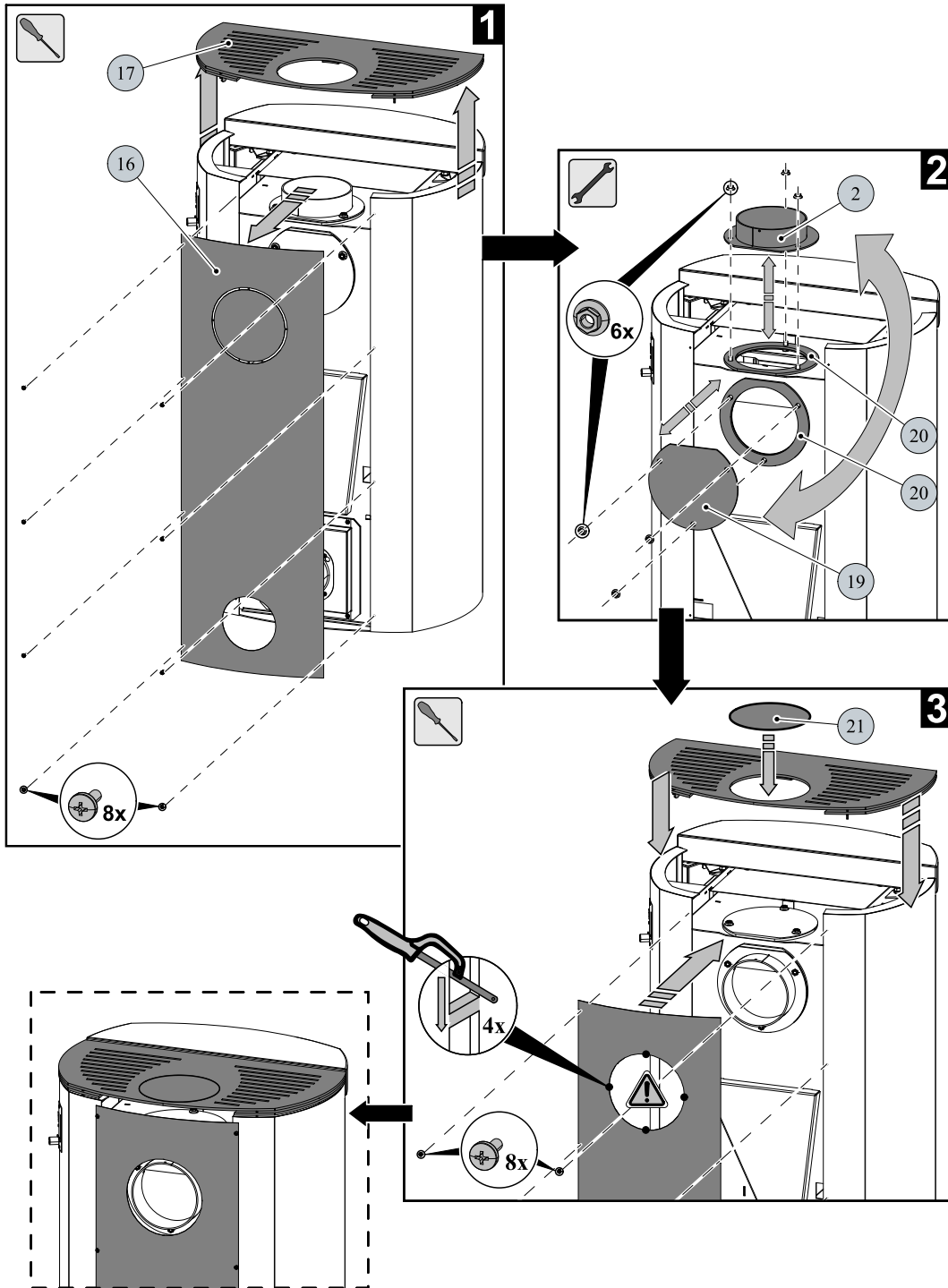
## WARNING

Air inputs may not be closed during the heating operation (Fig. C)! In an extreme case, there can occur an explosion in the stove followed by breaking of glass, blowing up of cinders across the room and breaking out of the fire.



# 5. Change of the smoke neck

Change of the smoke neck

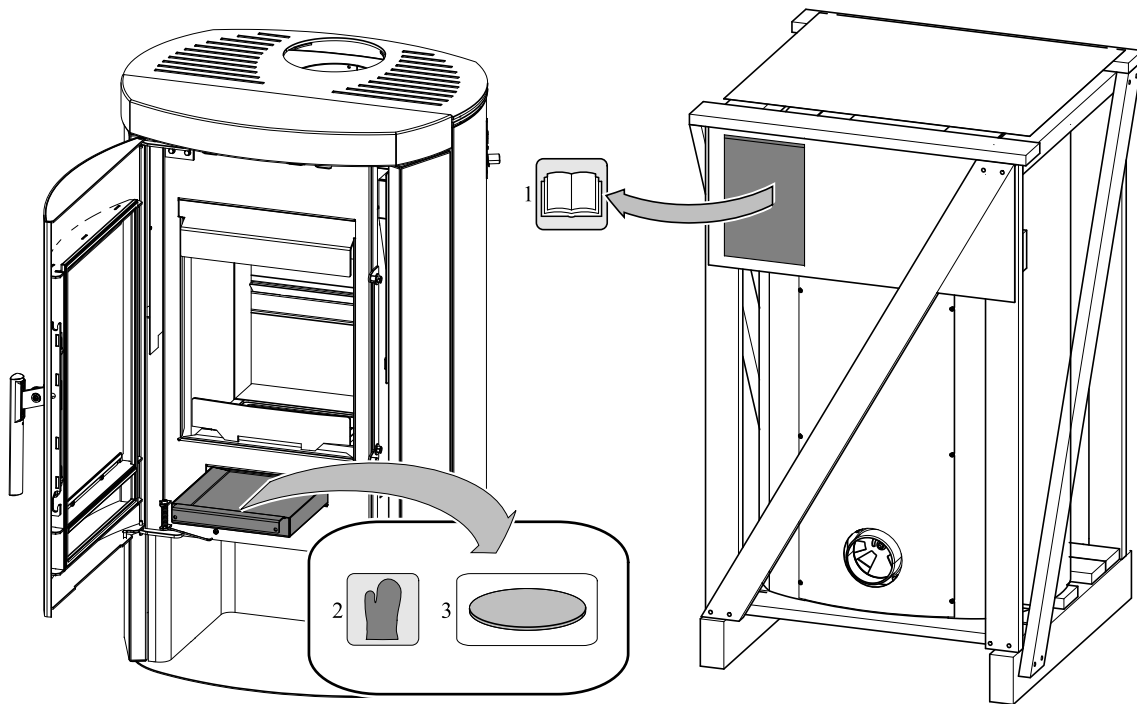


GB

Item	Name	Number of goods
2	Smoke flue neck/black	0434215005049
16	Rear cover	0429617005046
17	Lid/black	0429617005800
19	Blind flange of the smoke flue/black	0429415005048
20	Sealing cord of the smoke flue	0040210040005
21	Blind flange of the lid/black	0421817006001

# 6. Included in the scope of delivery

Item	Name	
1	Technical documentation, certificate of guarantee	-
2	Holder	1 piece
3	Blind flange of the lid/black	1 piece



Included in the scope of delivery

GB