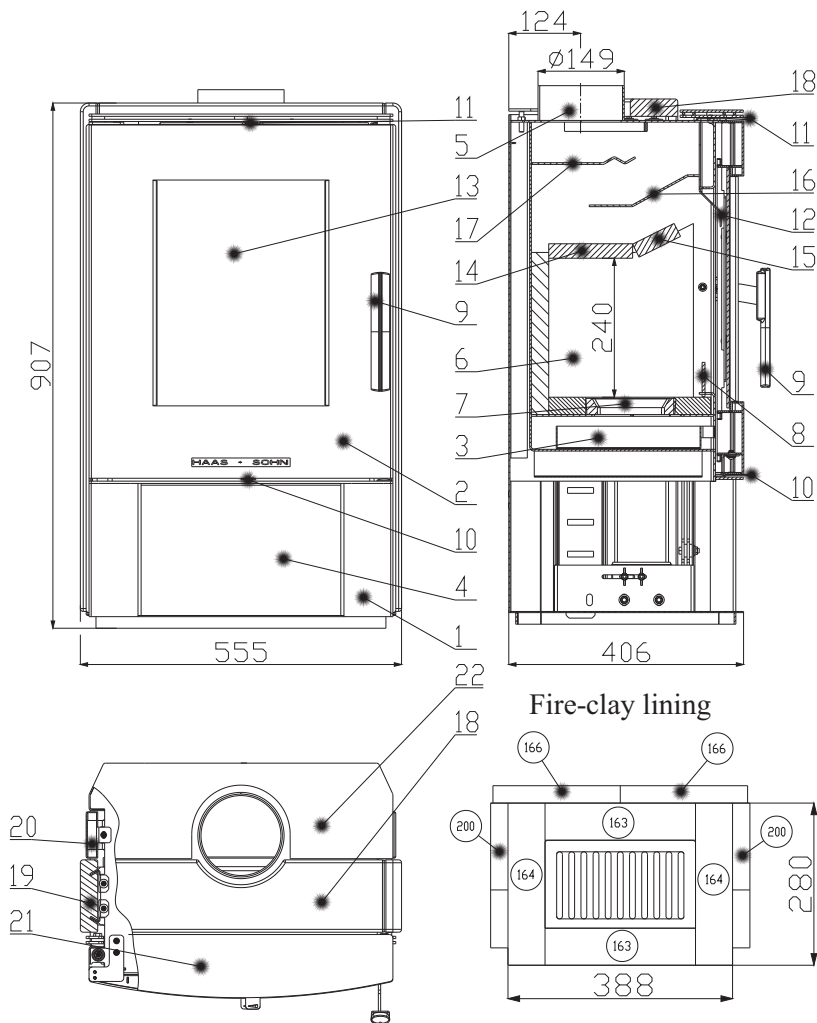




0430415531400c

HAAS+SOHN

TECHNICAL SHEET
of the fireplace stove
Malung Rainbow



Suitable fuel:

As concerns suitable fuel to be employed, see the chapter **2.2 Fuel** in the General Manual of Operation.

Proper operation:

As concerns the proper and safe operation of the fireplace stove, see the chapters **2. Description of the combustion process** and **5. Operating instructions** in the General Manual of Operation.

Fire-clay No.	Dimension	Goods No.
200	330x250x30	0050102000005
166	280x220x30	0050101660005
164	278x63x30	0050101640005
163	260x63x30	0050101630005

TECHNICAL DESCRIPTION:

Pos.	Name	Goods No.	Pos.	Name	Goods No.
1	Stove body	-	14	Lower lip I - loose	0430815015023
2	Fire-box door	0430415005300	15	Lower lip II - loose	0427415015010
3	Ash pan	0433017005600	16	Middle lip - fixed	-
4	Fuel bunker	-	17	Upper lip - fixed	-
5	Smoke flue neck	-	18	Ceramic upper lining	0430415016108
6	Fire-clay lining	-	19	Ceramic lateral lining	0430415016109
7	Cast-iron grate	0020100130007	20	Metal lateral lining	0430415016104
8	Protection	0430415005508	21	Front lid	0430415015800
9	Lever lock of the fire-box door	0430415005418	22	Rear lid	0430415015805
10	Controller of primary air	0430415005308			
11	Controller of secondary air	0430415005008			
12	Intake of secondary air	-		Sealing cord of the door 14 mm	0040014140005
13	Refractory glass	0618516005301		Sealing cord of the glass 10x2 mm	0040208020005



TECHNICAL INFORMATION

INSTRUCTIONS FOR THE CONTROL OF COMBUSTION PROCESS:

Fuel	Output of the heating device					
	100%	70%	100%	70%	100%	70%
	Amount of fuel		Primary air		Secondary air	
Blockwood	2,2kg/h	1,6 kg/h	closed	closed	open 100%	open 70%
Ecological briquettes	1,9 kg/h	1,4 kg/h	closed	closed	open 100%	open 70%
Coal briquettes	1,5 kg/h	1,1 kg/h	closed	closed	open 100%	open 70%

TECHNICAL DATA:	Blockwood	Ecological briquettes	Coal briquettes		
Achieved heat output (100%)	7,4 kW	7,2 kW	-	Height	907 mm
Nominal heat output	7 kW	7 kW	-	Width	555 mm
Reduced heat output (70%)	5,2 kW	5 kW	-	Depth	406 mm
Maximum stoking amount of the fuel	2,2 kg/h	1,9 kg/h	-	Diameter of the smoke flue	150 mm
Average temperature of combustion products behind the smoke flue neck	290 °C	310 °C	-	Weight	118 kg
Maximum mass flow of dry combustion products	6,8 g/s	6,6 g/s	-	Min. chimney stack draught in the smoke flue neck	10 Pa
Energy efficiency	80,7 %	78,4 %	-	Heating capacity (middle heat losses) at 7,5 kW	cca. 140 m ³
Average concentration of CO ₂	9,3 %	9,6 %	-	Range of outputs	2 – 7,4 kW
Concentration of CO in combustion products at 13 % O ₂	0,10 %	0,05 %	-		
Tested in compliance with EN 13 240					



DIMENSIONED DIAGRAM OF THE FIREPLACE STOVE WITH INSTALLATION OF KNEE-PIECE FOR EXHAUST OF COMBUSTION PRODUCTS, DELIVERED AS OPTIONAL ACCESSORY

