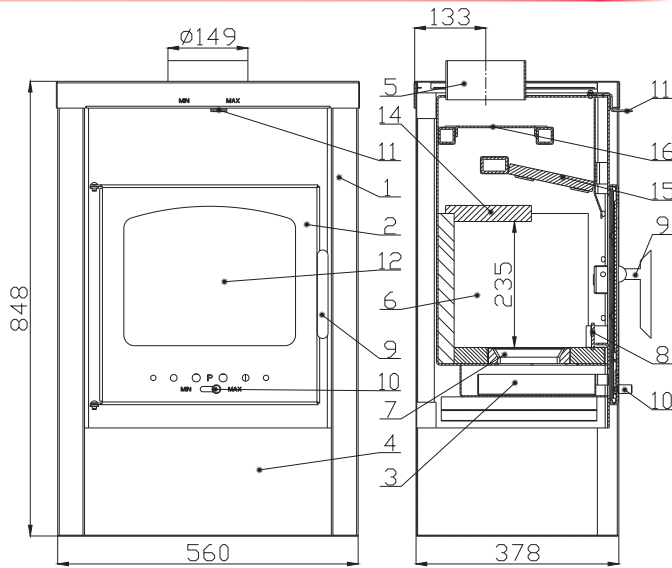


0430815041402e

HAAS+SOHN

HAAS+SOHN Rukov, s.r.o. • www.haassohn-rukov.cz



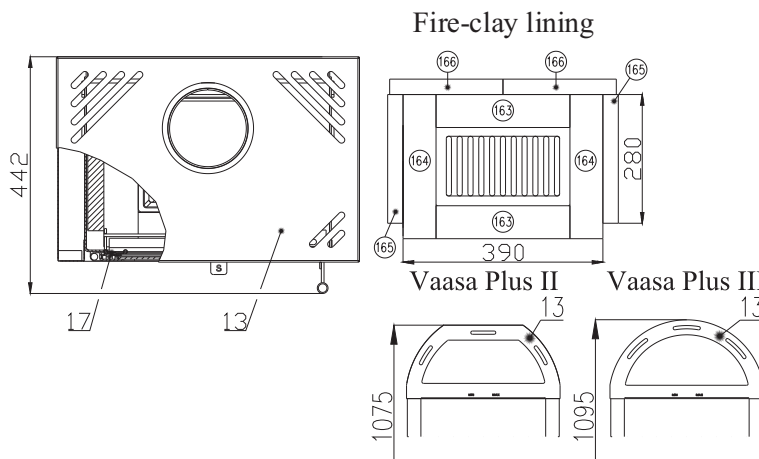
TECHNICAL SHEET of the fireplace stove Vaasa Plus I

Suitable fuel:

As concerns suitable fuel to be employed, see the chapter **2.2 Fuel** in the General Manual of Operation.

Proper operation:

As concerns the proper and safe operation of the fireplace stove, see the chapters **2. Description of the combustion process** and **5. Operating instructions** in the General Manual of Operation.



Ordering number of the shaped block	Dimension	Goods No.
163	260x63x30	0050101630005
164	274x62,5x30	0430815005501
165	280x250x30	0050101650005
166	280x220x30	0050101660005

INSTRUCTIONS FOR THE CONTROL OF COMBUSTION PROCESS:

Fuel	Output of the heating device		Output of the heating device		Output of the heating device			
	100%	70%	100%	70%	100%	70%		
	Amount of fuel		Primary air		Secondary air			
Blockwood	2,1 kg/h	1,5 kg/h	shut	shut	open 100%	open 70%		

TECHNICAL DESCRIPTION:

Position	Name	Position	Name	
1	Stove body	13	Removable upper cover - Vaasa Plus I	0430815016800
2	Fire-box door	13	Removable upper cover - Vaasa Plus II	0430815026800
3	Ash pan	13	Removable upper cover - Vaasa Plus III	0430815036800
4	Fuel bunker	13	Removable upper cover - Vaasa Plus IV	0430815046800
5	Smoke flue neck	13	Removable upper cover - Vaasa Plus V	0430815056800
6	Fire-clay lining	13	Removable upper cover - Vaasa Plus VI	0430815066800
7	Cast-iron grate	14	Lower lip - loose	0430815005023
8	Protection	15	Middle lip - loose	0430815005024
9	Lever lock of the fire-box door	16	Upper lip - loose	0430815006015
10	Controller of primary air	17	Spring of door shutting	0088400020005
11	Controller of secondary air		Sealing cord of the door 8 mm	0040300080005
12	Refractory glass		Sealing cord of the glass 10x4 mm	0040210040005

TECHNICAL DATA:

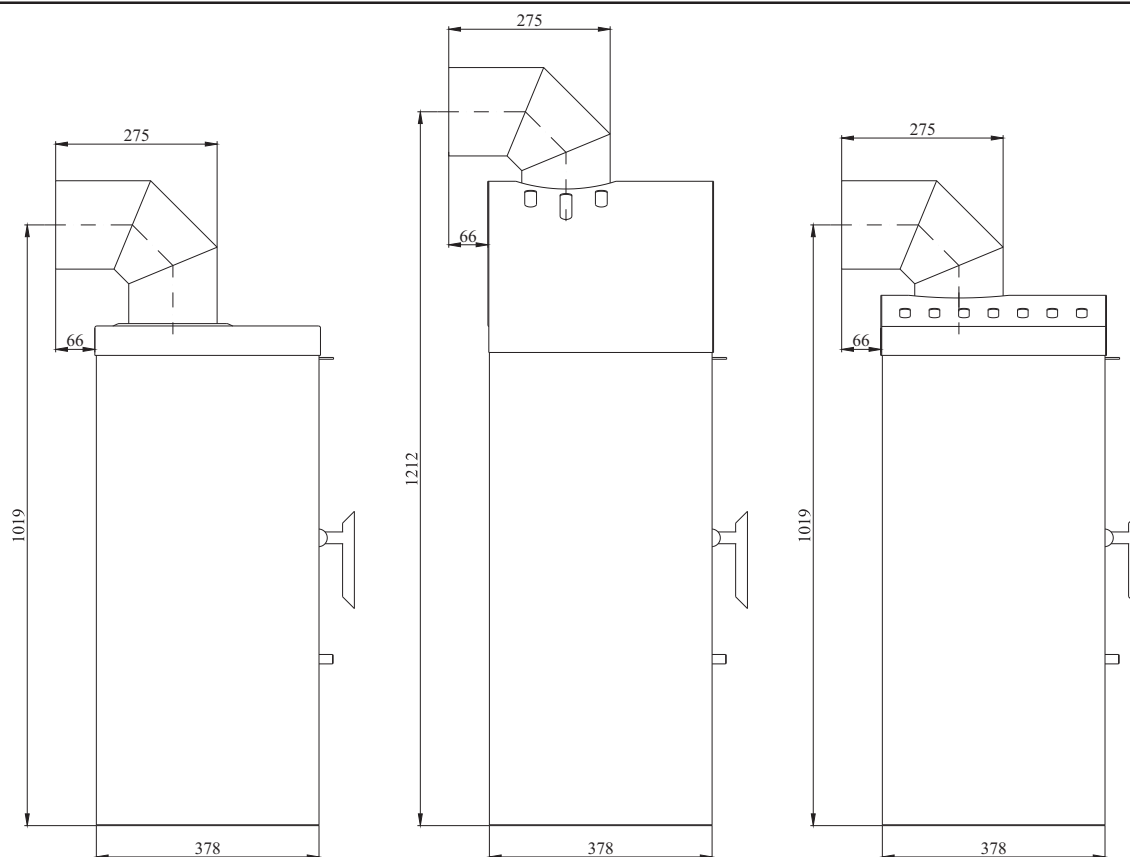
	Wood		
Achieved heat output (100%)	7,2 kW	Height - Vaasa I - II - III - IV - V - VI	848-1075-1095-900-876-1047 mm
Nominal heat output	7 kW	Width	560 mm
Reduced heat output (70%)	5 kW	Depth	378 mm
Maximum stoking amount of the fuel	2,1 kg/hod	Weight - Vaasa I - II - III - IV - V - VI	88-89-88-86-85-91 kg
Average temperature of combustion products behind the smoke flue neck	346 °C	Diameter of the smoke flue	150 mm
Maximum mass flow of dry combustion products	7,4 g/s	Min. chimney stack draught in the smoke flue neck	10 Pa
Energy efficiency	78,9 %	Heating capacity (middle heat losses) at 8,3 kW	Max. 149 m ³
Average concentration of CO ₂	8,3	Range of outputs	4,9 – 8,3 kW
Concentration of CO in combustion products	0,06		

Tested in compliance with ČSN EN 13240:2002/A2:2005



DIMENSIONED DIAGRAM OF THE FIREPLACE STOVE

- WITH INSTALLATION OF KNEE-PIECE FOR EXHAUST OF COMBUSTION PRODUCTS, DELIVERED AS OPTIONAL ACCESSORY – VAASA I, IV, V
- WITH INSTALLATION OF KNEE-PIECE FOR EXHAUST OF COMBUSTION PRODUCTS AND PIPE Ø150/250, DELIVERED AS OPTIONAL ACCESSORY – VAASA II, III, VI



Vaasa Plus I

Vaasa Plus II

Vaasa Plus IV

Vaasa Plus III

Vaasa Plus V

Vaasa Plus VI

