



0431715011400d

HAAS+SOHN

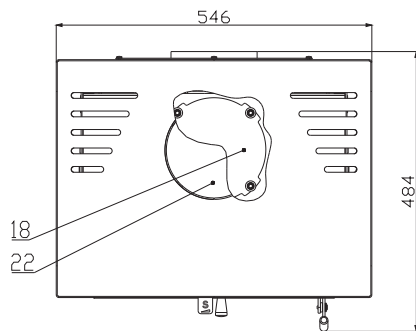
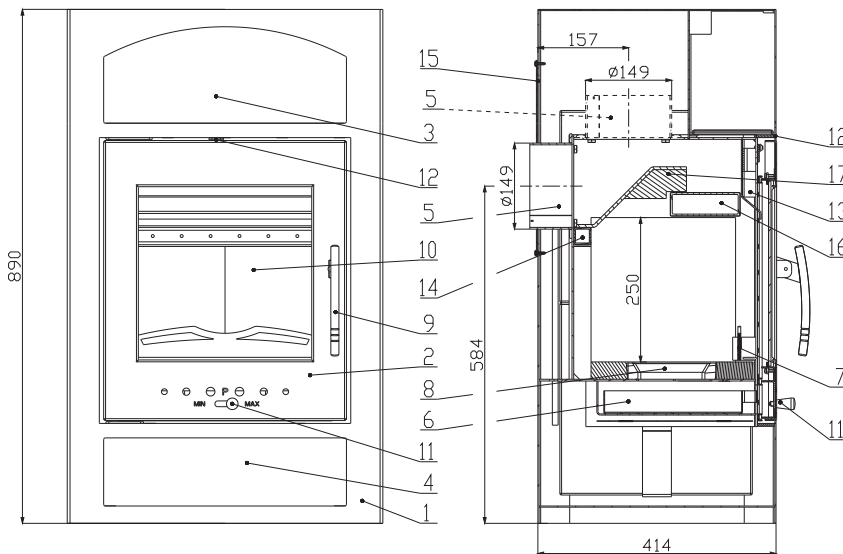
TECHNICAL DOCUMENTATION

Adria mini II

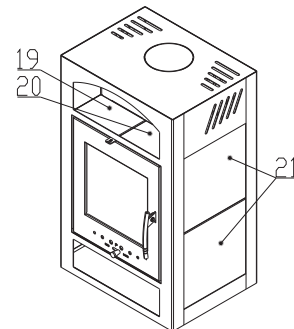
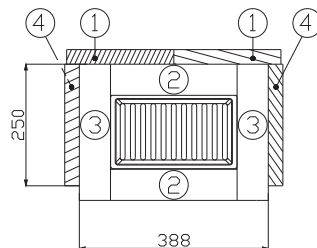




TECHNICAL SHEET of the fireplace stove **Adria mini II**



Fire-clay lining



Suitable fuel:

As concerns suitable fuel to be employed, see the chapter **2.2 Fuel** in the General Manual of Operation.

Proper operation:

As concerns the proper and safe operation of the fireplace stove, see the chapters **2. Description of the combustion process** and **5. Operating instructions** in the General Manual of Operation.

Fire-clay No.	Dimension	Goods No.
1	30x220x230	0331415005501
2	30x61x260	0331415005502
3	30x62,5x276	0430815005501
4	30x250x275	0331415005504

TECHNICAL DESCRIPTION :

Position	Name	Goods No.	Position	Name	Goods No.
1	Stove body	-	15	Rear cover/anthracite colour	0431715006122
2	Fire-box door/black	0331415035300	16	Lip - fixed	-
2	Fire-box door/anthracite colour	0331415016300	17	Lip - loose/black	0331415005700
3	Oven	-	17	Lip - loose/anthracite colour	0331415006700
4	Fuel bunker	-	18	Flue gas duct blind flange/black	0470315007002
5	Smoke flue neck/black	0470315007007	18	Flue gas duct blind flange/anthracite colour	0470315008002
5	Smoke flue neck/anthracite colour	0470315008007	19	Oven panelling - left/beige	0431715406101
6	Ash pan/black	0431715005600	19	Oven panelling - left/grey	0431715016101
6	Ash pan/anthracite colour	0431715006600	20	Oven panelling - right/beige	0431715406102
7	Protection/black	0431715005008	20	Oven panelling - right/grey	0431715016102
7	Protection/anthracite colour	0431715006008	21	Panelling/beige	0061001000605
8	Cast-iron grate/black	0020100130005	21	Panelling/grey	0061002000205
8	Cast-iron grate/anthracite colour	0020100130006	22	Knockout blind flange	-
9	Lever lock of the fire-box door/golden	0081010080005	23	Cover blind flange/black	0431715005144
9	Lever lock of the fire-box door/ chromium-plated	0081020120005	23	Cover blind flange/anthracite colour	0431715006144
10	Refractory glass	0331415005304	a	Self-drilling screw M4,2x16 (2 pcs)	0030150420161
11	Controllor of primary air/golden	0082010030005	b	Self-drilling screw M4,2x16 (8 pcs)	0030150420161
11	Controllor of primary air/chromium- plated	0082020040005	c	Nut M8 (4 pcs)	0032040800005
12	Controllor of secondary air/black	0331415005009		Body packing cord 10 mm (1930 mm)	0040710100005
12	Controllor of secondary air/anthracite colour	0331415006009		Sealing cord of the glass 10 mm (1300 mm)	0040710100005
13	Intake of secondary air	-		Flue gas duct packing cord 10x4 mm (600 mm)	0040210040005
14	Intake of tertiary air	-		Glass holder sealing rope 8x2 mm (580 mm)	0040208020005
15	Rear cover/black	0431715005122			



TECHNICAL INFORMATION

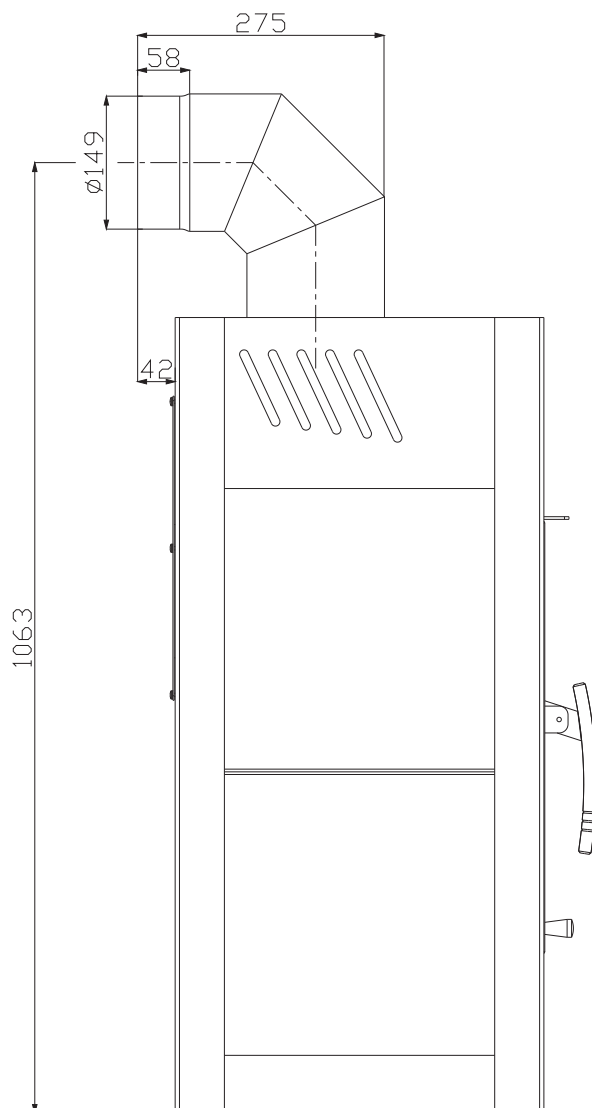
INSTRUCTIONS FOR THE CONTROL OF COMBUSTION PROCESS:

Fuel	Output of the heating device							
	100%	33%	100%	33%	100%	33%	100%	33%
	Amount of fuel		Primary air		Secondary air		Tertiary air	
Blockwood	2,4 kg/h	0,8 kg/h	closed	closed	open 75%	open 30%	non-controllable	

TECHNICAL DATA:	Blockwood				
Achieved heat output (100%)	8,2 kW			Height	890 mm
Nominal heat output	8 kW			Width	546 mm
Reduced heat output (33%)	2,7 kW			Depth	414 mm
Maximum stoking amount of the fuel	2,4 kg/h			Diameter of the smoke flue	150 mm
Average temperature of combustion products behind the smoke flue neck	408,5 °C			Weight	95 kg
Maximum mass flow of dry combustion products	7,3 g/s			Min. chimney stack draught in the smoke flue neck	12 Pa
Energy efficiency	78,1 %			Heating capacity (middle heat losses) at 8,2 kW	cca. 148 m ³
Average concentration of CO ₂	9,7 %			Range of outputs	2,5 – 8,2 kW
Concentration of CO in combustion products at 13 % O ₂	0,07 %				

Tested in compliance with ČSN EN 13 240:2002

DIMENSIONED DIAGRAM OF THE FIREPLACE STOVE WITH FLUE GAS INSTALLATION ELBOW AND PIPE Ø150/250 (SPECIAL ACCESSORIES)





DRAWING FOR THE CHANGE OF THE FLUE GAS DUCT OUTLET (REAR OUTLET, TOP OUTLET)

