

HAAS
+
SOHN

Eiffel

Equipment sheet
Fireplace stove

GB

0433015501400b

Introduction

We thank you very much for purchasing our product!

The description of the heating device will inform you in detail about the design, technical specification and operation of the heating device. We recommend you to acquaint yourselves closely with these data. In this way, you will avoid possible faults during the proper assembly and operation.

You will find detailed conditions of installation and operation in General Manual of Operation (included in the scope of the delivery).

Notes in the text

GB



Of utmost importance there are the notes entitled **WARNING**. The notes entitled **WARNING** advise you on **serious danger of damage to the heating device or of an injury**.



The note entitled **Notice** advises you on possible damage to your heating device.



The note entitled **Important** calls your attention to the information important for the operation of your heating device.



The note itself calls your attention to the information important for the operation of your heating device in general.

Contents

1. Technical data	1
1.1. Suitable fuel, stoking amount of fuel	1
2. Dimensional drawing	2
3. Overview of spare parts	3
3.1. Whole emplacement.....	3
3.2. Layout A1	5
4. Easy control	7
5. Conversion of the external air input	8

1. Technical data

	Block wood
	Nominal output
Achievable heat output	6,3 kW
Nominal heat output	6 kW
Testing standard	EN 13240
Energy efficiency	81,2 %
Average concentration of CO at 13% O ₂	0,1 %
Average concentration of CO at 13% O ₂	1232 mg/Nm ³
Average concentration of dust at 13% O ₂	24 mg/Nm ³
Average concentration of NOx at 13% O ₂	90 mg/Nm ³
Average concentration of OGC at 13% O ₂	56 mg/Nm ³
Average concentration of CO at 0% O ₂	840 mg/MJ
Average concentration of dust at 0% O ₂	17 mg/MJ
Average concentration of NOx at 0% O ₂	61 mg/MJ
Average concentration of OGC at 0% O ₂	38 mg/MJ
Amount of combustion products at nominal output	5,6 g/s
Temperature of combustion products in the smoke flue neck	326 °C
Minimum draft of the chimney at nominal heat output	10 Pa

1.1. Suitable fuel, stoking amount of fuel

Fuel:	Max. stoking amount of fuel
Block wood:	2 logs (max. 1,8 kg)
Length of wood logs:	Max. 33 cm



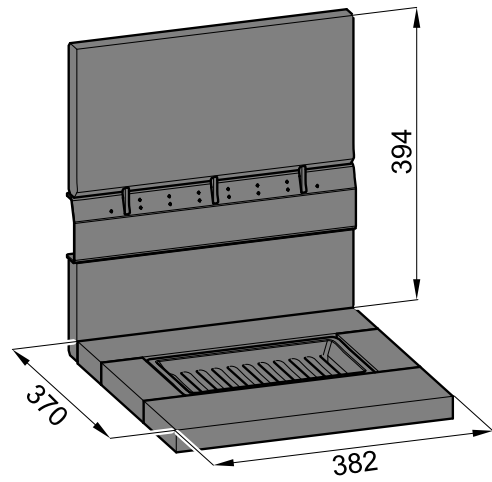
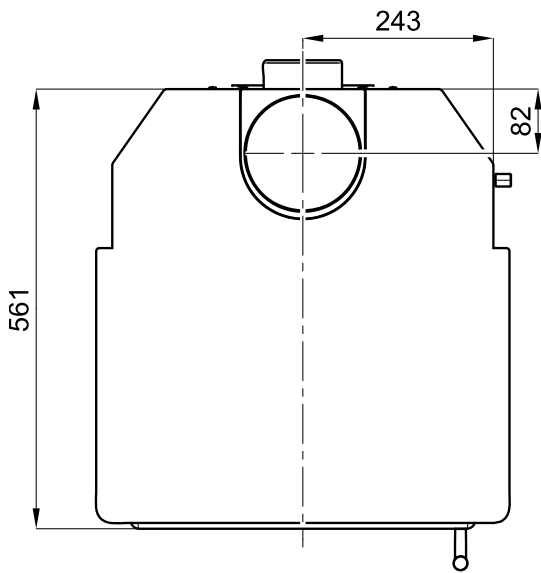
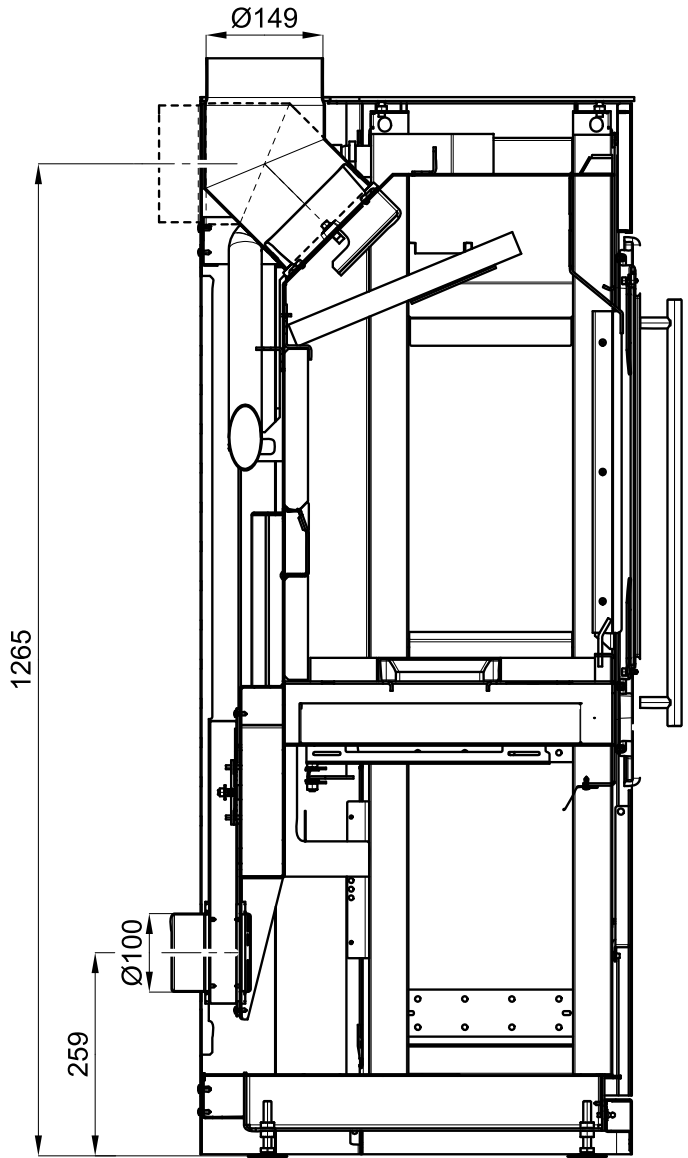
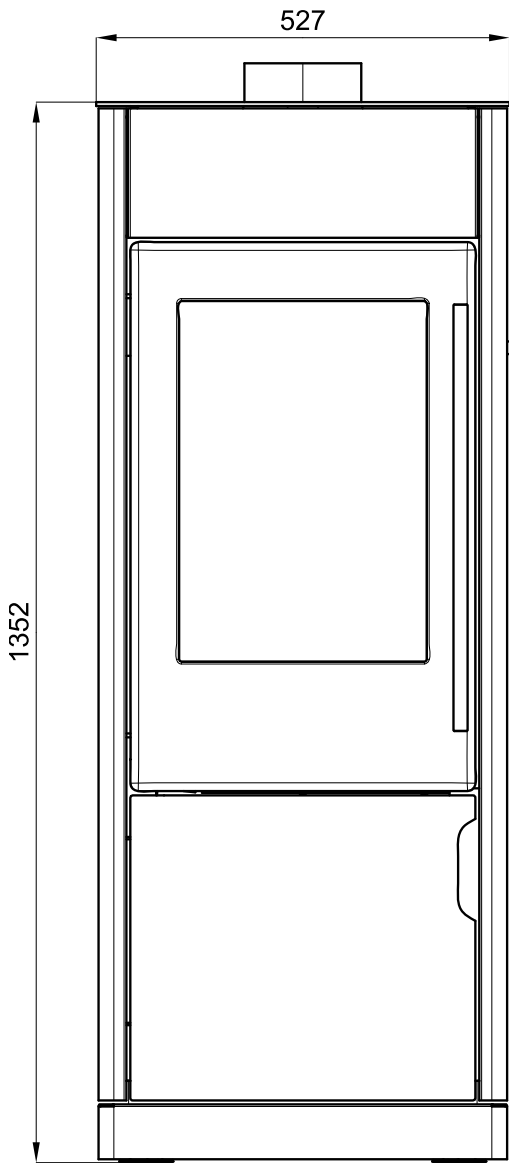
Note

When heating with wood stock, employ solely the types of wood which have been stored for two years and their residual humidity is 17 % at the most.

2. Dimensional drawing

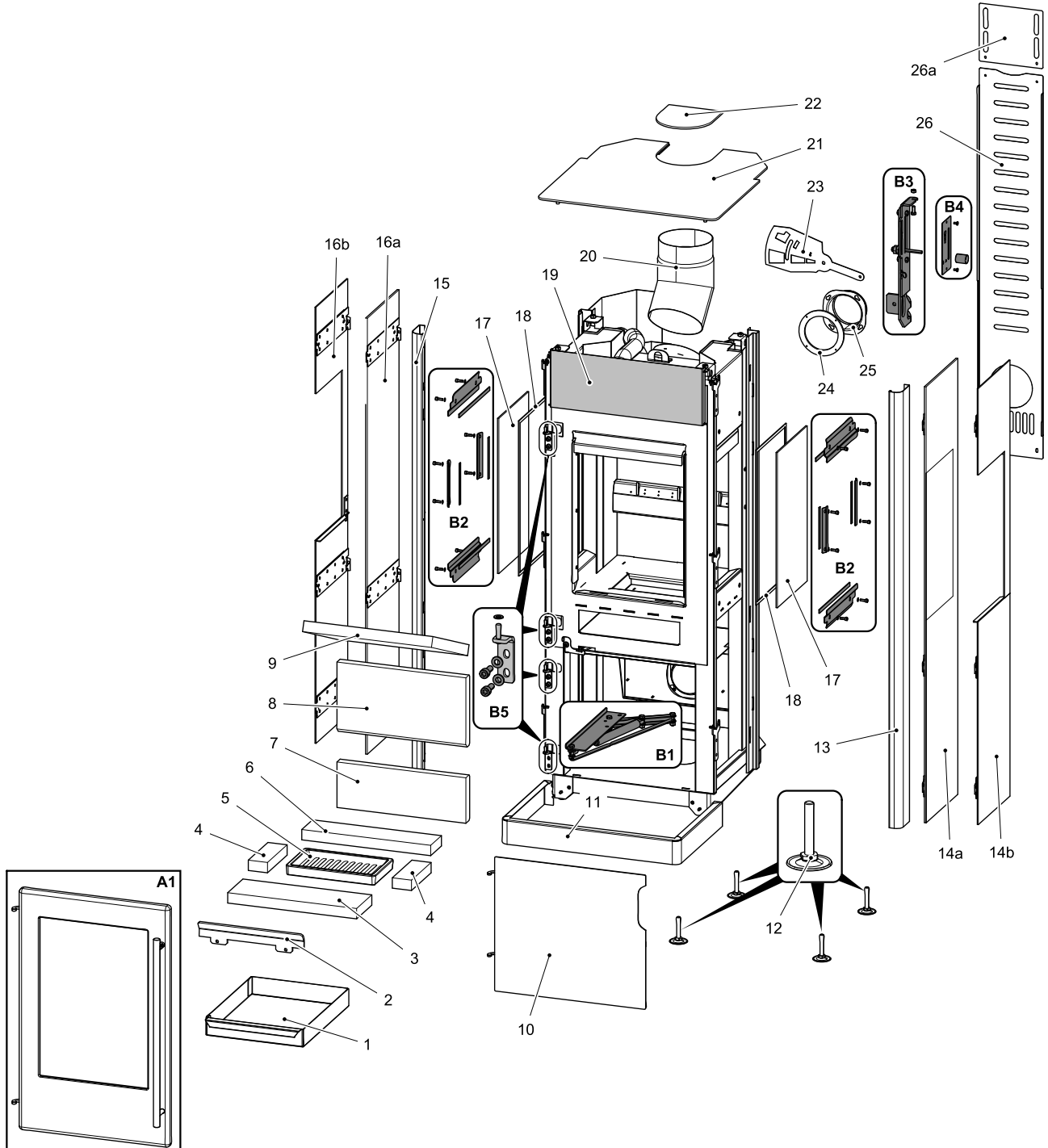
Dimensional drawing

GB



3. Overview of spare parts

3.1. Whole emplacement



Overview of spare parts

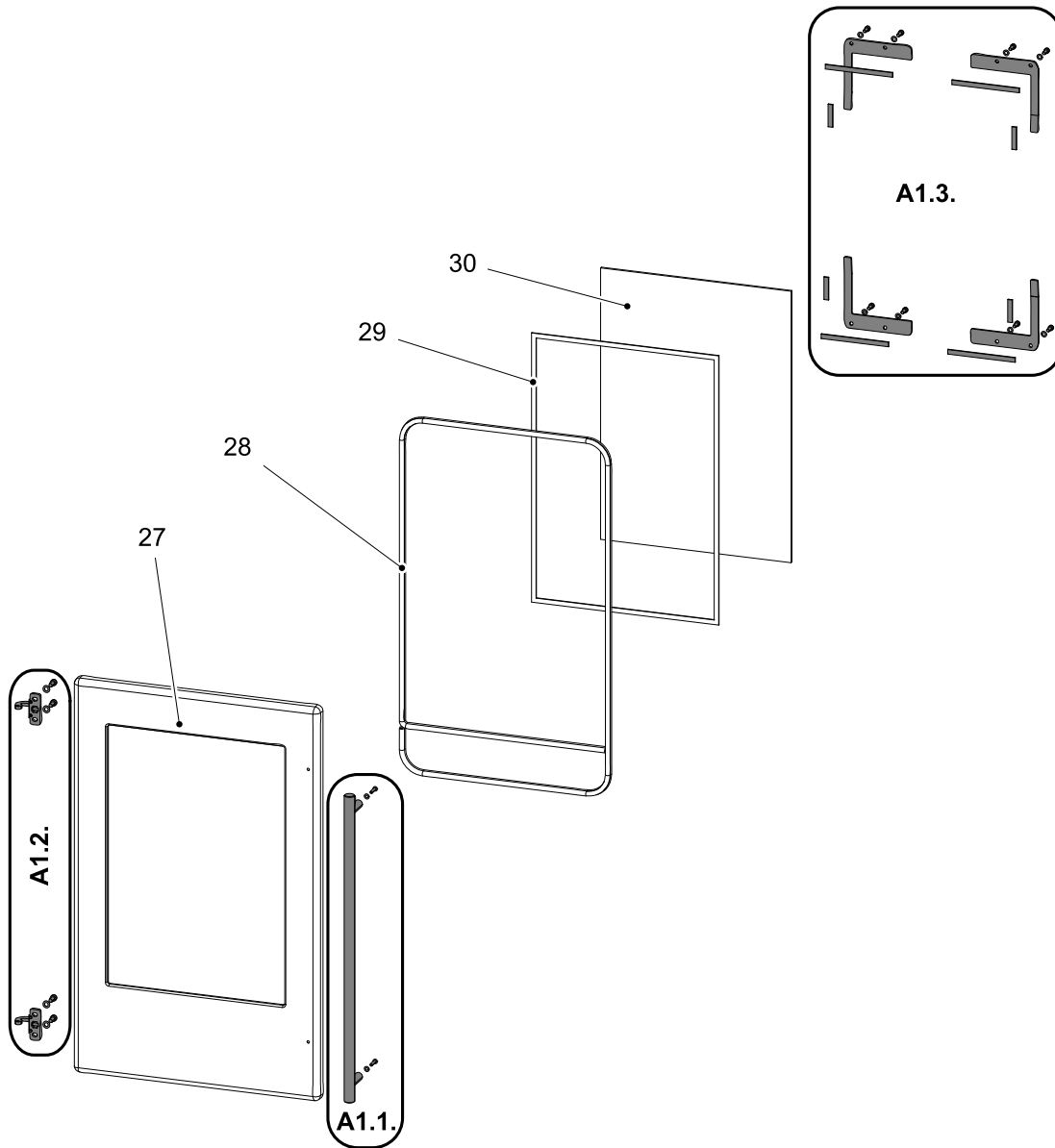
GB

Item	Name	pcs	Spare part number
Whole emplacement			
A1	Fire-box door (complete)/black	1 pcs	0433015105300

A1	Fire-box door (complete)/grey	1 pcs	0433015115300
B1	Hydraulic brake (complete)	1 pcs	0433015005600
B2	Set of glass holders	2 pcs	0433015005001
B3	Controller drawbar (complete)/Easycontrol	1 pcs	0433015005060
B4	Controller (complete)/Easycontrol	1 pcs	0434615005005
B5	Fire-box door suspension (complete)	4 pcs	0433015005410
1	Ashpan	1 pcs	0433015105603
2	Pile grating/black	1 pcs	0433015005027
2	Pile grating/grey	1 pcs	0433015006027
3	Stone 30x120x376	1 pcs	0433015005505
4	Stone 30x56x155	2 pcs	0433015005506
5	Seating of the grate	1 pcs	0020100130005
6	Stone 30x85x376	1 pcs	0433015005504
7	Vermiculit 30x132x376	1 pcs	0430315005501
8	Vermiculit 30x204x376	1 pcs	0430315005502
9	Return draft board 30x309x386	1 pcs	0430315005503
10	Ash door panel/red-brown	1 pcs	0433015005350
10	Ash door panel/grey	1 pcs	0433015015350
10	Ash door panel/black-glossy	1 pcs	0433015025350
11	Base/black-glossy	1 pcs	0433015005455
12	Stand	4 pcs	0619018005060
13	Lateral cover - right/red-brown	1 pcs	0433015005135
13	Lateral cover - right/grey	1 pcs	0433015006135
13	Lateral cover - right/black-glossy	1 pcs	0433015007135
14a	Lateral lining right-glass/black	1 pcs	0433015005905
14b	Lateral lining right/black-glossy	1 pcs	0433015005925
15	Lateral cover - left/red-brown	1 pcs	0433015005131
15	Lateral cover - left/grey	1 pcs	0433015006131
15	Lateral cover - left/black-glossy	1 pcs	0433015007131
16a	Lateral lining left-glass/black	1 pcs	0433015005900
16b	Lateral lining left/black-glossy	1 pcs	0433015005920
17	Refractory glass (4x235x450)	2 pcs	0430315005006
18	Glass sealing cord 8x2 mm (1340 mm)	1 pcs	0040208020006
19	Front panel/red-brown	1 pcs	0433015005115
19	Front panel/grey	1 pcs	0433015006115
19	Front panel/black-glossy	1 pcs	0433015007115
20	Smoke pipe spigot/black	1 pcs	0425515015002

21	Top cover/black	1 pcs	0433015005800
21	Top cover/black-glossy	1 pcs	0433015006800
22	Upper blind flange/black	1 pcs	0433015005802
22	Upper blind flange/black-glossy	1 pcs	0433015006802
23	Sliding valve/black	1 pcs	0433015005061
24	Sealing of the external air input	1 pcs	0530513007349
25	External air input (Ø100)	1 pcs	0088500050008
26	Rear cover	1 pcs	0433015005105
26a	Upper rear cover	1 pcs	0433015005106

3.2. Layout A1



Item	Name	pcs	Spare part number
Layout A1			
A1.1.	Set of door handle	1 pcs	0429112007385
A1.2.	Set of door hinge/black	1 pcs	0433015005310
A1.2.	Set of door hinge/grey	1 pcs	0433015006310
A1.3.	Set of glass holders/black	1 pcs	0433015105301
A1.3.	Set of glass holders/grey	1 pcs	0433015115301
27	Fire-box door/black	1 pcs	0433015005301
27	Fire-box door/grey	1 pcs	0433015006301
28	Seal door 16 mm (2280 mm)	1 pcs	0040300160005
29	Seal glass 8x2 mm (1600 mm)	1 pcs	0040208020006
30	Door glass (4x340x482)	1 pcs	0430315005304

4. Easy control

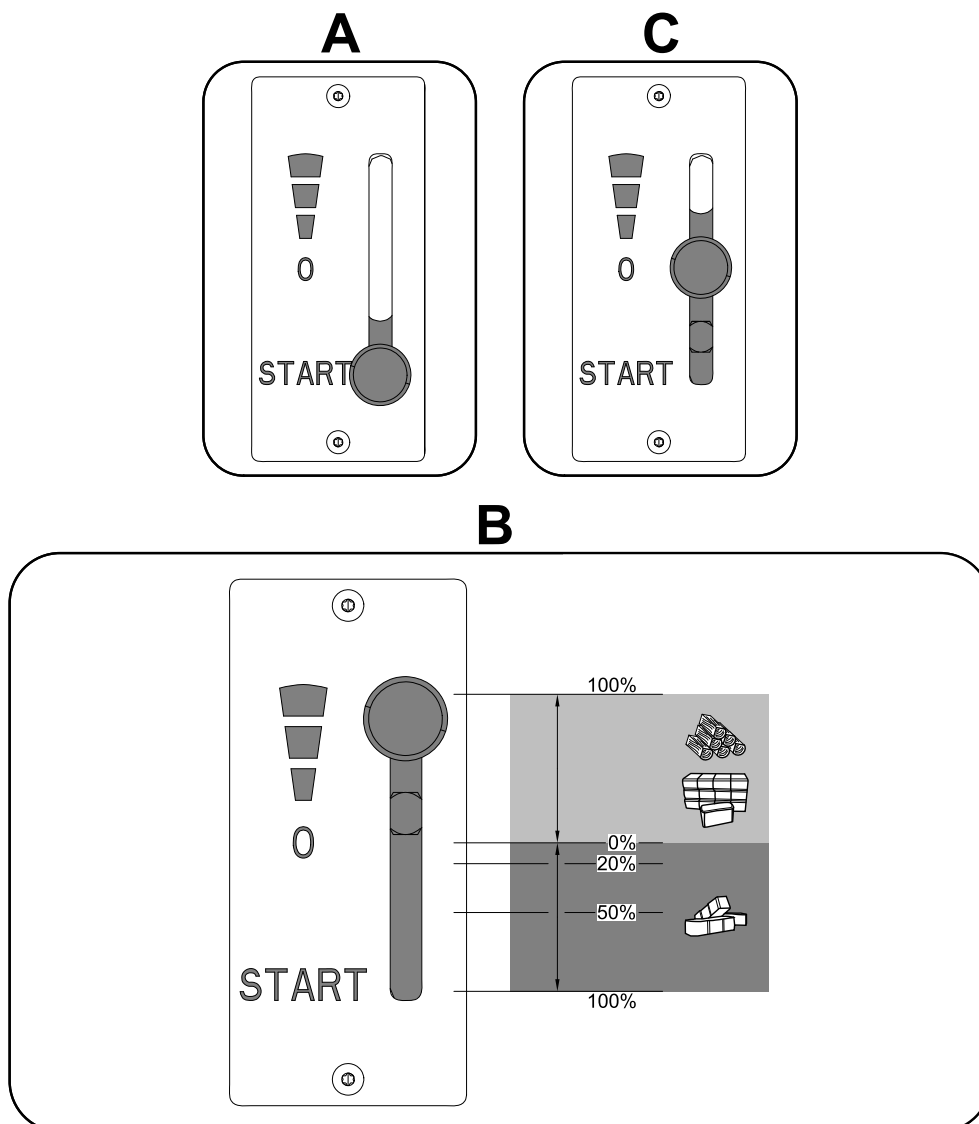
Control of all three air inputs - primary, secondary, tertiary - by means of one sole controller.

1. The controller is in the position intended for ignition (fig. A). All three air inputs are open (primary, secondary, tertiary).
2. The controller is in the position intended for burning of the stove after ignition (fig. B).
3. The controller is in the position designed to close air inputs (Fig. C). No input is open (primary, secondary, tertiary). This position is used only when the stove is out of operation, after finishing the heating process.



WARNING

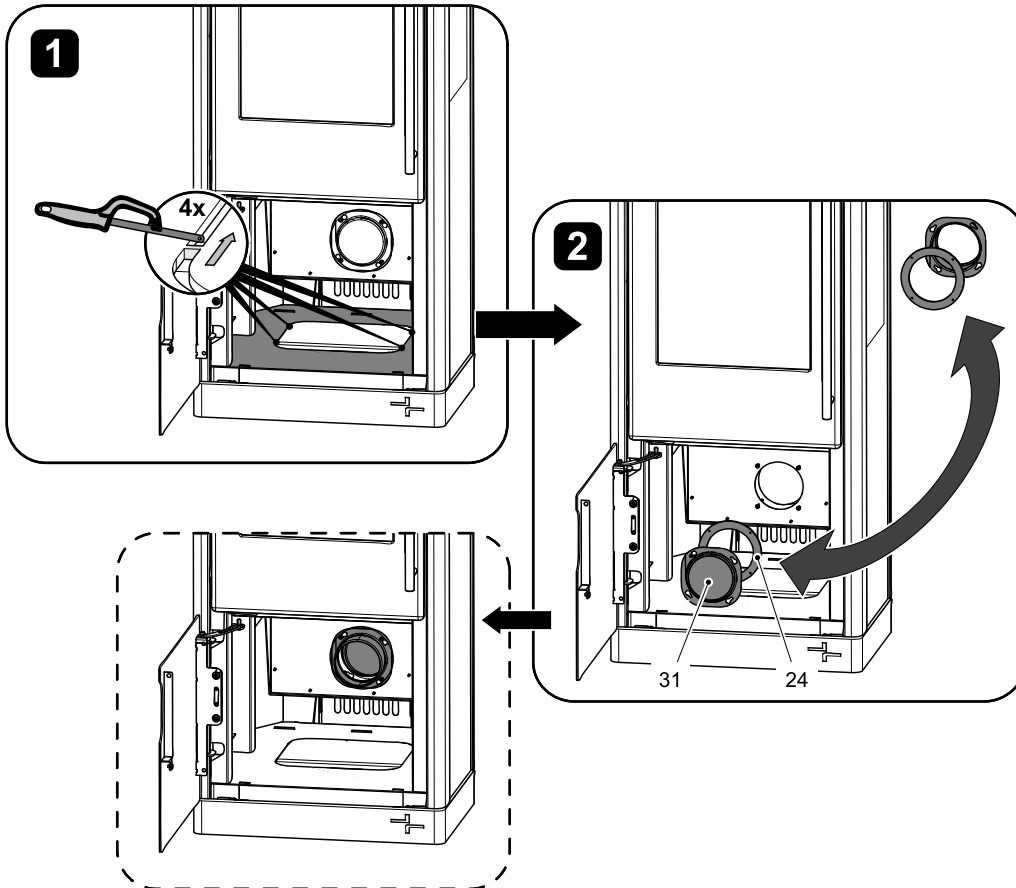
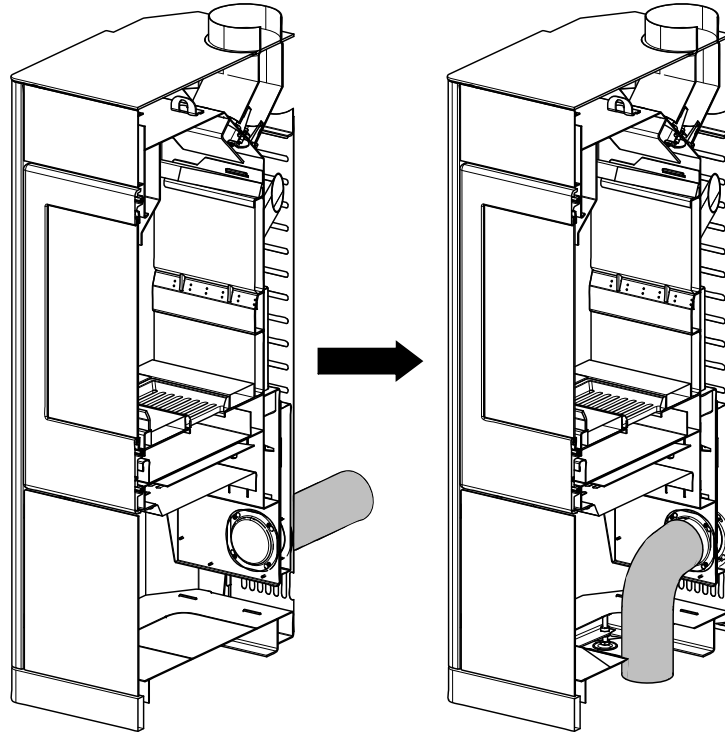
Air inputs may not be closed during the heating operation (Fig. C)! In an extreme case, there can occur an explosion in the stove followed by breaking of glass, blowing up of cinders across the room and breaking out of the fire.



5. Conversion of the external air input

Conversion of the external air input

GB



Item	Name	pcs	Spare part number
24	Sealing of the external air input	1 pcs	0530513007349
31	Blind flange	1 pcs	0088500070005



