

HAAS  
+  
SOHN

## Farum with exchanger

**Equipment sheet**  
Fireplace stove with exchanger

**GB**

# Introduction

**We thank you very much for purchasing our product!**

The description of the heating device will inform you in detail about the design, technical specification and operation of the heating device. We recommend you to acquaint yourselves closely with these data. In this way, you will avoid possible faults during the proper assembly and operation.

**You will find** detailed conditions of installation and operation in General Manual of Operation (included in the scope of the delivery).

## Notes in the text

GB



Of utmost importance there are the notes entitled **WARNING**. The notes entitled **WARNING** advise you on **serious danger of damage to the heating device or of an injury**.



The note entitled **Notice** advises you on possible damage to your heating device.



The note entitled **Important** calls your attention to the information important for the operation of your heating device.



The note itself calls your attention to the information important for the operation of your heating device in general.

# Contents

<b>1. Technical specification</b> .....	1
<b>2. Technical description</b> .....	2
2.1. Dimensioned diagram of the fire-box .....	3
<b>3. Dimensioned diagram</b> .....	4
3.1. Knee-piece of exhaust of combustion products .....	4
3.2. Connection of the exchanger .....	5
<b>4. Mounting of coolant loop</b> .....	6
<b>5. Instructions for cleaning of the exchanger</b> .....	7



# 1. Technical specification

## **Suitable fuel:**

For employing suitable fuel, see the chapter **2.2 Fuel** in the General Manual of Operation.

## **Proper operation:**

For proper and safe handling of the fireplace stove, consult the following chapters: **2. Description of the combustion process** and **5. Operation instructions** in the General Manual of Operation.

## **Instructions for the control of combustion regime**

Fuel	Output of the heating device	Quantity of fuel	Primary air	Secondary air	Tertiary air
<b>Block wood</b>	100%	4,1 kg/hour	open on 10%	open on 90%	not controllable
<b>Block wood</b>	33%	1,4 kg/hour	open on 10%	open on 40%	not controllable
<b>Eco-briquettes</b>	100%	3,7 kg/hour	open on 10%	open on 90%	Not controllable
<b>Eco-briquettes</b>	33%	1,2 kg/hour	open on 10%	open on 40%	Not controllable
<b>Coal briquettes</b>	100%	2,6 kg/hour	open on 100%	open on 100%	Not controllable
<b>Coal briquettes</b>	33%	0,9 kg/hour	open on 50%	open on 40%	Not controllable

## **Technical data**

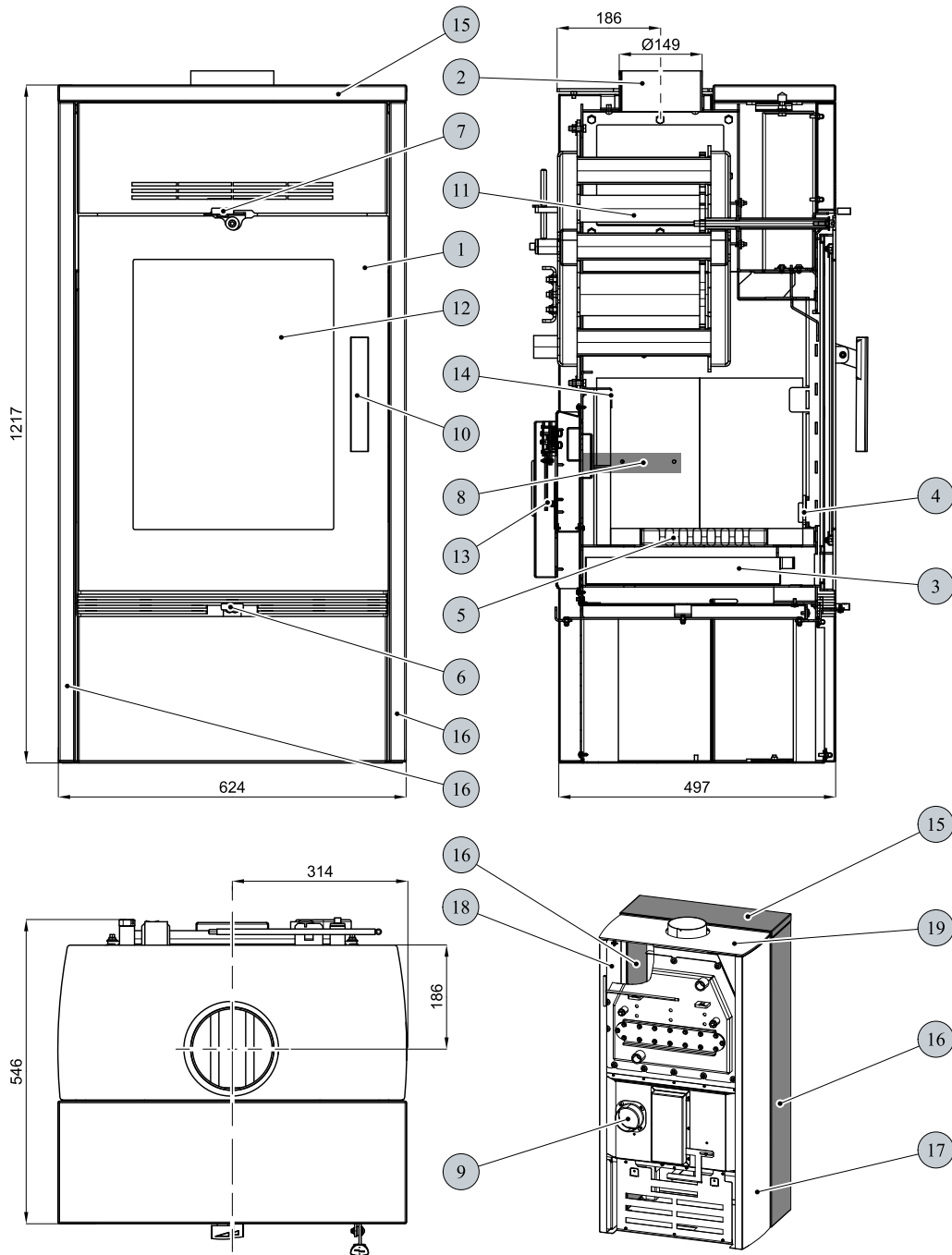
	<b>Block wood</b>	<b>Eco-briquettes</b>	<b>Coal briquettes</b>
Achieved heat output (100%)	14,9 kW	14,8 kW	14,8 kW
Nominal heat output	—	—	—
Reduced heat output (33%)	4,9 kW	4,9 kW	4,9 kW
Output delivered by the stove body only	4,8 kW	3,7 kW	6,1 kW
Output available for heating of water	10,1 kW	11,1 kW	8,7 kW
Maximum stoking amount of the fuel	4,1 kg/hour	3,7 kg/hour	2,6 kg/hour
Average temperature of combustion products behind the smoke flue neck	209 °C	199 °C	197 °C
Maximum mass flow of dry combustion products	13,1 g/s	12,6 g/s	12,2 g/s
Energy efficiency	85,3 %	87,3 %	86,5 %
Average concentration of CO <sub>2</sub>	9,1 %	9,3 %	8,8 %
Concentration of CO in combustion products at 13% O <sub>2</sub>	1006 mg/Nm <sup>3</sup>	936 mg/Nm <sup>3</sup>	585 mg/Nm <sup>3</sup>
Dust at 13% O <sub>2</sub>	28 mg/Nm <sup>3</sup>	35 mg/Nm <sup>3</sup>	37 mg/Nm <sup>3</sup>
Amount of combustion air at nominal output	38 m <sup>3</sup> /h	35 m <sup>3</sup> /h	35 m <sup>3</sup> /h
Tested according to ČSN EN 13 240:2002/A2:2005			

## **Technical information**

Height	1217 mm
Width	624 mm
Depth	546 mm
Weight	221 kg
Diameter of the smoke flue	150 mm
Maximum operating over-pressure of the exchanger	0.2 MPa
Water contents of the exchanger	16 l
Recommended heat gradient (t <sub>output</sub> – t <sub>input</sub> )	75 – 60 °C
Minimum draft in the smoke flue neck	12 Pa
Heating capacity (middle heat losses) at 14.9 kW	about 268 m <sup>3</sup>
Controllable output	4.9 – 14.9 kW

# 2. Technical description

Technical description

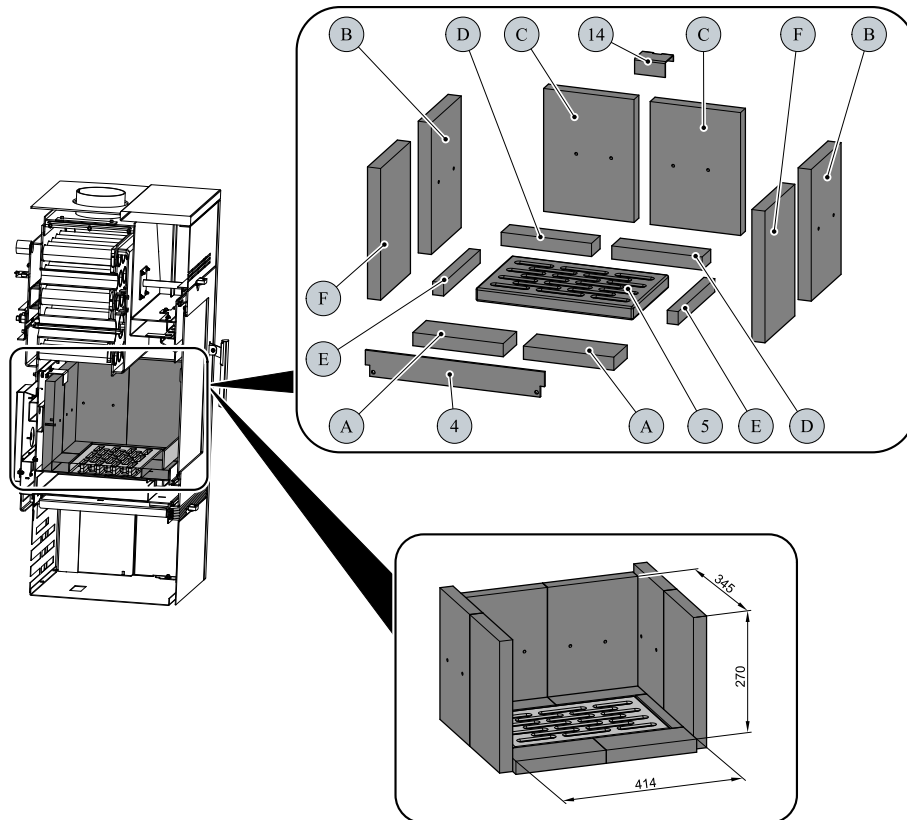


GB

Item	Name	Number of goods
1	Fire-box door/black	0433437005300
2	Smoke flue neck/black	—
3	Ash pan/black	0433317005030
4	Protection/black	0432317005008
5	Fire grate made of heat resistance concrete	0432317005010
5	Cast iron grate	0020100100006
6	Controller of primary air/Al	0446819005060
7	Controller of secondary air/Al	0446819005060
8	Output of tertiary air	—

9	External air input (Ø100)	0088500050007
10	Lever lock of fire-box door	0429415005318
11	Exchanger/black	0433437015011
12	Refractory glass (380x505)	0433317005308
13	Automatic air control (flap)	0431317006601
14	Holder of the fire-clay/black	0432317006013
15	Upper lining/Woodstone Prestige	0433437005101
16	Lateral lining/Woodstone Prestige	0433437006102
17	L.H. lateral lining/black	0433437005035
18	R.H. lateral lining/black	0433437005025
19	Lid/black	0433437005800
—	Sealing cord of the door 14 mm (2500 mm)	0040014140005
—	Sealing cord of the glass and exchanger 10x4 mm (1780/1670 mm)	0040210040005
—	Sealing cord of glass holders 8x2 mm (96 mm)	0040208020006

## 2.1. Dimensioned diagram of the fire-box



Item	Name	Number of goods
4	Protection/black	0432317005008
5	Grate	0432317005010
14	Holder of the fire-clay/black	0432317006013
A	Brick 30x83x207	0432317015501
B	Brick 30x185x300/1	0432317015502
C	Brick 30x207x280	0432317015503
D	Brick 30x53x207	0432317015504
E	Brick 30x25x227	0432317015505
F	Brick 30x185x300/2	0432317015506

# 3. Dimensioned diagram

## 3.1. Knee-piece of exhaust of combustion products

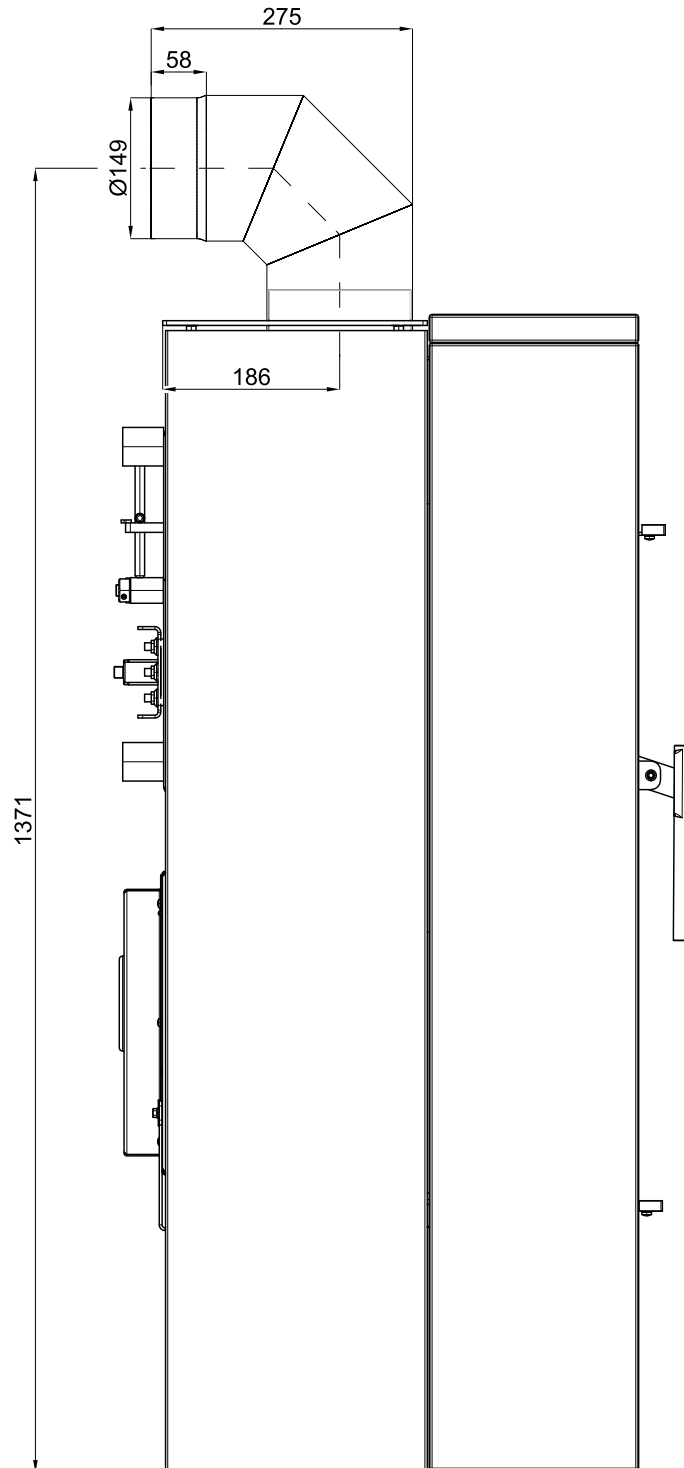


Note

The knee-piece of exhaust of combustion products is delivered as optional accessory.

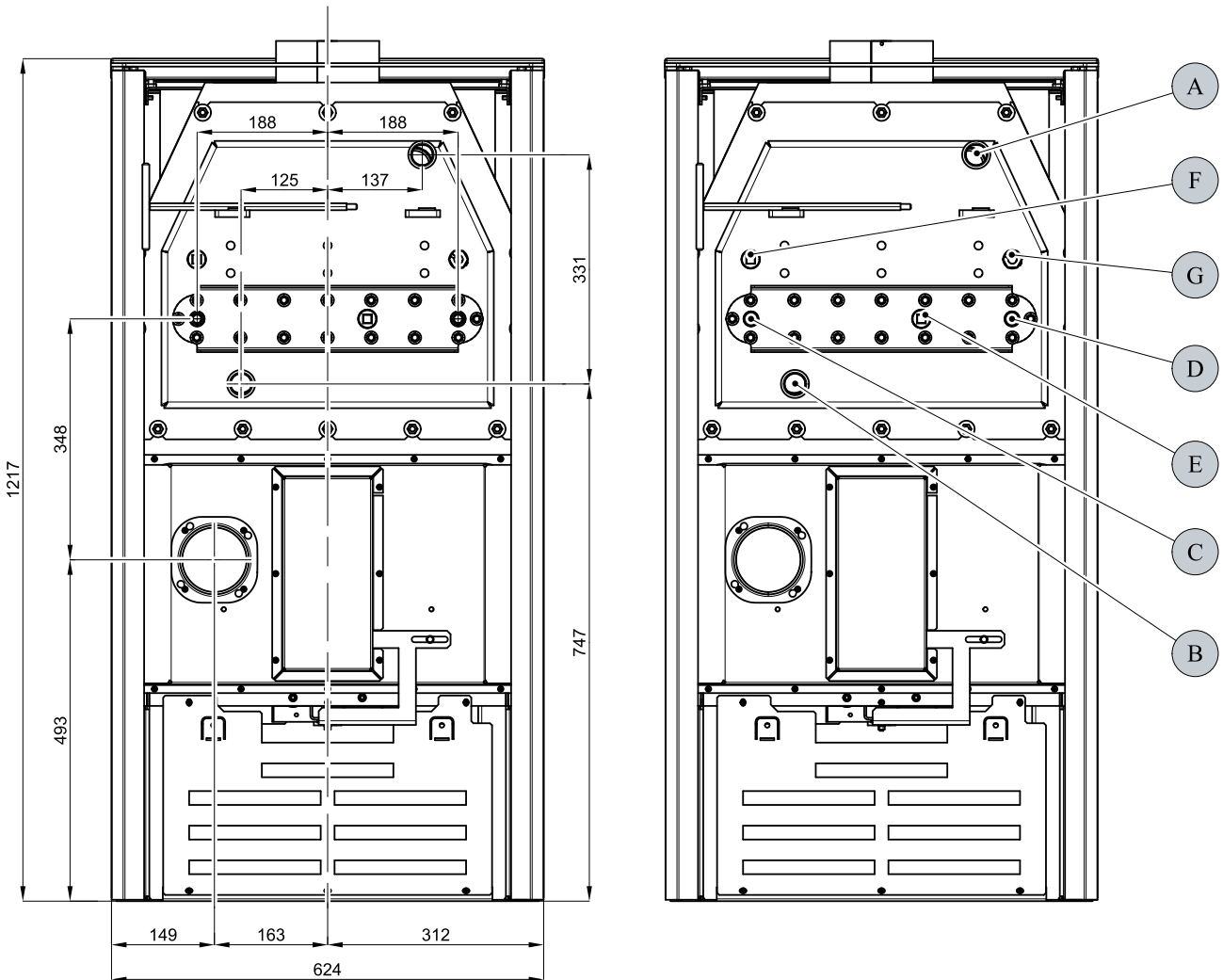
Dimensioned diagram

GB





### 3.2. Connection of the exchanger



Dimensioned diagram

Item	Name
<b>A</b>	Outlet of heating water (inside thread G1")
<b>B</b>	Intake of return water (inside thread G1")
<b>C</b>	Inlet of cooling liquid (external thread G1/2")
<b>D</b>	Outlet of cooling water (external thread G1/2")
<b>E</b>	Orifice for the well of thermo-static sensor (inside thread G1/2")/coolant loop
<b>F</b>	Orifice for the well of thermo-static sensor (inside thread G1/ G1/2")/circulation pump
<b>G</b>	Well for thermo-static sensor (flap of automatic air control)

**GB**

# 4. Mounting of coolant loop

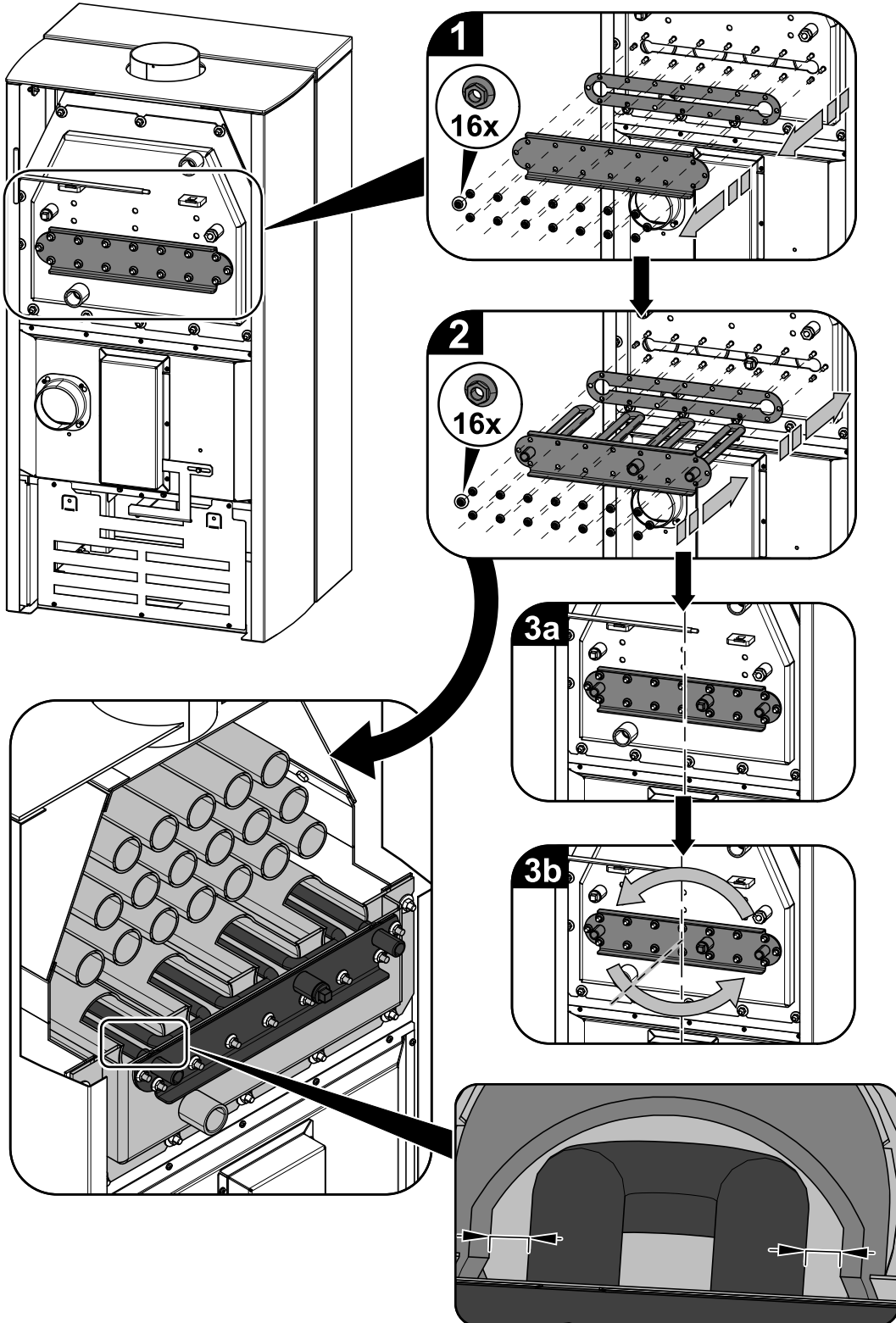


**IMPORTANT**

Coolant loop is not included in the scope of the delivery (part number 0432317006108).

Mounting of coolant loop

GB



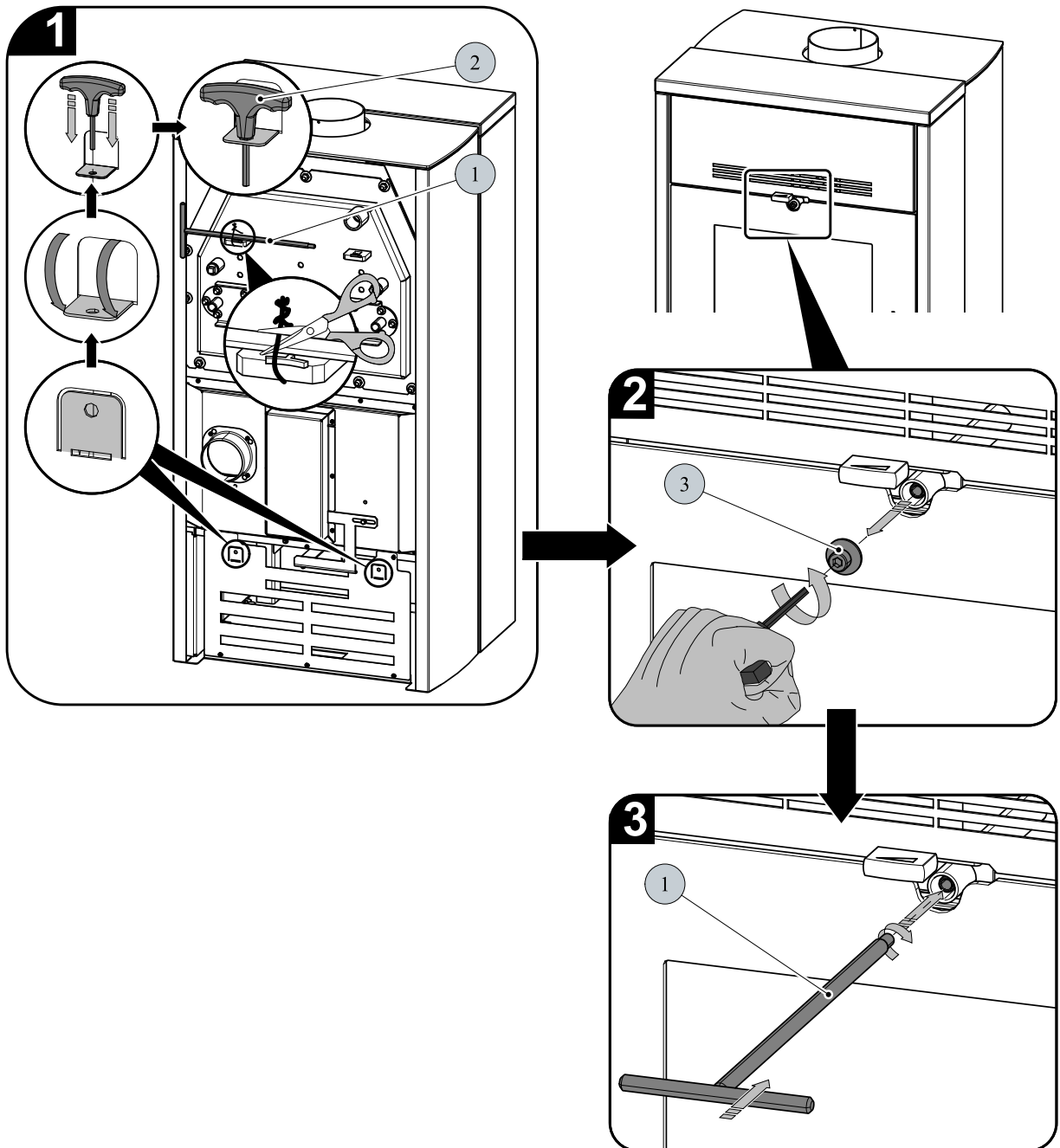
# 5. Instructions for cleaning of the exchanger



## IMPORTANT

It is recommended to perform the cleaning by wiping blade (item 4, fig. 4) 1x in a week at least, or more often, depending on the manner of operation

### 1. Preparation and mounting of the cleaning drawbar

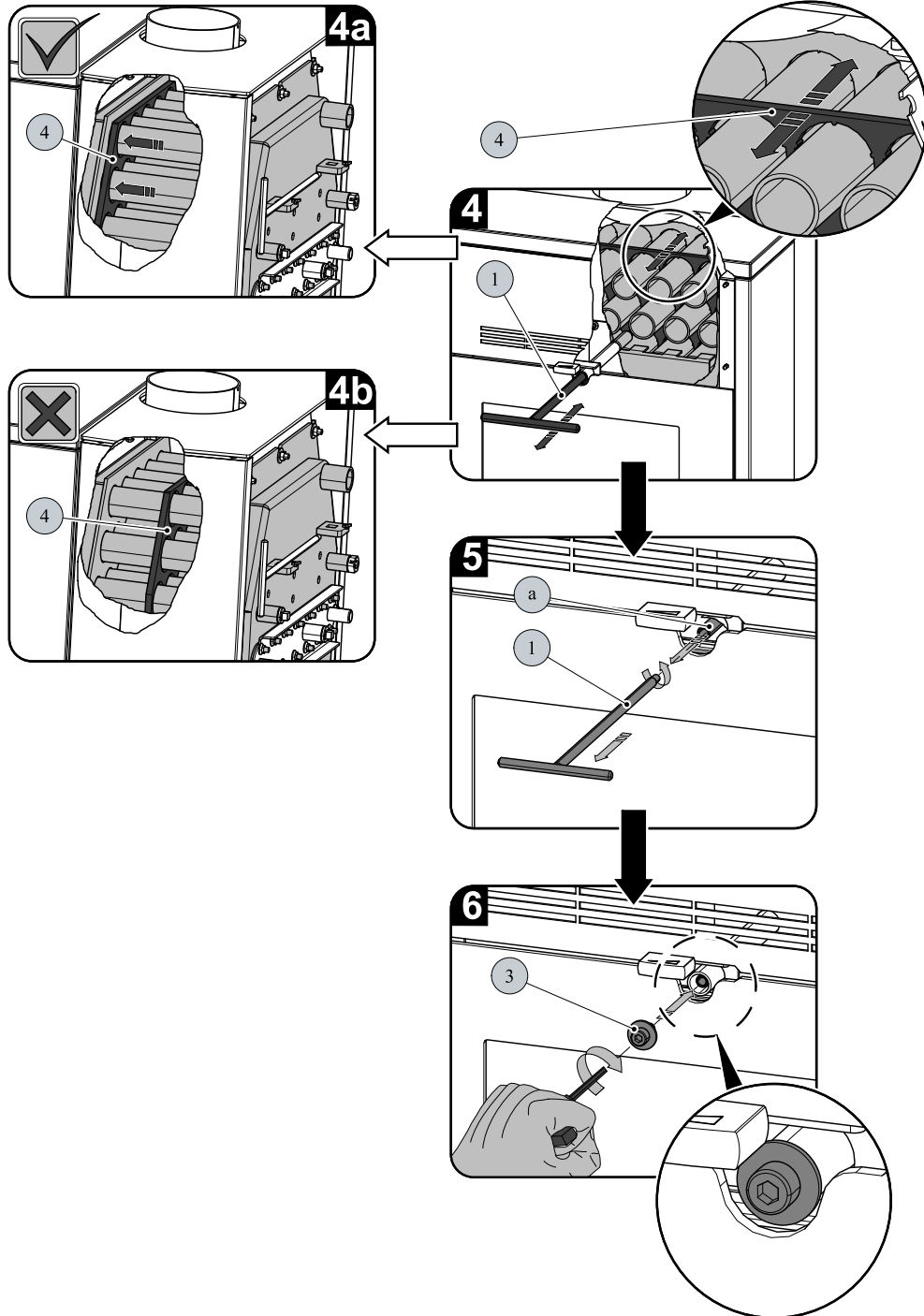


2. Proper cleaning, and arrestment of the cleaning board



**IMPORTANT**

Once the clearing is terminated, arrest the wiping blade always (fig. 4a). Do not leave the wiping blade above a flame (fig. 4b) and the orifice (a, fig. 5) passable freely.



Item	Name	Number of goods
1	Drawbar of cleaning/black	0433437005090
2	Allen wrench 6 mm (forms part of the delivery)	9001700060005
3	Screw — set	0433437005010
4	Wiping blade	—