

HAAS  
+  
SOHN

**Sara**

---

**Equipment sheet**  
Fireplace stove

---

**GB**

**0434315001400e**

# Introduction

**We thank you very much for purchasing our product!**

The description of the heating device will inform you in detail about the design, technical specification and operation of the heating device. We recommend you to acquaint yourselves closely with these data. In this way, you will avoid possible faults during the proper assembly and operation.

**You will find** detailed conditions of installation and operation in General Manual of Operation (included in the scope of the delivery).

## Notes in the text

GB



Of utmost importance there are the notes entitled **WARNING**. The notes entitled **WARNING** advise you on **serious danger of damage to the heating device or of an injury**.



The note entitled **Notice** advises you on possible damage to your heating device.



The note entitled **Important** calls your attention to the information important for the operation of your heating device.



The note itself calls your attention to the information important for the operation of your heating device in general.

# Contents

<b>1. Technical data</b> .....	1
1.1. Suitable fuel, stoking amount of fuel .....	1
<b>2. Technical description</b> .....	2
2.1. Dimensioned diagram of the fire-box .....	4
<b>3. Knee-piece of exhaust of combustion products</b> .....	5



# 1. Technical data

	<b>Block wood</b>
	<b>Nominal output</b>
Achievable heat output	6,3 kW
Nominal heat output	6 kW
Testing standard	EN 13240
Energy efficiency	80,2 %
Average concentration of CO at 13% O <sub>2</sub>	0,099 %
Average concentration of CO at 13% O <sub>2</sub>	1242 mg/Nm <sup>3</sup>
Average concentration of dust at 13% O <sub>2</sub>	32 mg/Nm <sup>3</sup>
Average concentration of NOx at 13% O <sub>2</sub>	110 mg/Nm <sup>3</sup>
Average concentration of OGC at 13% O <sub>2</sub>	70 mg/Nm <sup>3</sup>
Average concentration of CO at 0% O <sub>2</sub>	860 mg/MJ
Average concentration of dust at 0% O <sub>2</sub>	22 mg/MJ
Average concentration of NOx at 0% O <sub>2</sub>	76 mg/MJ
Average concentration of OGC at 0% O <sub>2</sub>	48 mg/MJ
Amount of combustion products at nominal output	5,9 g/s
Temperature of combustion products in the smoke flue neck	343 °C
Minimum draft of the chimney at nominal heat output	12 Pa

## 1.1. Suitable fuel, stoking amount of fuel

Fuel:	Max. stoking amount of fuel
Block wood:	1 - 2 logs (max. 1,8 kg)
Length of wood logs:	Max. 30 cm
Saw-dust briquettes (DIN51731):	1 - 2 briquettes (max. 1,6 kg)
Lignite briquette:	1 - 2 briquettes (max. 1,2 kg)

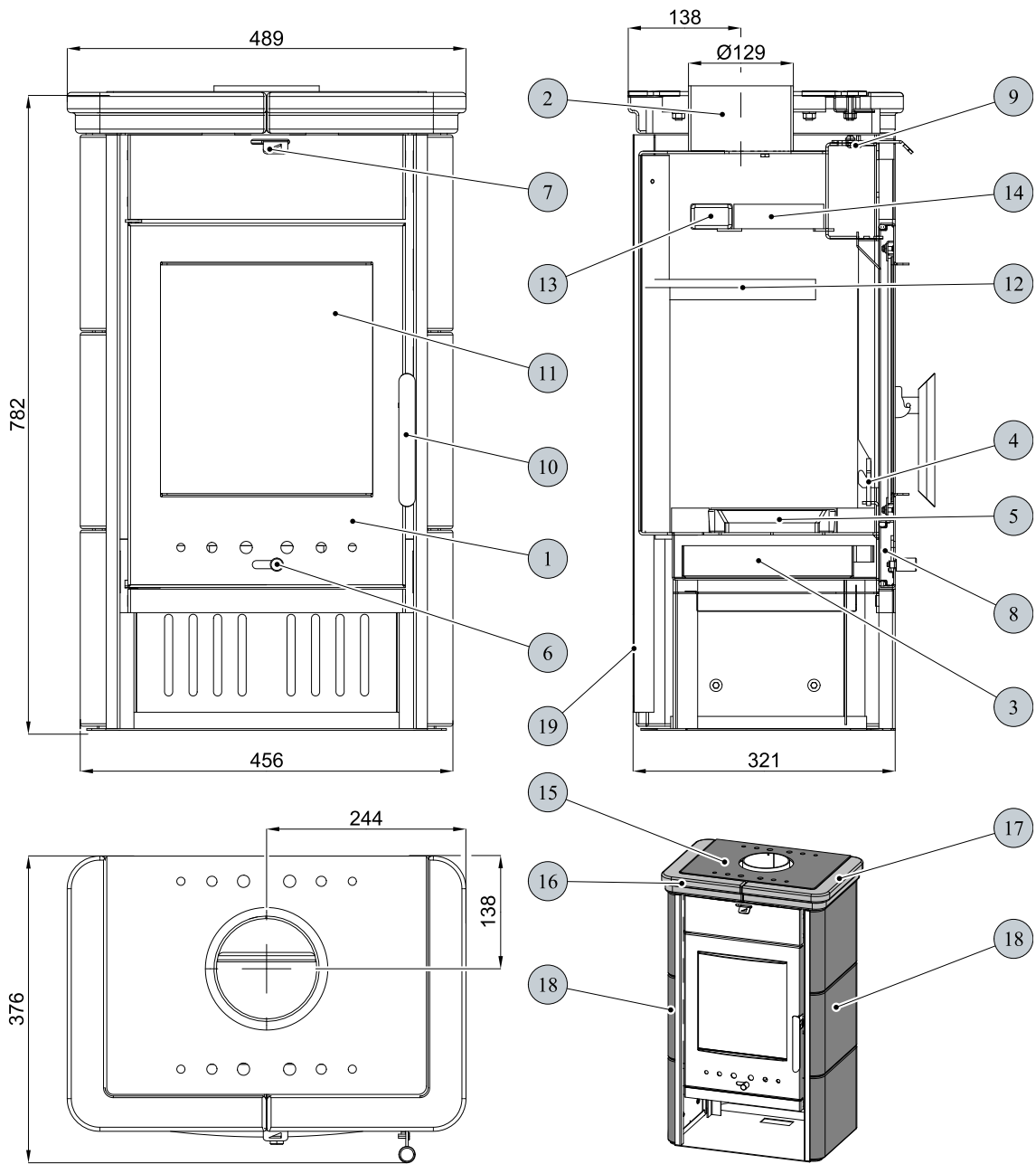


### Note

When heating with wood stock, employ solely the types of wood which have been stored for two years and their residual humidity is at most 17 %.

# 2. Technical description

Technical description

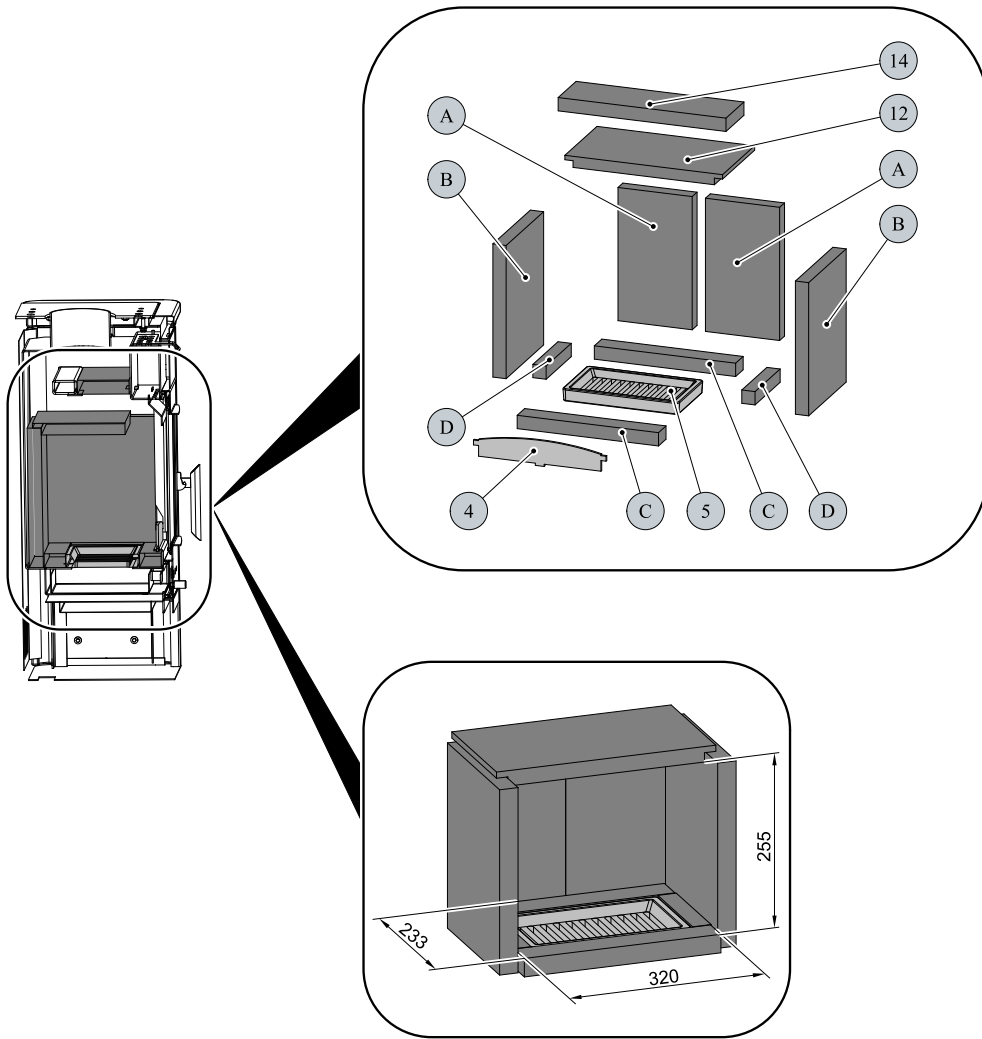


GB

Item	Name	pcs	Number of goods
1	Fire-box door/black	1 piece	0434315005300
2	Smoke flue neck/black	1 piece	—
3	Ash pan	1 piece	0432215005600
4	Protection/black	1 piece	0432215006015
5	Grate/black	1 piece	0020100130005
6	Controller of primary air/chrome-plated	1 piece	0082020010005
7	Controller of secondary air/black	1 piece	0434315005001
8	Input of primary air	1 piece	—
9	Input of secondary air	1 piece	—
10	Lever lock of fire-box door	1 piece	0432215007305

11	Refractory glass (285x300)	1 piece	0432215005301
12	Screen loose - lower (25x197x357)	1 piece	0432215005701
13	Screen fixed - upper	1 piece	—
14	Screen loose - upper (30x110x380)	1 piece	0432215005702
15	Lid/black	1 piece	0434315005111
16	Upper ledge - left/cappuccino	1 piece	0434315026001
16	Upper ledge - left/honey	1 piece	0434315016001
17	Upper ledge - right/cappuccino	1 piece	0434315026002
17	Upper ledge - right/honey	1 piece	0434315016002
18	Lateral lining/cappuccino	2 piece	0434315026100
18	Lateral lining/honey	2 piece	0434315016100
19	Rear cover	1 piece	0434315005010
—	Sealing cord of the door 8 mm	1800 mm	0040300080005
—	Sealing cord of the glass 10x4 mm	1200 mm	0040210040005
—	Sealing cord of glass holders 8x2 mm	160 mm	0040208020006

## 2.1. Dimensioned diagram of the fire-box



GB

Item	Name	pcs	Number of goods
4	Protection/black	1 piece	0432215006015
5	Grate/black	1 piece	0020100130005
12	Screen loose — lower (25x197x357)	1 piece	0432215005701
14	Screen loose — upper (30x110x380)	1 piece	0432215005702
A	Brick 30x168x300	2 piece	0434315005501
B	Brick 30x227x300	2 piece	0432215005502
C	Brick 30x46x320	2 piece	0432215005503
D	Brick 30x30x154	2 piece	0432215005505



# 3. Knee-piece of exhaust of combustion products



Note

The knee-piece of exhaust of combustion products is delivered as optional accessory

