

HAAS
+
SOHN

Čičmany

Equipment sheet
Fireplace stove

GB

0434325001400f

Introduction

We thank you very much for purchasing our product!

The description of the heating device will inform you in detail about the design, technical specification and operation of the heating device. We recommend you to acquaint yourselves closely with these data. In this way, you will avoid possible faults during the proper assembly and operation.

You will find detailed conditions of installation and operation in General Manual of Operation (included in the scope of the delivery).

Notes in the text

GB



Of utmost importance there are the notes entitled **WARNING**. The notes entitled **WARNING** advise you on **serious danger of damage to the heating device or of an injury**.



The note entitled **Notice** advises you on possible damage to your heating device.



The note entitled **Important** calls your attention to the information important for the operation of your heating device.



The note itself calls your attention to the information important for the operation of your heating device in general.

Contents

1. Technical data	1
1.1. Suitable fuel, stoking amount of fuel	1
2. Technical description	2
3. Overview of spare parts	3
3.1. Whole emplacement	3
3.2. Detail A1	5

1. Technical data

	Block wood
	Nominal output
Achievable heat output	6,31 kW
Nominal heat output	6 kW
Testing standard	EN 13240
Energy efficiency	80,2 %
Average concentration of CO at 13% O ₂	0,099 %
Average concentration of CO at 13% O ₂	1242 mg/Nm ³
Average concentration of dust at 13% O ₂	32 mg/Nm ³
Average concentration of NOx at 13% O ₂	110 mg/Nm ³
Average concentration of OGC at 13% O ₂	70 mg/Nm ³
Average concentration of CO at 0% O ₂	860 mg/MJ
Average concentration of dust at 0% O ₂	22 mg/MJ
Average concentration of NOx at 0% O ₂	76 mg/MJ
Average concentration of OGC at 0% O ₂	48 mg/MJ
Amount of combustion products at nominal output	5,9 g/s
Temperature of combustion products in the smoke flue neck	343 °C
Minimum draft of the chimney at nominal heat output	12 Pa

1.1. Suitable fuel, stoking amount of fuel

Fuel:	Max. stoking amount of fuel
Block wood:	1–2 logs (max. 1,83 kg)
Length of wood logs:	Max. 33 cm
Saw-dust briquettes (DIN51731):	1–2 briquettes (max. 1,64 kg)
Lignite briquette:	1–2 briquettes (max. 1,21 kg)



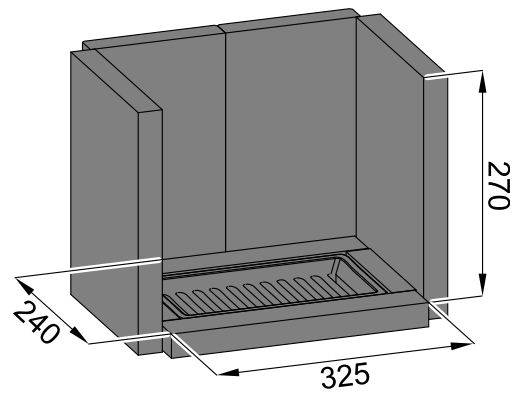
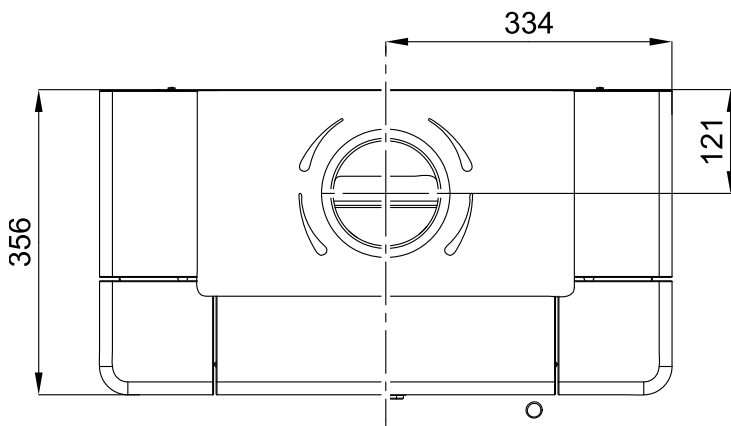
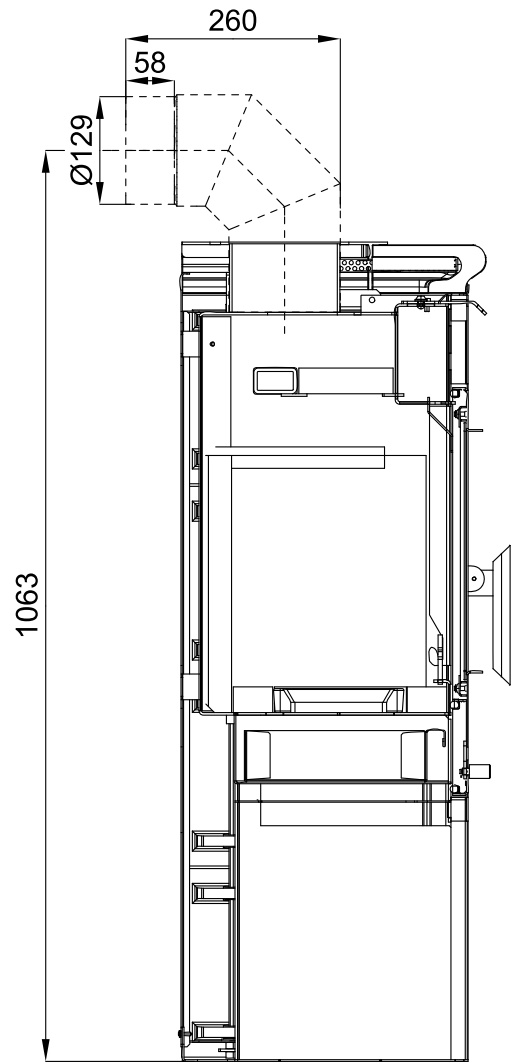
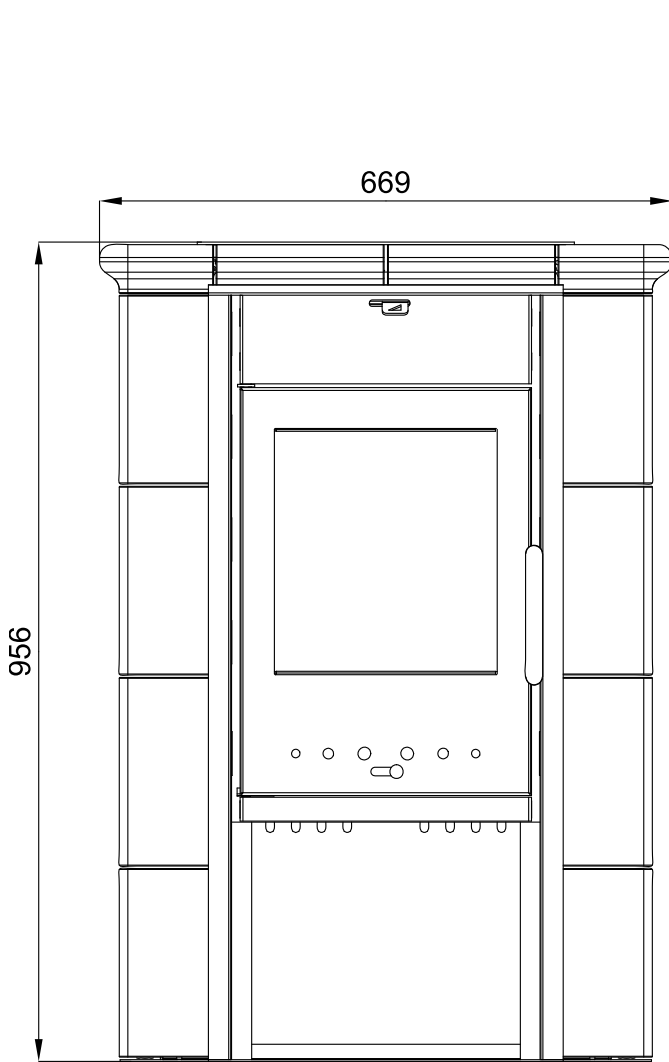
Note

When heating with wood stock, employ solely the types of wood which have been stored for two years and their residual humidity is at most 17 %.

2. Technical description

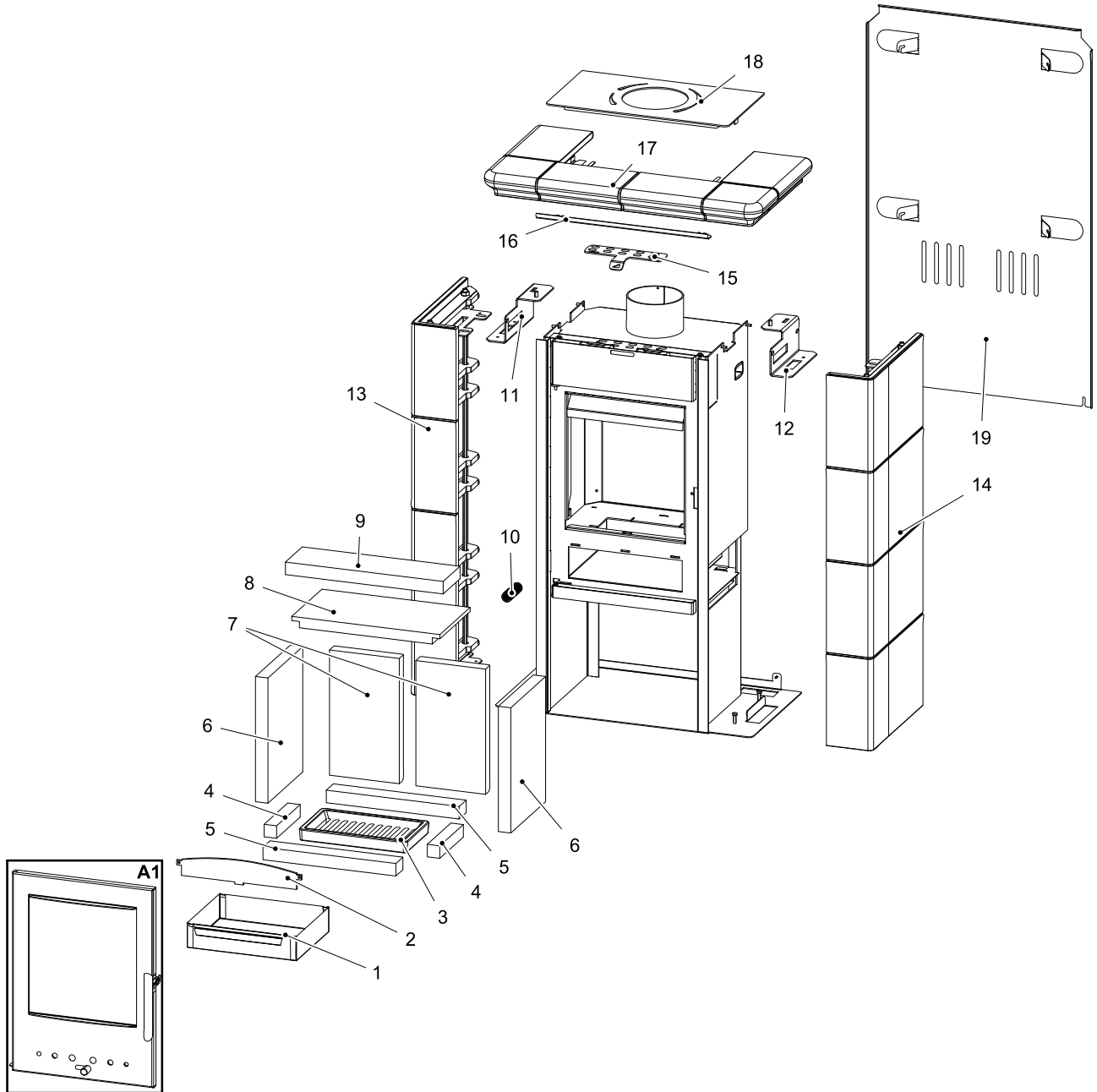
Technical description

GB



3. Overview of spare parts

3.1. Whole emplacement



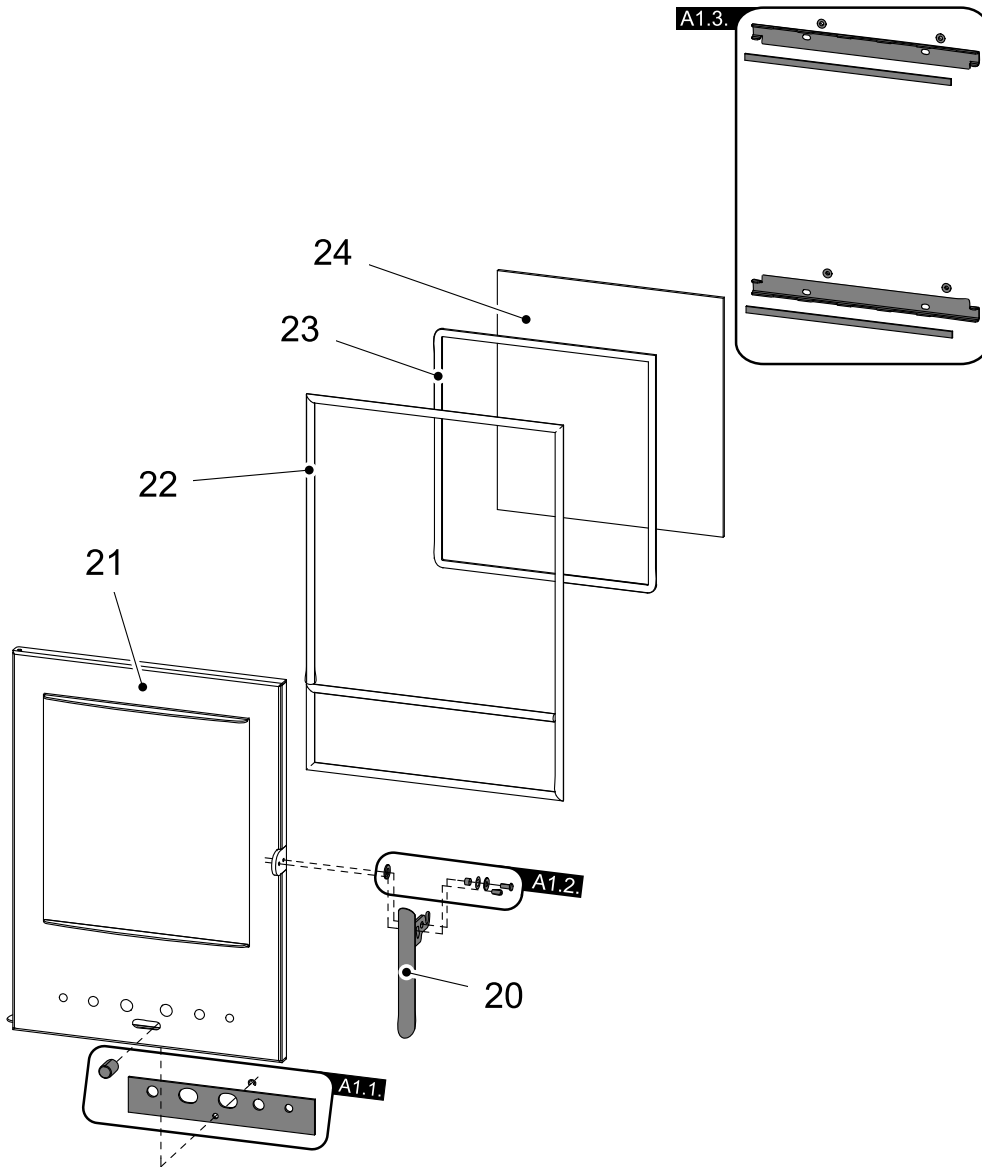
Overview of spare parts

GB

Item	Name	pcs	Spare part number
Whole emplacement			
A1	Fire-box door (complete)/black	1 piece	0434325005300
1	Ashpan	1 piece	0434325015603
2	Protection/black	1 piece	0432215006015
3	Grate/black	1 piece	0429415005005

4	Fire clay 30x30x154	2 piece	0432215005505
5	Fire clay 30x46x320	2 piece	0432215005503
6	Fire clay 30x227x300	2 piece	0432215005502
7	Fire clay 30x168x300	2 piece	0434315005501
8	Lower lip (25x197x357)	1 piece	0432215005701
9	Upper lip (30x110x380)	1 piece	0432215005702
10	Spring	1 piece	0088400020005
11	Holder for side tiles left/black	1 piece	0434325005030
12	Holder for side tiles right/black	1 piece	0434325005035
13	Ceramic lateral lining left/ivory-olive	1 piece	0434325005101
13	Ceramic lateral lining left/ivory-brown	1 piece	0434325015101
14	Ceramic lateral lining right/ivory-olive	1 piece	0434325005100
14	Ceramic lateral lining right/ivory-brown	1 piece	0434325015100
15	Controller of secondary air/black	1 piece	0434315005001
16	Covering panel/black	1 piece	0434320005001
17	Upper mantelpiece/transparent	1 piece	0434325005102
18	Top cover/black	1 piece	0434325005040
19	Rear cover	1 piece	0434325005050

3.2. Detail A1



Item	Name	pcs	Spare part number
Detail A1			
A1.1.	Controller of primary air — set/black	1 piece	0430815010306
A1.2.	Set of door screw coupling	1 piece	0434325006305
A1.3.	Set of glass holders/black	1 piece	0434325005307
20	Hand pull with hand pull attachment	1 piece	0434325005305
21	Fire-box door/black	1 piece	0434325005200
22	Sealing cord of the door 10 mm	1860 mm	0040300100005
23	Sealing cord of the glass 10x4 mm	1200 mm	0040210040005
24	Refractory glass (4x285x300)	1 piece	0432215005301

