

HAAS
+
SOHN

Almo with heat exchanger

Equipment sheet
Fireplace stove

GB

Introduction

We thank you very much for purchasing our product!

The description of the heating device will inform you in detail about the design, technical specification and operation of the heating device. We recommend you to acquaint yourselves closely with these data. In this way, you will avoid possible faults during the proper assembly and operation.

You will find detailed conditions of installation and operation in General Manual of Operation (included in the scope of the delivery).

Notes in the text

GB



Of utmost importance there are the notes entitled **WARNING**. The notes entitled **WARNING** advise you on **serious danger of damage to the heating device or of an injury**.



The note entitled **Notice** advises you on possible damage to your heating device.



The note entitled **Important** calls your attention to the information important for the operation of your heating device.



The note itself calls your attention to the information important for the operation of your heating device in general.

Contents

1. Technical specification	1
2. Technical description	2
3. Overview of spare parts	3
3.1. Whole emplacement.....	3
3.2. Detail A1	5
3.3. Detail A2, A3, A4, A5.....	7
4. Connection of the exchanger	9
5. Easy control	10
6. Kindling vent	11
7. Installation of the coolant loop	12
8. Instructions for cleaning of the exchanger	13

1. Technical specification


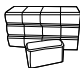

Suitable fuels:

For employing suitable fuel, see the chapter **2.2 Fuel** in the General Manual of Operation.

Proper operation:

For proper and safe handling of the fireplace stove, consult the following chapters: **2. Description of the combustion process** and **5. Operation instructions** in the General Manual of Operation.

Instructions for the control of combustion regime

Fuel		Output of the heating device	Quantity of fuel	Primary air	Secondary air	Tertiary air
Block wood		100%	3 kg/hour	Easy control 100%		
		33%	1 kg/hour	Easy control 50%		
Eco-briquettes		100%	2,8 kg/hour	Easy control 100%		
		33%	0,9 kg/hour	Easy control 50%		
Coal briquettes		100%	2 kg/hour	Easy control 25%		
		33%	0,7 kg/hour	Easy control 10%		

Technical data

	Block wood	Eco-briquettes	Coal briquettes
Achieved heat output (100%)	10,1 kW	10,2 kW	10,1 kW
Nominal heat output	10 kW	10 kW	10 kW
Reduced heat output (33%)	3,3 kW	3,4 kW	3,3 kW
Output delivered by the stove body only	2,8 kW	3,1 kW	5 kW
Output available for heating of water	7,3 kW	7,1 kW	5,1 kW
Maximum stoking amount of the fuel	3 kg/hour	2,8 kg/hour	2 kg/hour
Average temperature of combustion products behind the smoke flue neck	273 °C	272 °C	211 °C
Maximum mass flow of dry combustion products	7,5 g/s	8,1 g/s	11,4 g/s
Energy efficiency	81 %	80,6 %	79,2 %
Average concentration of CO ₂	11 %	10,5 %	6,9 %
Concentration of CO in combustion products at 13% O ₂	1153 mg/Nm ³	1186 mg/Nm ³	2331 mg/Nm ³
Dust at 13% O ₂	19 mg/Nm ³	25,5 mg/Nm ³	45 mg/Nm ³
Amount of combustion air at nominal output	22 m ³ /hour	23 m ³ /hour	30 m ³ /hour
Tested according to ČSN EN 13 240:2002/A2:2005			

Technical information

Height	983 mm
Width	486 mm
Depth	566 mm
Weight	148 kg
Diameter of the smoke flue	150 mm
Maximum operating over-pressure of the exchanger	0,2 MPa
Water contents of the exchanger	14 l
Recommended heat gradient ($t_{\text{output}} - t_{\text{input}}$)	75 – 60 °C
Minimum draft in the smoke flue neck	12 Pa
Heating capacity (middle heat losses) at 10,2 kW	cca 184 m ³
Controllable output	3,3 – 10,2 kW

2. Technical description

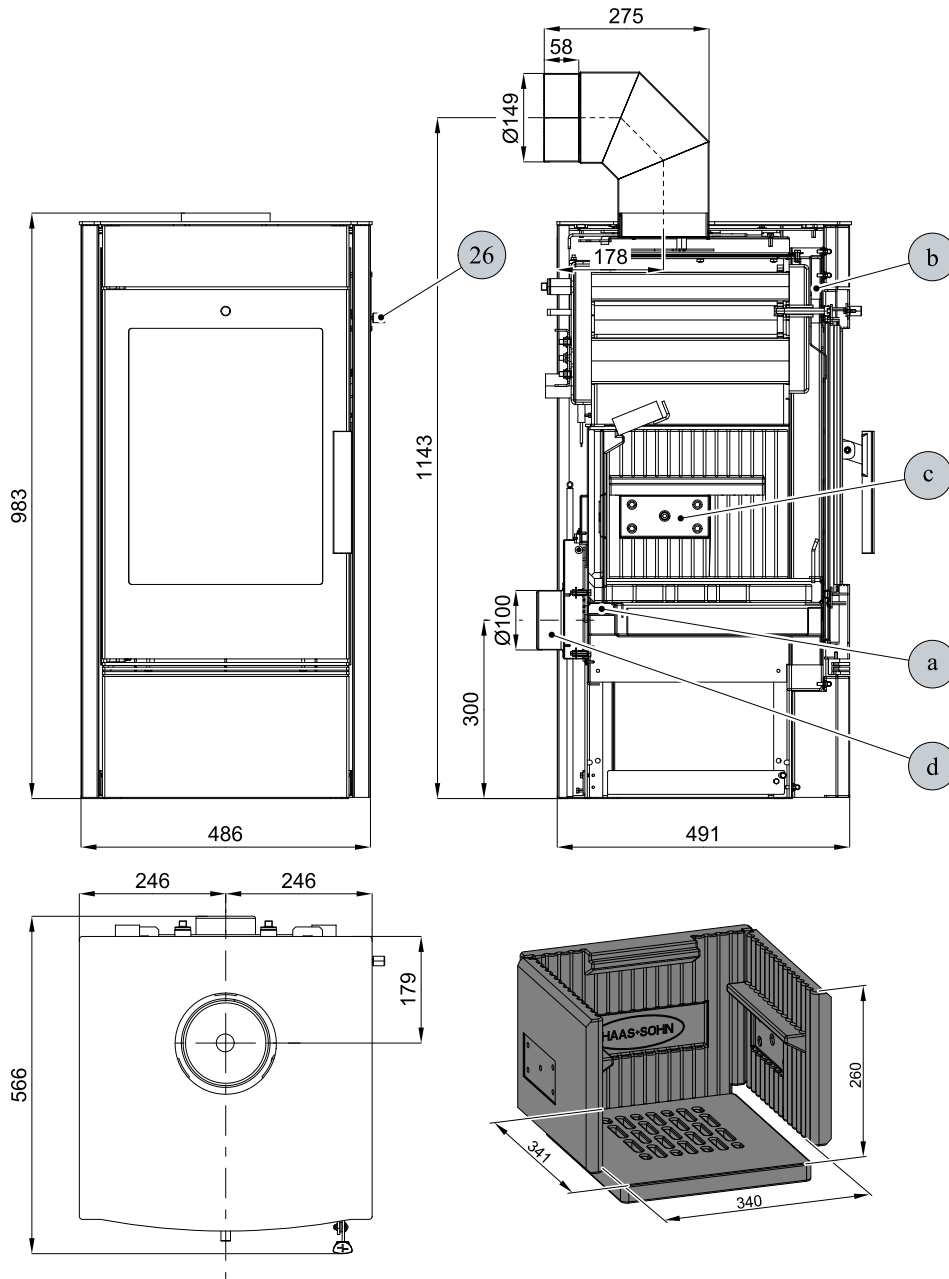


Note

The knee-piece of exhaust of combustion products is delivered as optional accessory.

Technical description

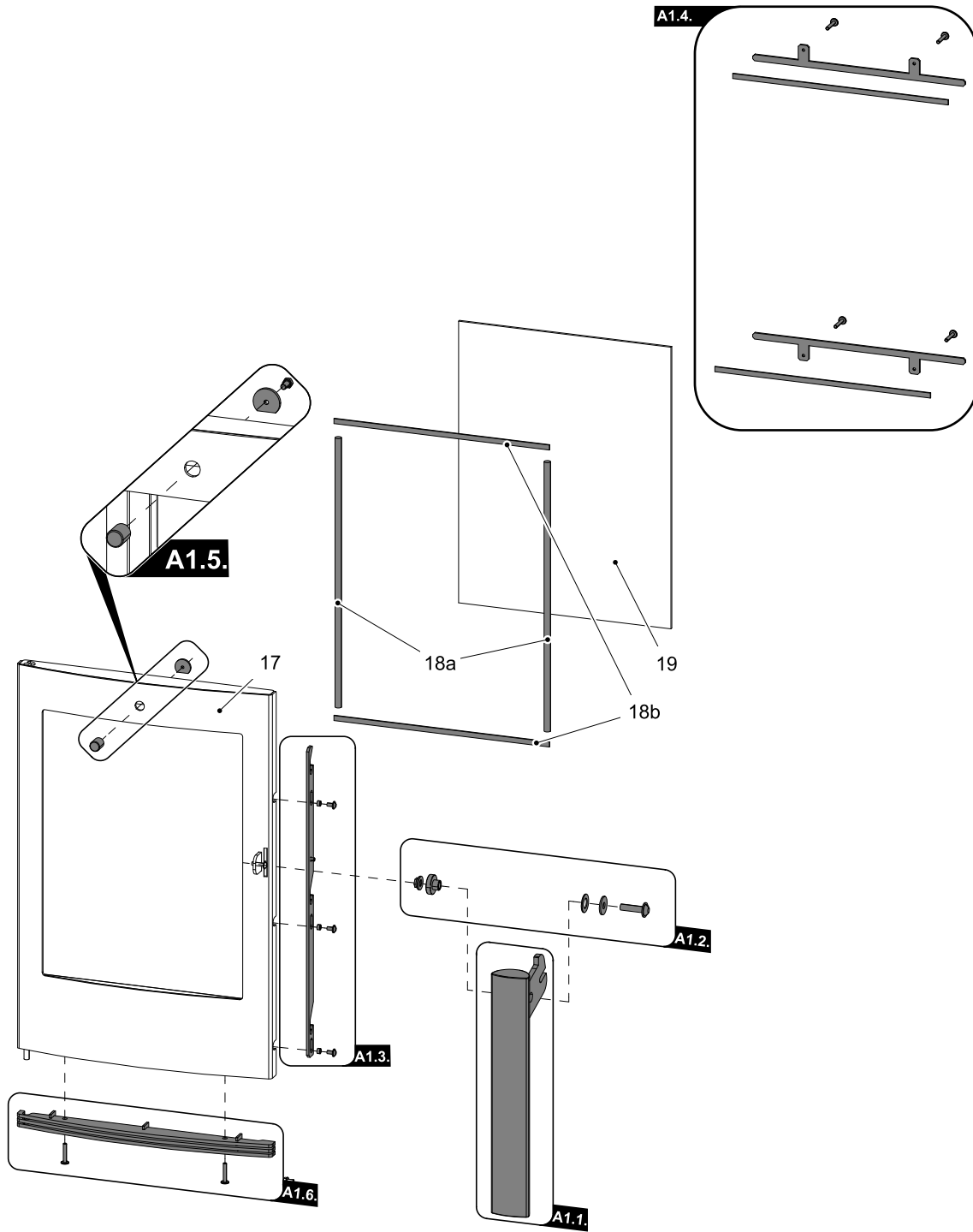
GB



Item	Name
26	Easycontrol — controller
a	Intake of primary air
b	Intake of secondary air
c	Tertiary air output
d	External intake of air (Ø100)

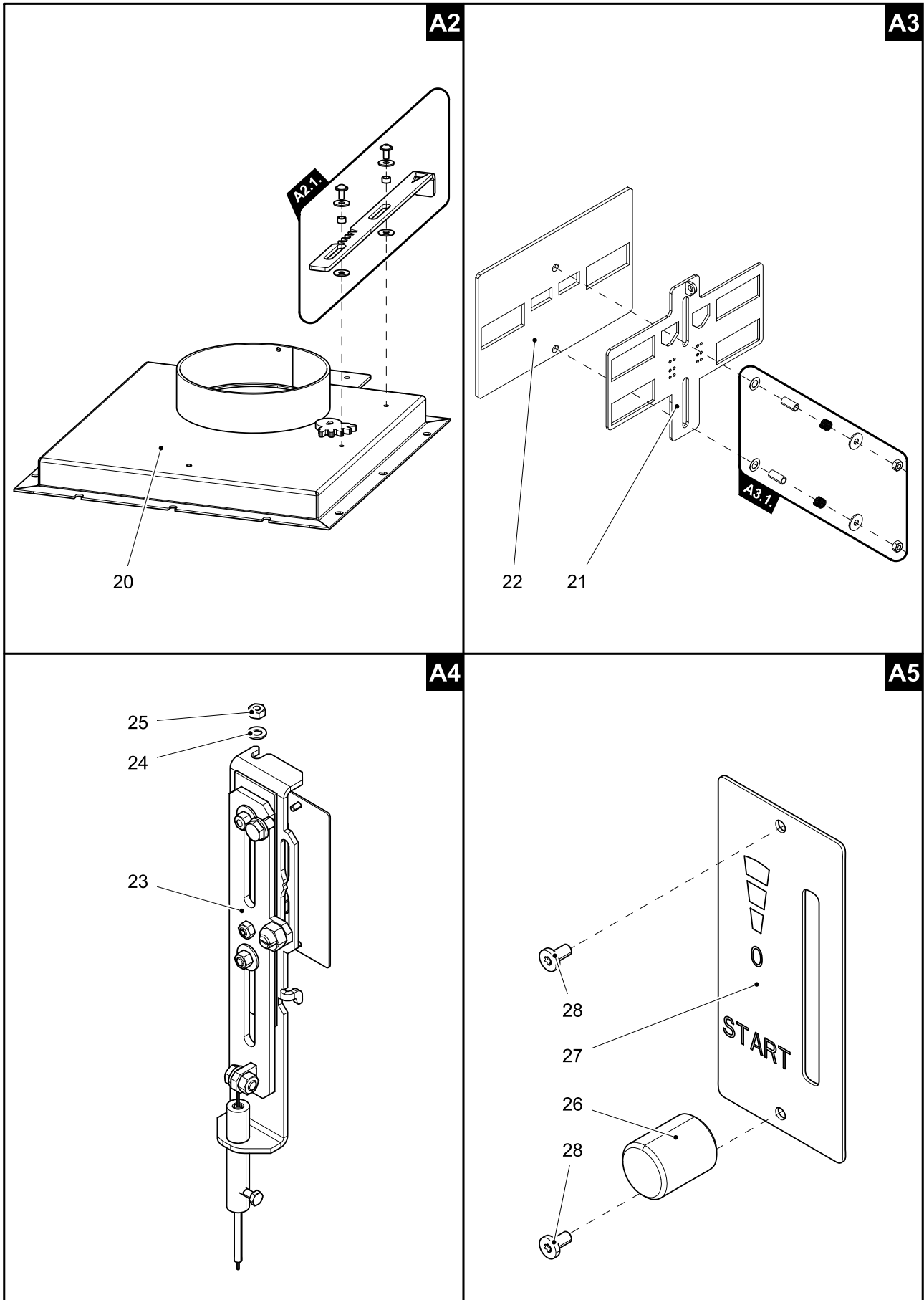
1	Side cover — left/anthracite	1 piece	0434516026110
2	Side cover — right/black	1 piece	0434516025100
2	Side cover — right/anthracite	1 piece	0434516026100
3	Lower cover/black	1 piece	0434515015146
3	Lower cover/anthracite	1 piece	0434515016146
4	Upper cover/black	1 piece	0435015115145
4	Upper cover/anthracite	1 piece	0435015116145
5	Upper lid/black	1 piece	0434516025800
5	Upper lid/anthracite	1 piece	0434516026800
6	Upper holder/black	2 piece	0434516005025
6	Upper holder/anthracite	2 piece	0434516006025
7	Rear cover	1 piece	0434515005000
8	External intake of air (Ø100)	1 piece	0088500050008
9	Grate/lackfire	1 piece	0434515005053
10	Ash pan	1 piece	0434515005030
11	Protection/black	1 piece	0434515005040
11	Protection/anthracite	1 piece	0434515006040
12	Refractory lining — left (60x250x307)	1 piece	0434615005504
13	Refractory lining — right (60x250x307)	1 piece	0434615005503
14	Refractory lining — rear (60x290x375)	1 piece	0434615005501
15	Lip - loose (30x80x330)	1 piece	0434515005555
16	Sealing cord of the door 12 mm	2500 mm	0041012120005

3.2. Detail A1



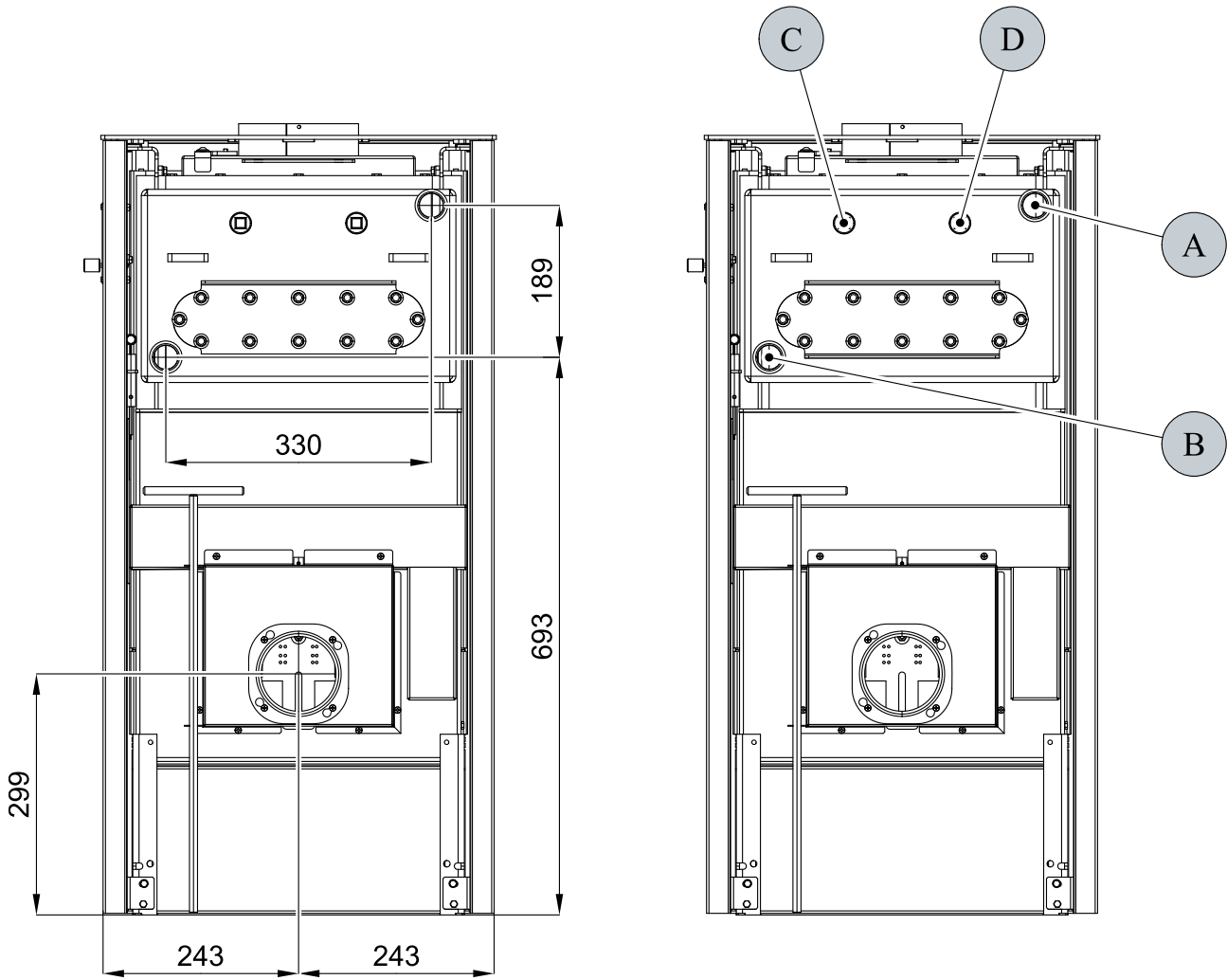
Detail A1			
Item	Name	Piece	Spare part number
A1.1. + A1.2.	Fire-box door hand pull (complete) + Hand pull connecting material — set	1 piece	0429415007318
A1.3.	Door closing blade — set	1 piece	0434615005321
A1.4.	Glass holder — set/black	1 piece	0434615005330
A1.4.	Glass holder — set/antracite	1 piece	0434615006330
A1.5.	Cleaning cover — set/black	1 piece	0434515505005
A1.5.	Cleaning cover — set/antracite	1 piece	0434515405005
A1.6.	Shutter/silver — set	1 piece	0434515005315
17	Fire-box door (welded part)/black	1 piece	0434515005200
17	Fire-box door (welded part)/antracite	1 piece	0434515007200
18a	Sealing cord of the glas 10 mm — right+left	870 mm	0041010100005
18b	Sealing cord of the glas 8x2 mm — upper+lower	700 mm	0040208020005
19	Refractory glass (345x455)	1 piece	0434515005304

3.3. Detail A2, A3, A4, A5



Detail A2			
Item	Name	Piece	Spare part number
A2.1.	Pull-rod (flap)/black — set	1 piece	0434515005088
A2.1.	Pull-rod (flap)/anthracite — set	1 piece	0434515006088
20	Body cover/black	1 piece	0434515015085
20	Body cover/anthracite	1 piece	0434515016085
Detail A3			
Item	Name	Piece	Spare part number
A3.1.	Sliding valve connecting material — set	1 piece	0434615005003
21	Sliding valve/black	1 piece	0434515005027
21	Sliding valve/anthracite	1 piece	0434515006027
22	Sliding valve sealing	1 piece	0434515005052
Detail A4			
Item	Name	Piece	Spare part number
23	Control/Easycontrol	1 piece	0434515005060
24	Washer 5,3 DIN 125A	1 piece	-
25	Nut M5 DIN 980V	1 piece	-
Detail A5			
Item	Name	Piece	Spare part number
26	Controller	1 piece	0420915005625
27	Controller label	1 piece	0429415005171
28	Screw M3x10 BN 9524	2 piece	0030400300105

4. Connection of the exchanger



Connection of the exchanger

GB

Item	Name
A	Outlet of heating water (inside thread G1")
B	Intake of return water (inside thread G1")
C	Orifice for the well of thermo-static sensor (inside thread G1/2")/coolant loop
D	Orifice for the well of thermo-static sensor (inside thread G1/2")/circulation pump

5. Easy control

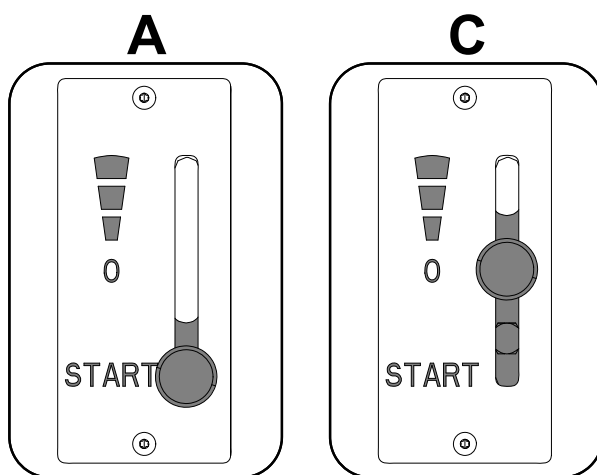
Control of all three air inputs - primary, secondary, tertiary - by means of one sole controller.

1. The controller is in the position intended for ignition (fig. A). All three air inputs are open (primary, secondary, tertiary).
2. The controller is in the position intended for burning of the stove after ignition (fig. B).
3. The controller is in the position designed to close air inputs (Fig. C). No input is open (primary, secondary, tertiary). This position is used only when the stove is out of operation, after finishing the heating process.

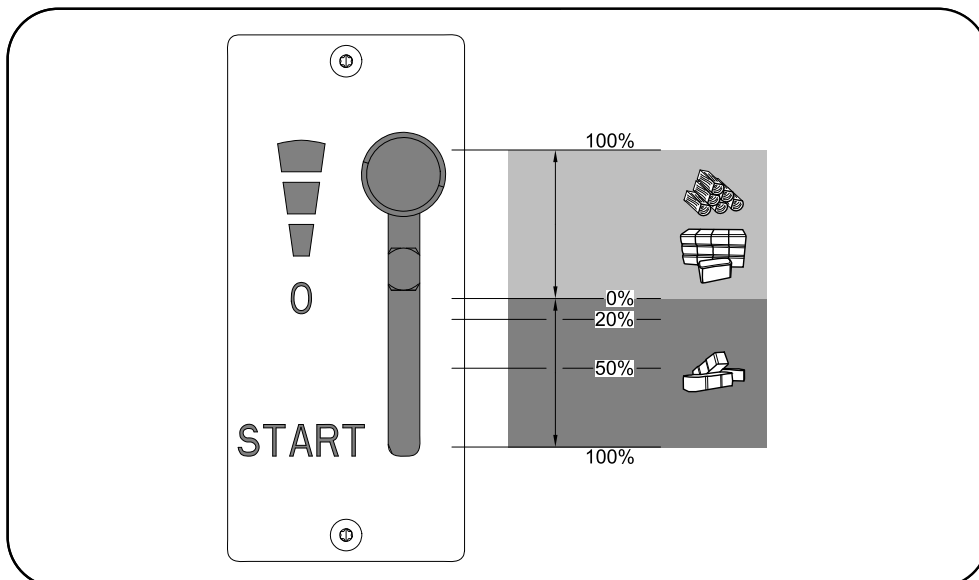


WARNING

Air inputs may not be closed during the heating operation (Fig. C)! In an extreme case, there can occur an explosion in the stove followed by breaking of glass, blowing up of cinders across the room and breaking out of the fire.



B

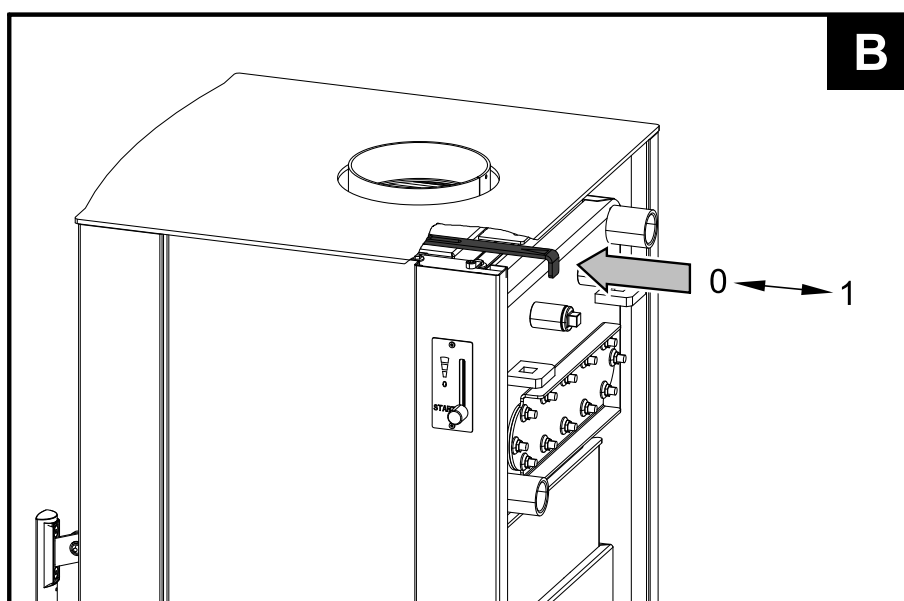
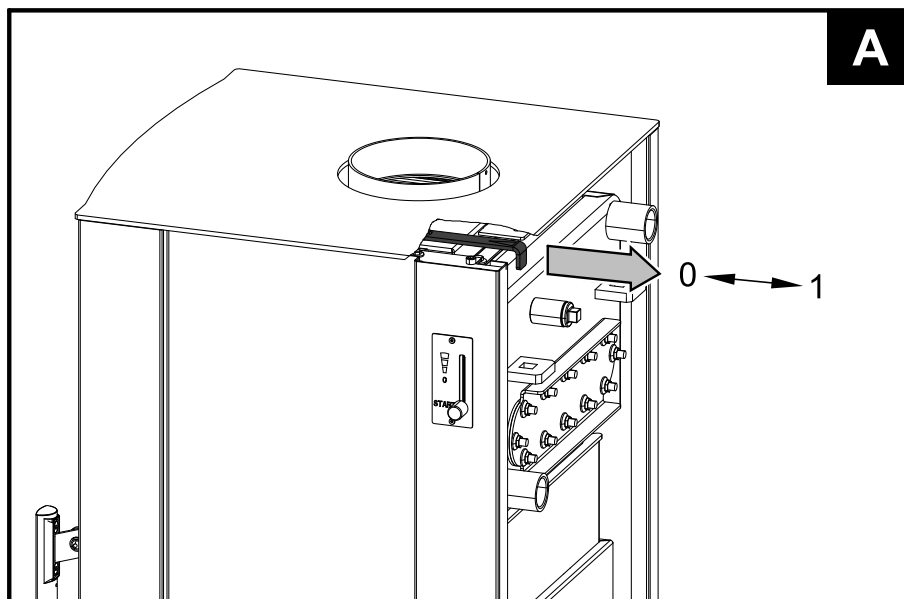


6. Kindling vent



IMPORTANT

In case of reduced draft in the chimney, it is recommended to open the kindling vent. If this situation occurs, it is possible to operate the furnace with the kindling vent open for a short period of time. The kindling vent is opened if the controller is in the position 1 (Fig. A). When improving the climatic conditions (increasing the chimney draft), move the controller to the position 0 (fig. B) and the kindling vent will close.



7. Installation of the coolant loop

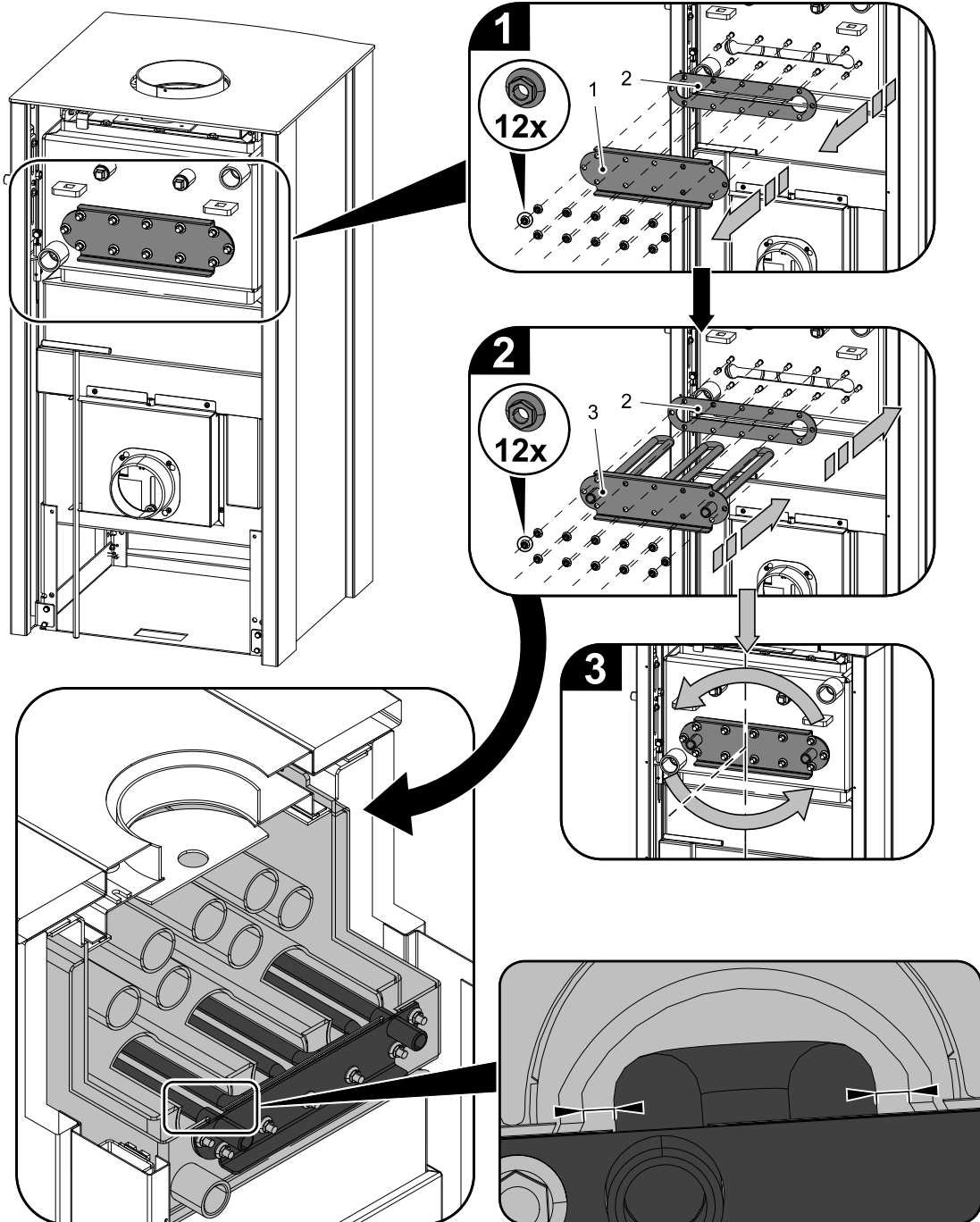


IMPORTANT

The cooling loop is supplied as a special accessory.

Installation of the coolant loop

GB



Item	Name	Spare part number
1	Sealing	0434515005116
2	Loop cover/black	0434515106016
3	Coolant loop	0434515006108

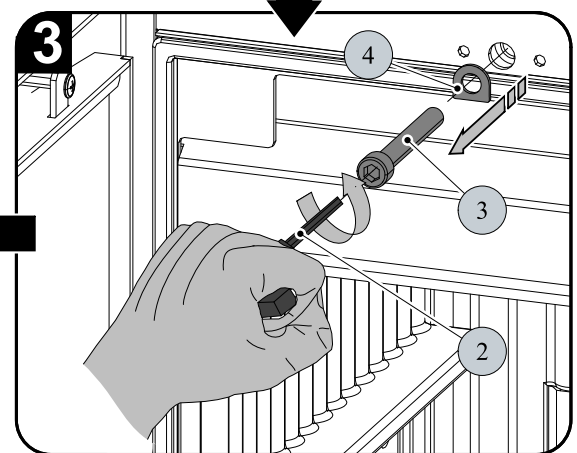
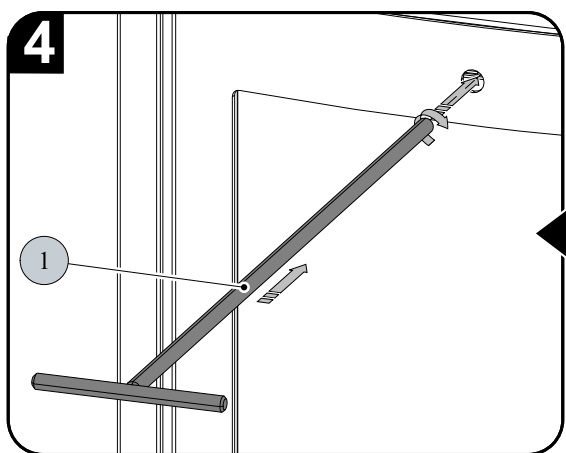
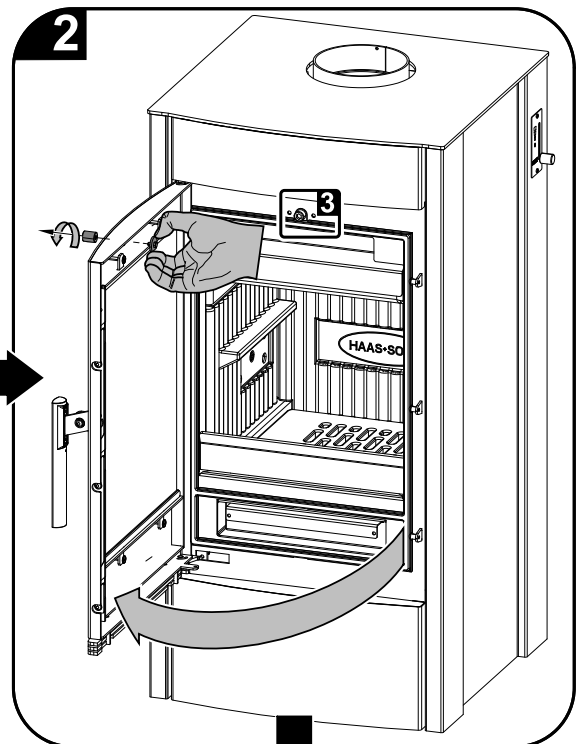
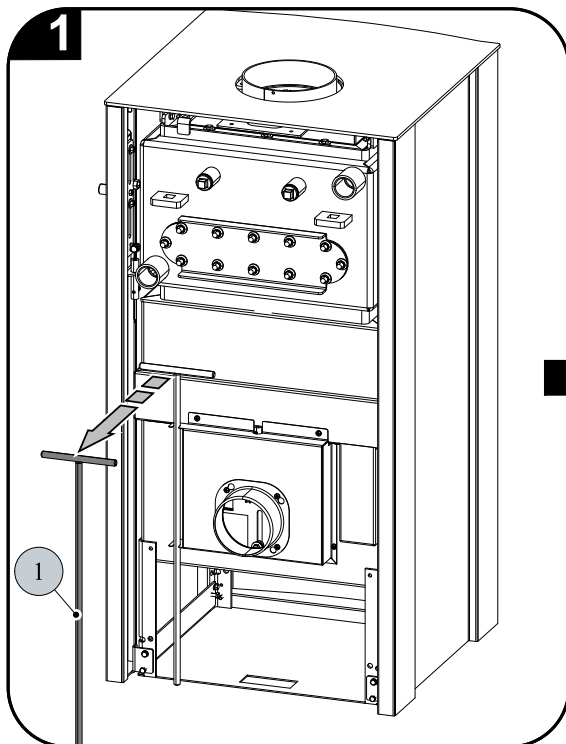
8. Instructions for cleaning of the exchanger



IMPORTANT

It is recommended to perform the cleaning by wiping blade (item 5, fig. 5) 1x in a week at least, or more often, depending on the manner of operation

1. Preparation and mounting of the cleaning drawbar

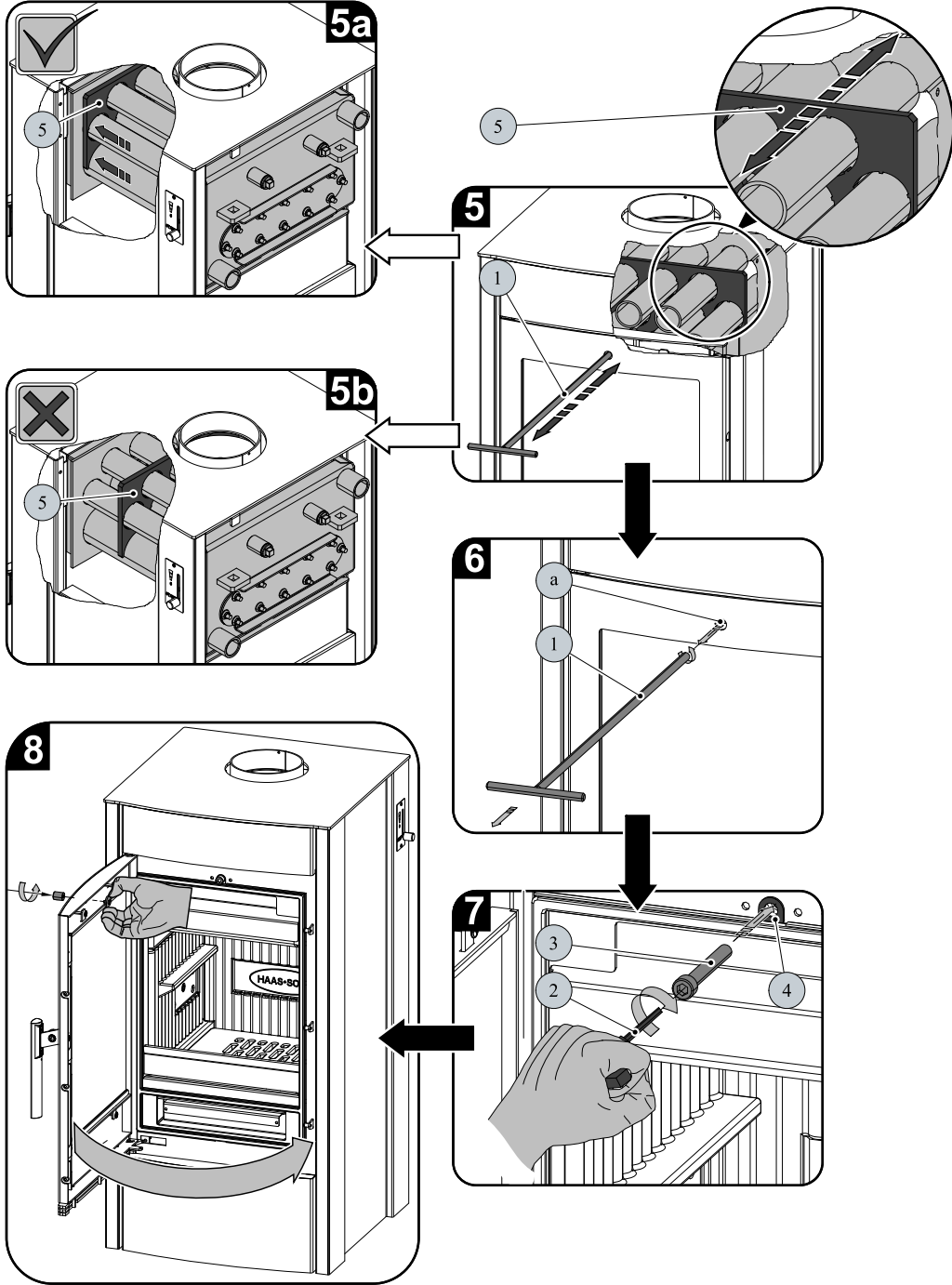


2. Proper cleaning, and arrestment of the cleaning board



IMPORTANT

Once the clearing is terminated, arrest the wiping blade always (fig. 5a). Do not leave the wiping blade above a flame (fig. 5b) and the orifice (a, fig. 6) passable freely.



Item	Name	Spare part number
1	Drawbar of cleaning/black	0433317005063
2	Allen wrench 8 mm (forms part of the delivery)	9001700080005
3	Screw M10x80 (DIN 912)	0030031000805
4	Handrail washer/black	0434515005011
5	Wiping blade	—

