

HAAS
+
SOHN

Dale with oven
Jonsbo with oven

Equipment sheet
Fireplace stove

GB

Notes in the text



Of utmost importance there are the notes entitled **WARNING**. The notes entitled **WARNING** advise you on **serious danger of damage to the heating device or of an injury**.



The note entitled **Notice** advises you on possible damage to your heating device.



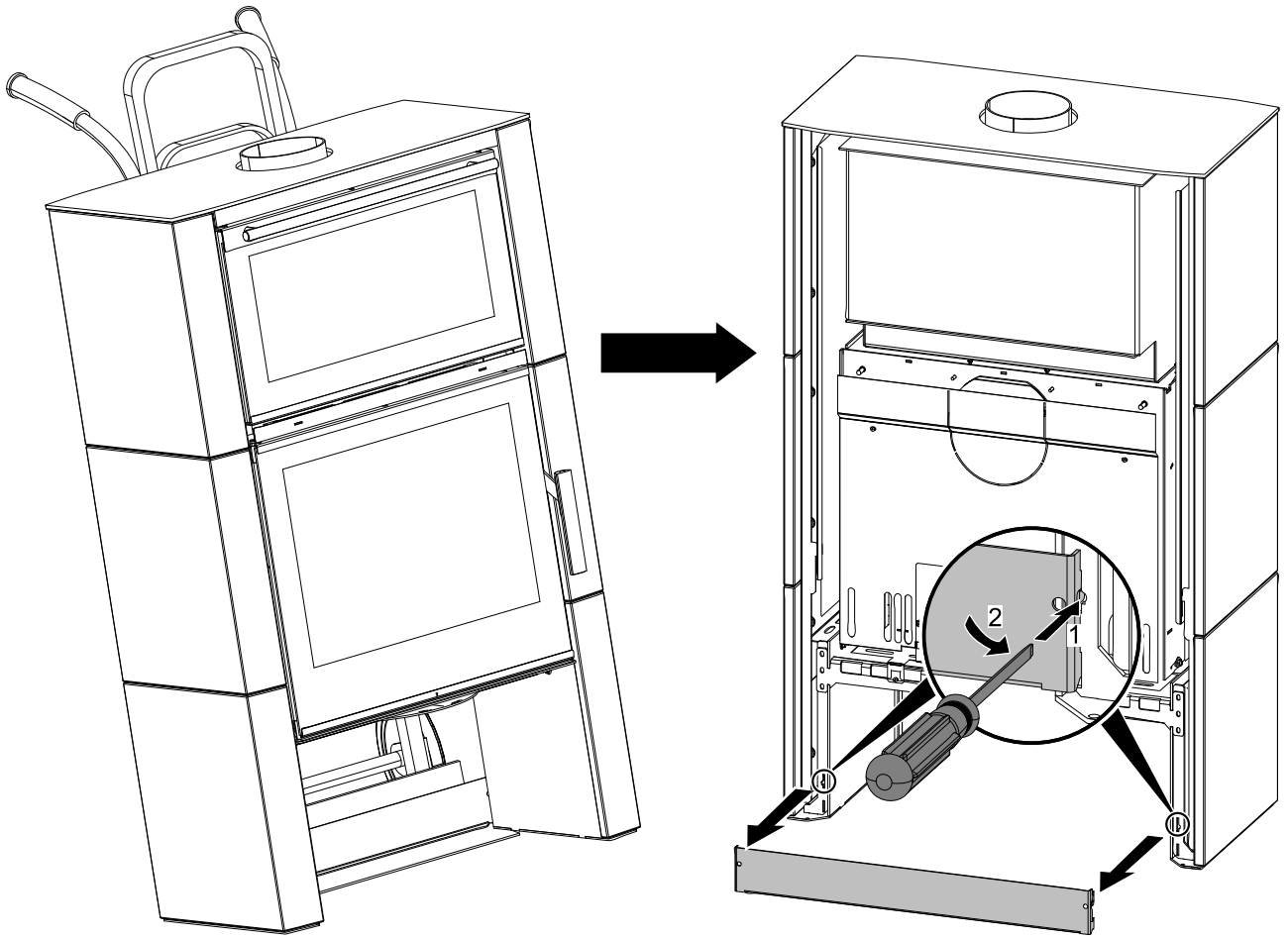
The note entitled **Important** calls your attention to the information important for the operation of your heating device.



The note itself calls your attention to the information important for the operation of your heating device in general.

Contents

1. Technical data	1
1.1. Suitable fuel, stoking amount of fuel	1
2. Technical description	2
2.1. Version - ceramics	2
2.2. Version - metal sheet	3
3. List of spare parts	4
3.1. Overall scheme of the model	4
3.2. Detail A1	6
3.3. Detail A2	7
4. Easy control	8
5. Cleaning and maintenance	9
5.1. Removing the oven door	9
5.2. Assembling the oven door	10
5.3. Thermometer	10
5.4. Cleaning the flue gas passes - monthly maintenance	11
5.4.1. Version - ceramics	11
5.4.2. Version - metal sheet	12
5.4.3. Alternative cleaning	13
6. Conversion of the external air input	14



1. Technical data

	Block wood
Achievable heat output	8,1 kW
Nominal heat output	7,8 kW
Testing standard	EN 13240
Energy efficiency	88,3 %
Average concentration of CO at 13% O ₂	≤ 1,0 %
Average concentration of CO at 13% O ₂	≤ 1500 mg/Nm ³
Average concentration of OGC at 13% O ₂	≤ 120 mg/Nm ³
Average concentration of NOx at 13% O ₂	≤ 200 mg/Nm ³
Average concentration of dust at 13% O ₂	≤ 40 mg/Nm ³
Amount of combustion products at nominal output	5,9 g/s
Temperature of combustion products in the smoke flue neck	195 °C
Minimum draft of the chimney at nominal heat output	12 Pa

1.1. Suitable fuel, stoking amount of fuel

Fuel:	Max. stoking amount of fuel
Block wood:	2 - 3 logs (max. 2,2 kg)
Length of wood logs:	Max. 50 cm



Note

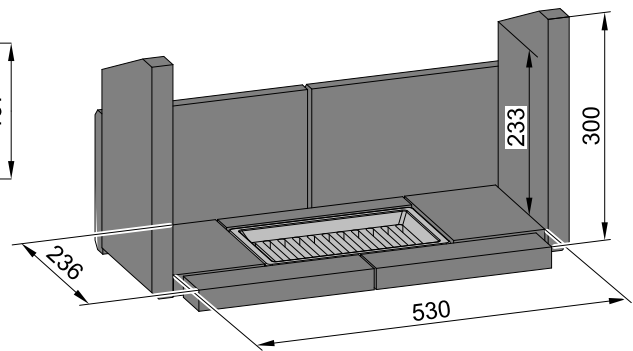
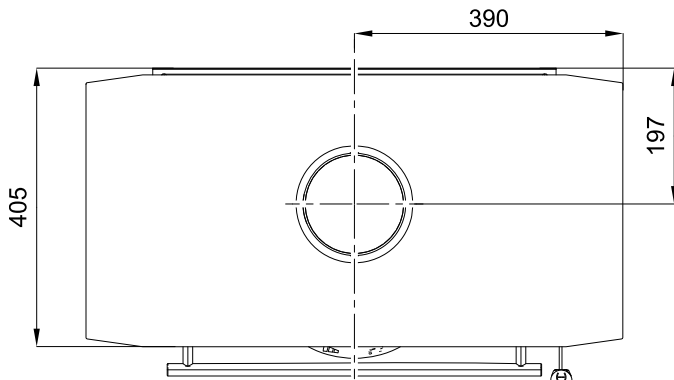
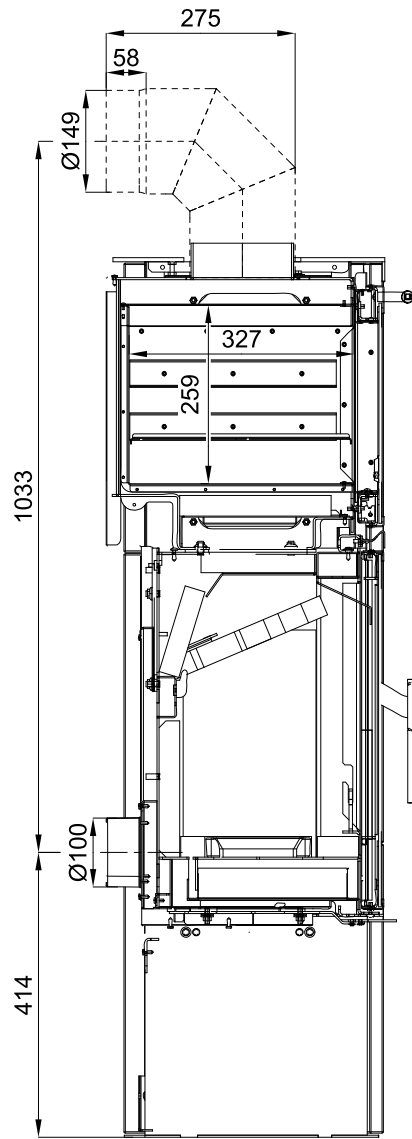
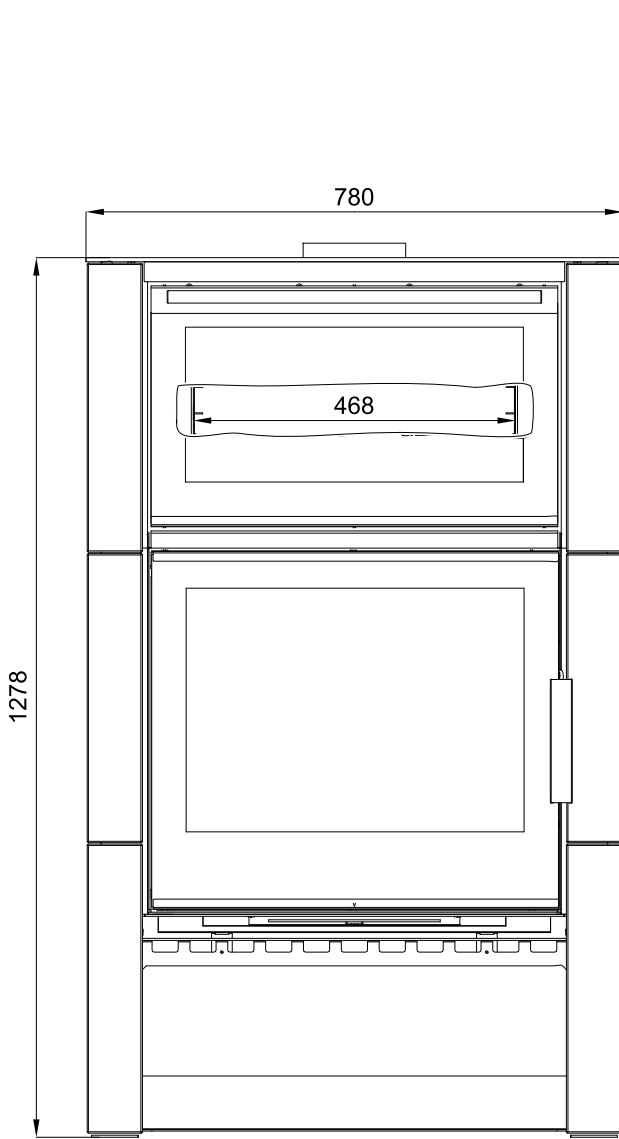
When heating with wood stock, employ solely the types of wood which have been stored for two years and their residual humidity is at most 17 %.

2. Technical description

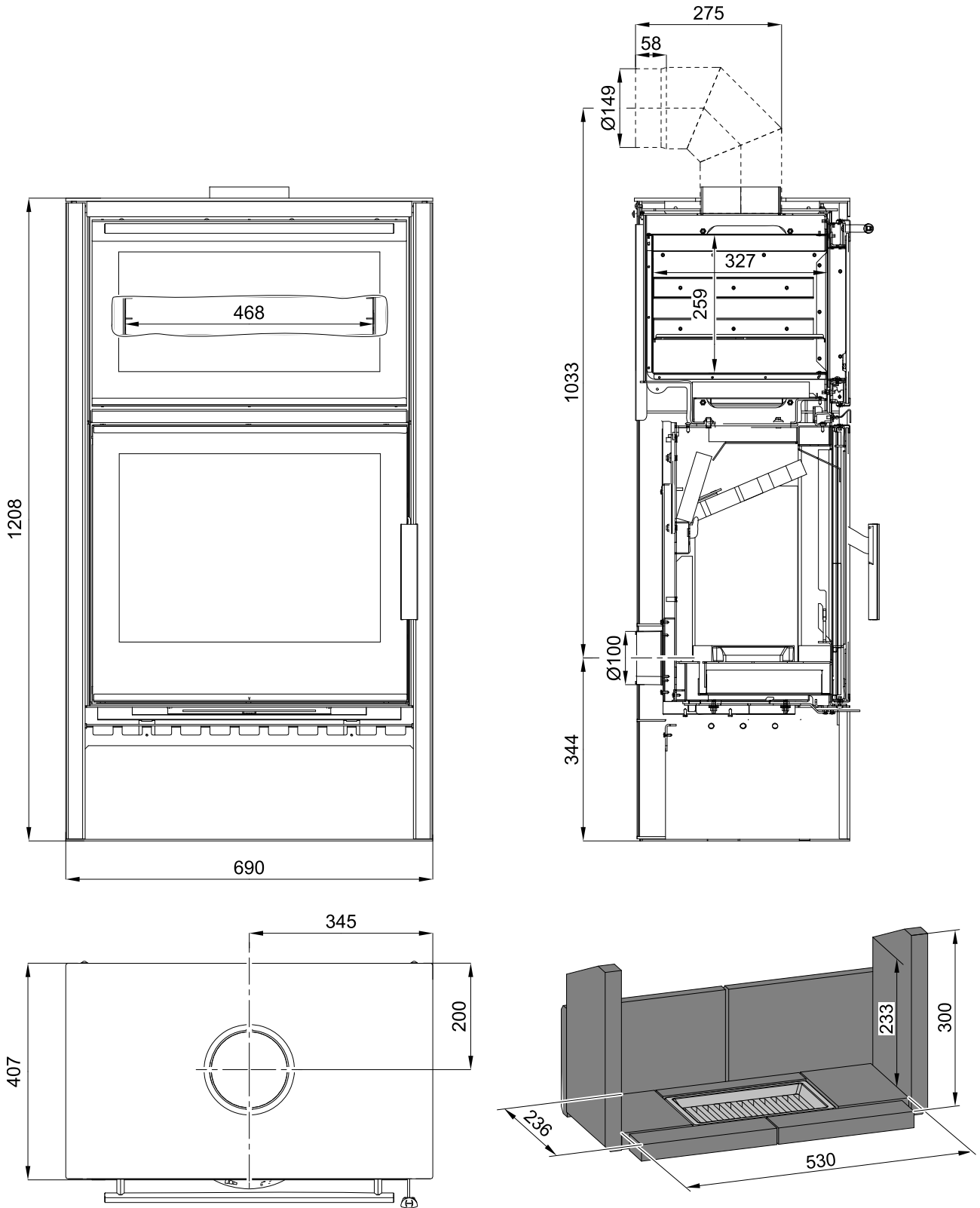
2.1. Version - ceramics

Technical description

GB



2.2. Version - metal sheet

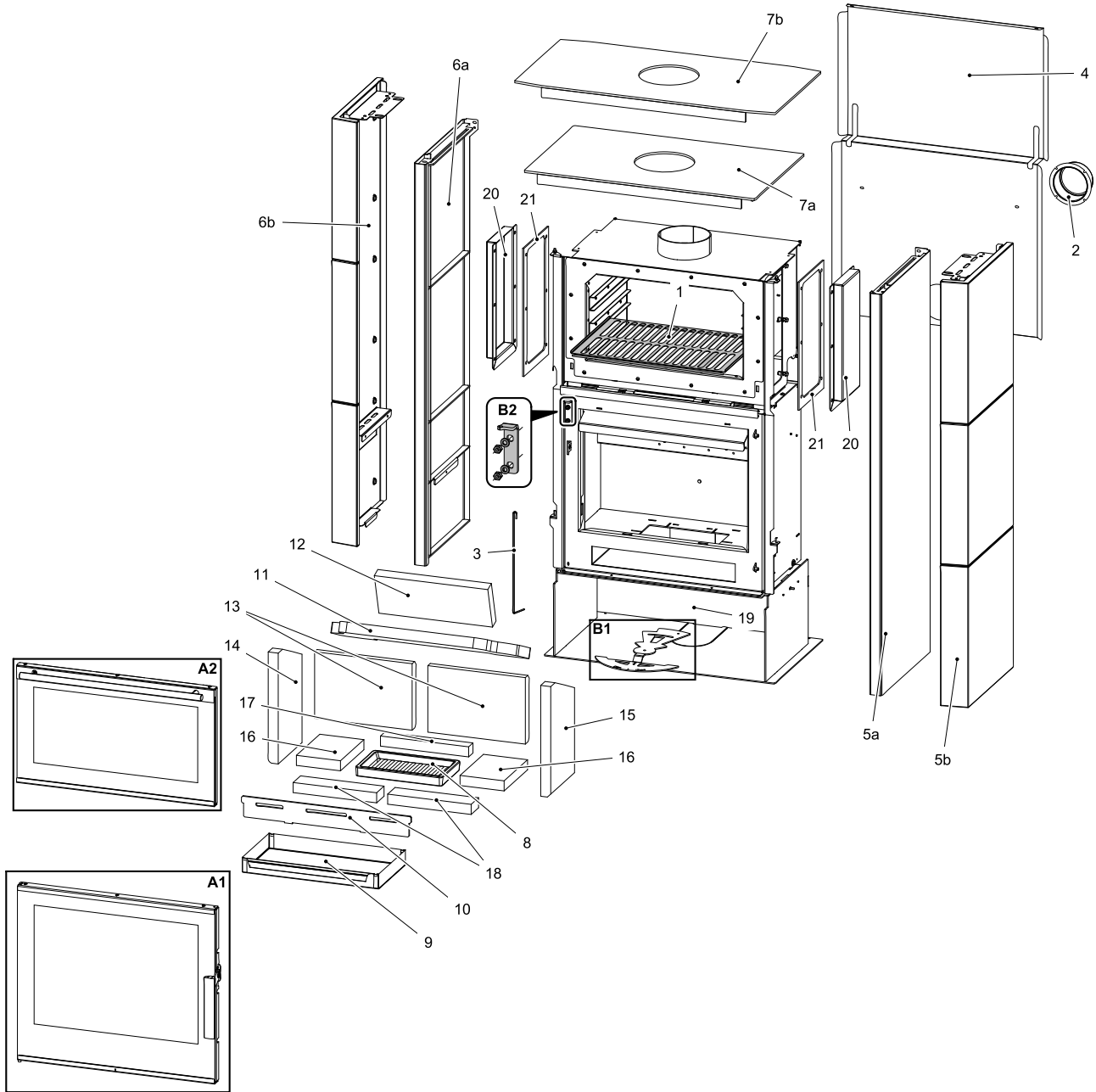


3. List of spare parts

3.1. Overall scheme of the model

List of spare parts

GB

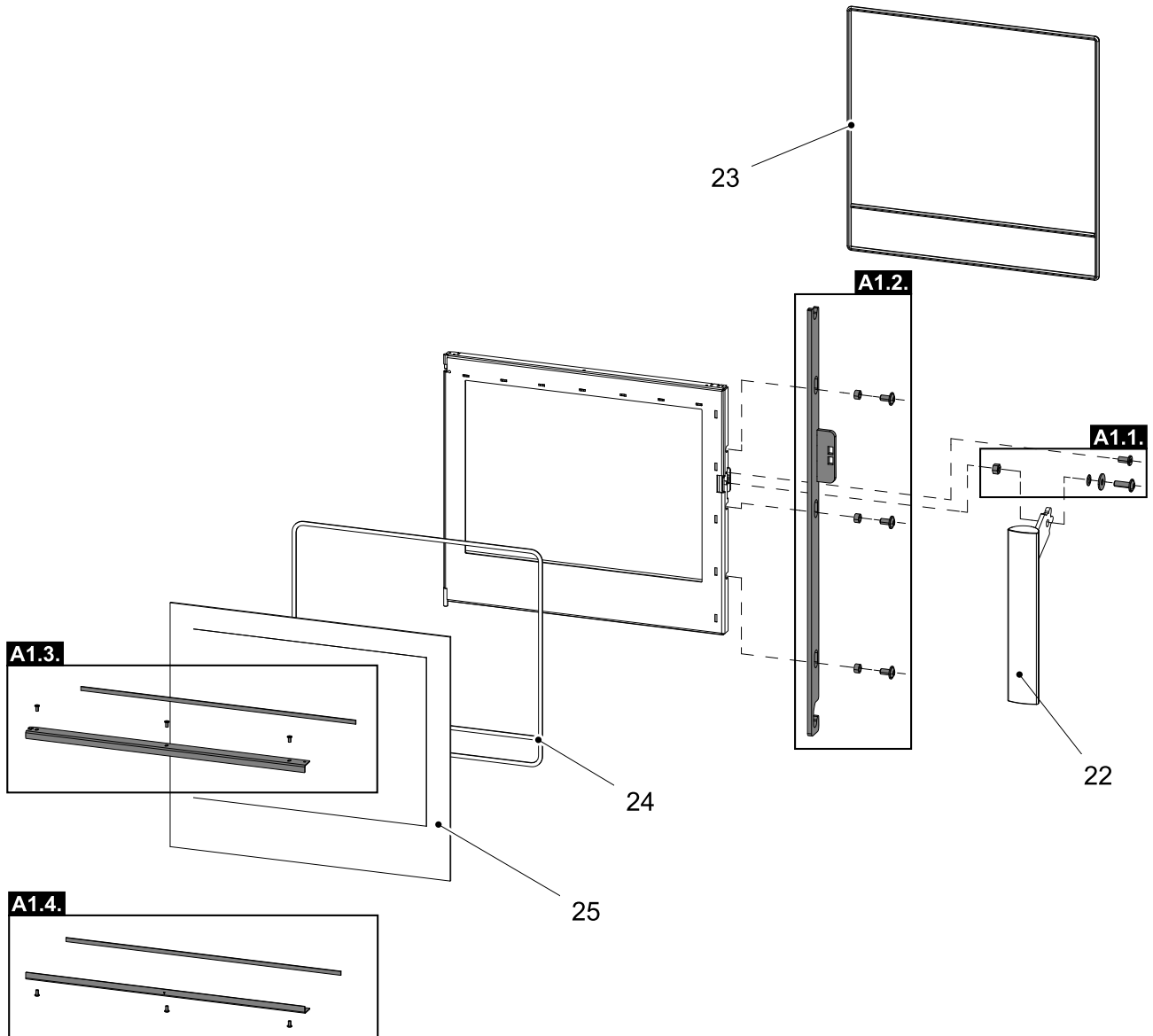


Item	Name	Quantity	Number of goods
Overall scheme of the model			
A1	Fire-box door (complete)/anthracite	1 piece	0434715205300
A1	Fire-box door (complete)/anthracite, black-glossy	1 piece	0434715225300
A2	Oven door (complete)/anthracite	1 piece	0434715305300
A2	Oven door (complete)/anthracite, black-glossy	1 piece	0434715316300
B1	Easycontrol – Set	1 piece	0434715565023
B2	Fire-box door suspension (complete)	1 piece	0434715505124
1	Grille	1 piece	0434715305020

2	External air input (Ø100)	1 piece	0088500050008
3	Door spring	1 piece	0434715005316
4	Rear cover	1 piece	0434715305040
5a	Side wall right/anthracite	1 piece	0434715315200
5b	Side wall C right/anthracite-metallic	1 piece	0434715315100
6a	Side wall left/anthracite	1 piece	0434715315300
6b	Side wall C left/anthracite-metallic	1 piece	0434715315110
7a	Cover plate/anthracite	1 piece	0434715305800
7b	Cover plate/anthracite	1 piece	0434715315800
8	Grate	1 piece	0429415005005
9	Ashpan	1 piece	0434715005700
10	Protection	1 piece	0434715015013
11	Screen loose (560x240x30)	1 piece	0434715005510
12	Screen loose — rear (340x130x30)	1 piece	0434715005507
13	Brick 198x292x30	2 piece	0434715005501
14	Brick 330x193x30	1 piece	0434715005503
15	Brick 330x193x30	1 piece	0434715005509
16	Brick 130x190x30	2 piece	0434715005504
17	Brick 264x35x30	1 piece	0434715005505
18	Brick 250x60x30	2 piece	0434715005506
19	Blind flange	1 piece	0088500070005
20	Cover-cleaning hole/anthracite	2 piece	0434715305035
21	Sealing	2 piece	0434715305030

3.2. Detail A1

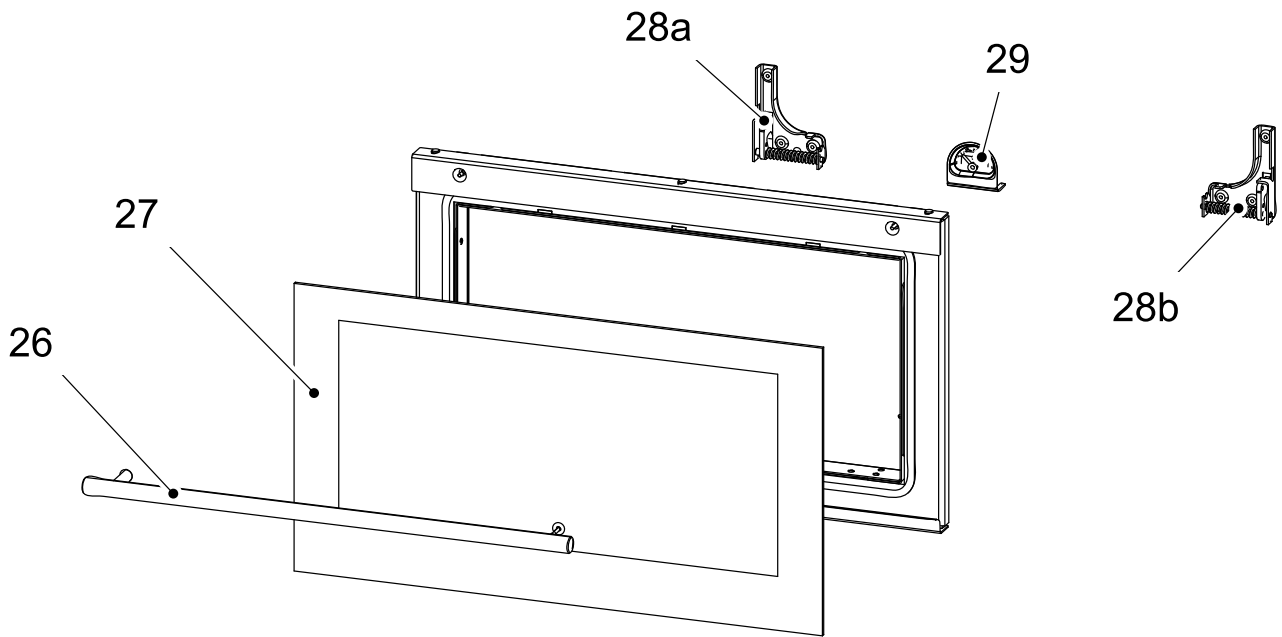
List of spare parts



GB

Item	Name	Quantity	Number of goods
Detail A1			
A1.1.	Handle connecting material — set	1 piece	0434715005012
A1.2.	Closing mechanism drawbar — set/anthracite	1 piece	0434715205325
A1.3.	Upper glass holder — set/anthracite	1 piece	0434715005311
A1.3.	Upper glass holder — set/anthracite, black-glossy	1 piece	0434715015311
A1.4.	Lower glass holder — set/anthracite	1 piece	0434715005310
A1.4.	Lower glass holder — set/anthracite, black-glossy	1 piece	0434715015310
22	Fire-box door lever lock (complete)	1 piece	0434715006320
23	Door sealing cord 10 mm	2050 mm	0040300100005
24	Glass sealing cord 6 mm	1950 mm	0040406000006
25	Refractory glass (512x591)	1 piece	0434715005301

3.3. Detail A2



Item	Name	Quantity	Number of goods
Detail A2			
26	Handle — set	1 piece	0429112006385
27	Glass	1 piece	0434715305301
28a	Hinge left	1 piece	0434715305310
28b	Hinge right	1 piece	0434715305311
29	Thermometer	1 piece	0434715305308

4. Easy control

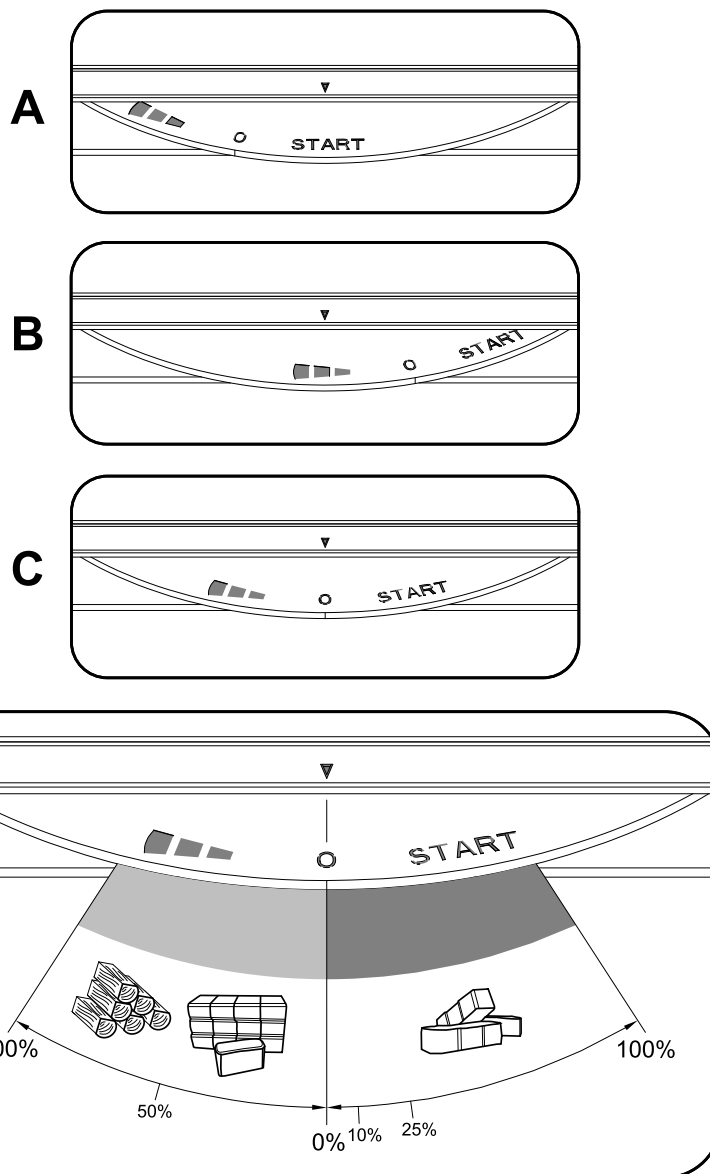
Control of all three air inputs - primary, secondary, tertiary - by means of one sole controller.

1. The controller is in the position intended for ignition (fig. A). All three air inputs are open (primary, secondary, tertiary).
2. The controller is in the position intended for burning of the stove after ignition (fig. B).
3. The controller is in the position designed to close air inputs (Fig. C). No input is open (primary, secondary, tertiary). This position is used only when the stove is out of operation, after finishing the heating process.



WARNING

Air inputs may not be closed during the heating operation (Fig. C)! In an extreme case, there can occur an explosion in the stove followed by breaking of glass, blowing up of cinders across the room and breaking out of the fire.



5. Cleaning and maintenance

Clean the oven after each use to prevent it from being contaminated. Remove grease with soapy water or detergent before the oven cools down. For difficult-to-remove dirt, use a standard oven and grill cleaner. Wipe off any detergent residue dry. When cleaning, do not use abrasive cleaners such as a scouring powder, a wire sponge or a rust remover. Use warm soapy water to clean the accessories.



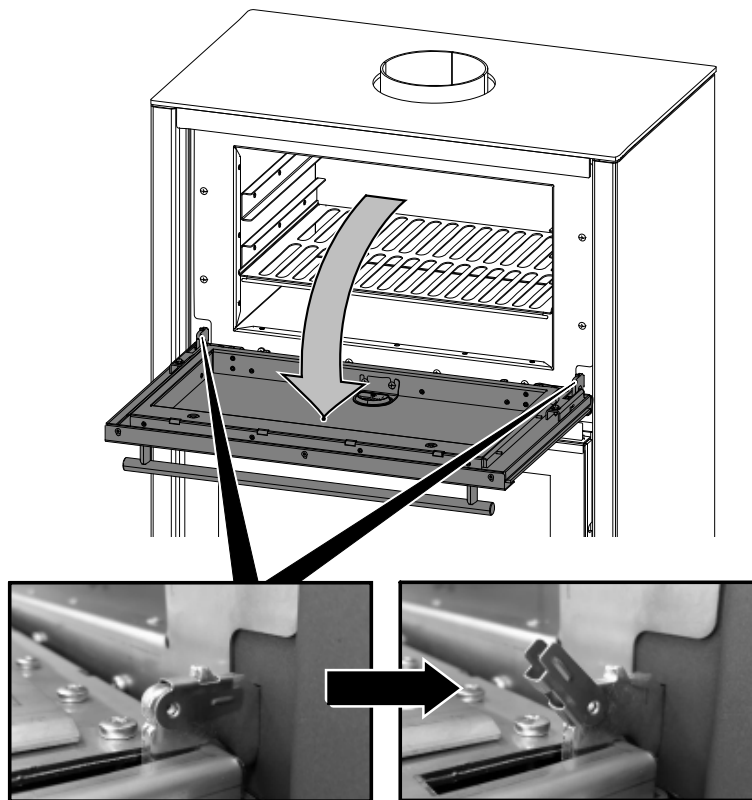
Note

Do not use the oven for drying textiles! It is used only for food preparation.

The inside of the oven is made of stainless steel and long-term heat can change the colour of the surface. This is due to the material used and cannot be completely prevented, so it cannot give rise to a complaint.

5.1. Removing the oven door

- Fully open the oven door
- Unlock the hinge quick releases
- Close slowly the oven door
- This releases the hinges from the lock
- Remove then the oven door



5.2. Assembling the oven door

- Fit the door hinges
- Open slowly the door to the limits
- Lock both hinge quick releases
- Close the door

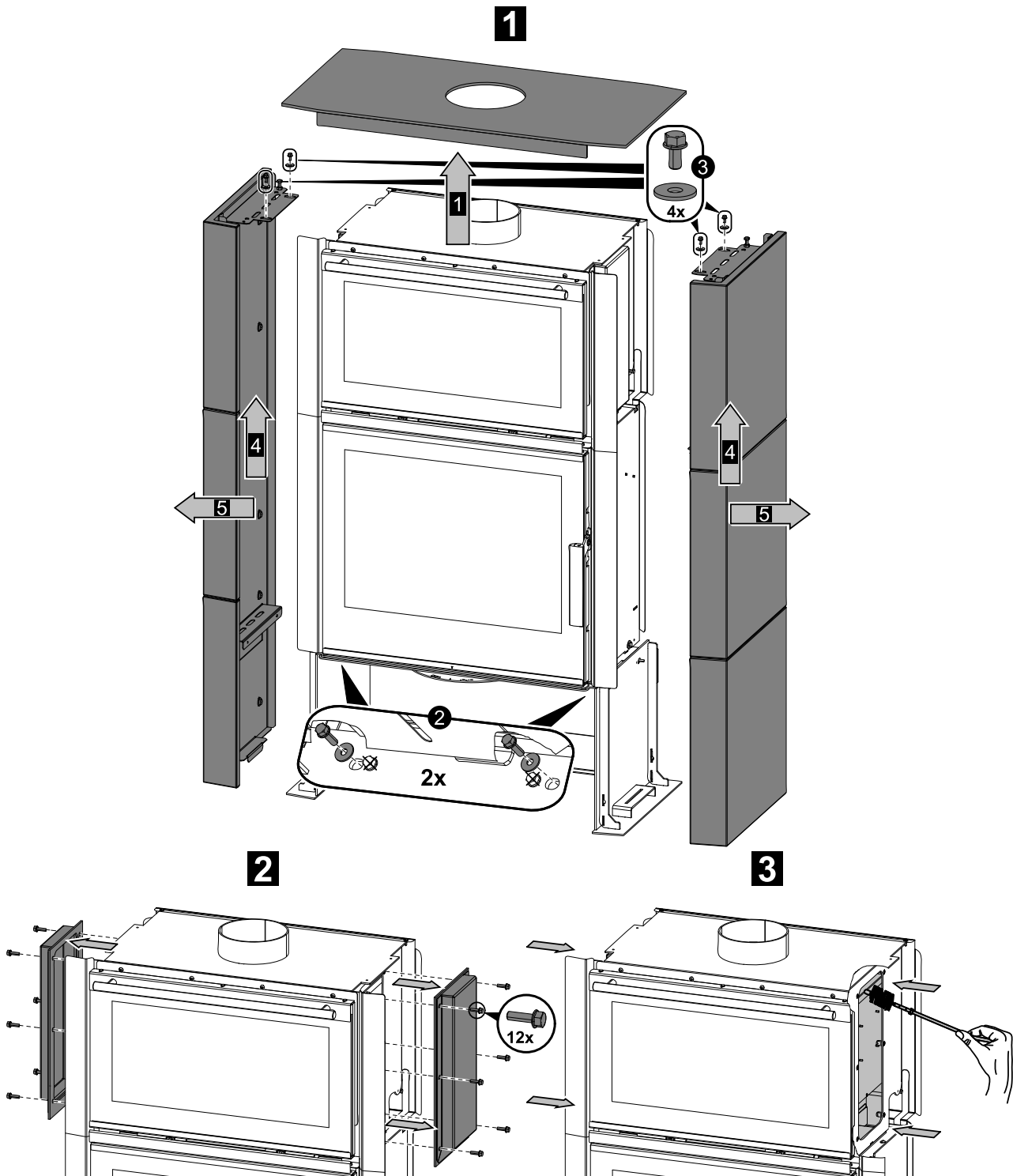
5.3. Thermometer



The thermometer in the oven door shows the current temperature inside the oven with a slight deviation.

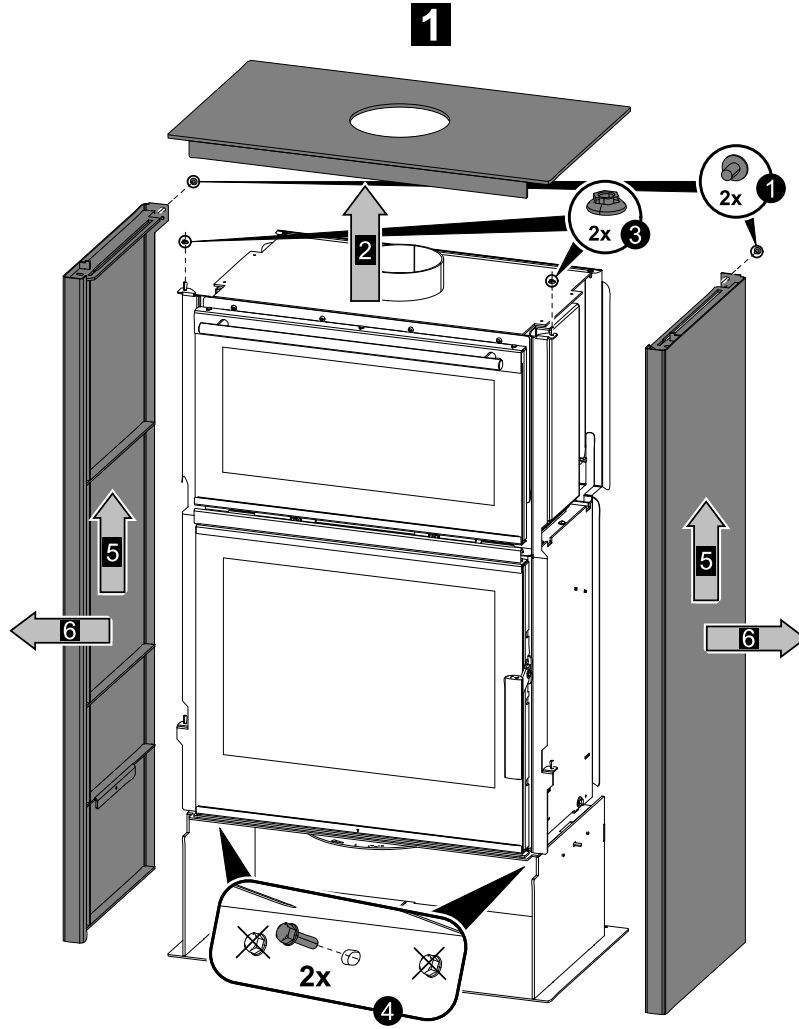
5.4. Cleaning the flue gas passes - monthly maintenance

5.4.1. Version - ceramics

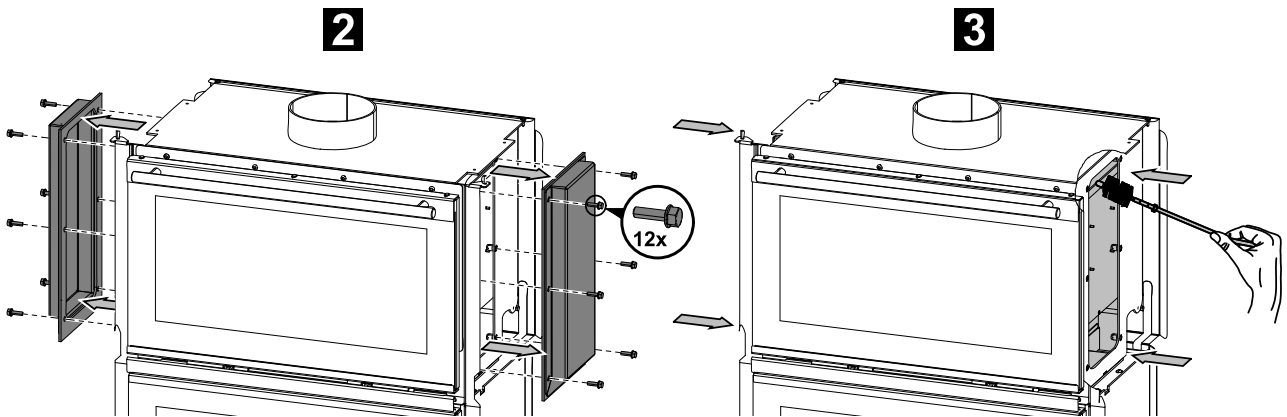


5.4.2. Version - metal sheet

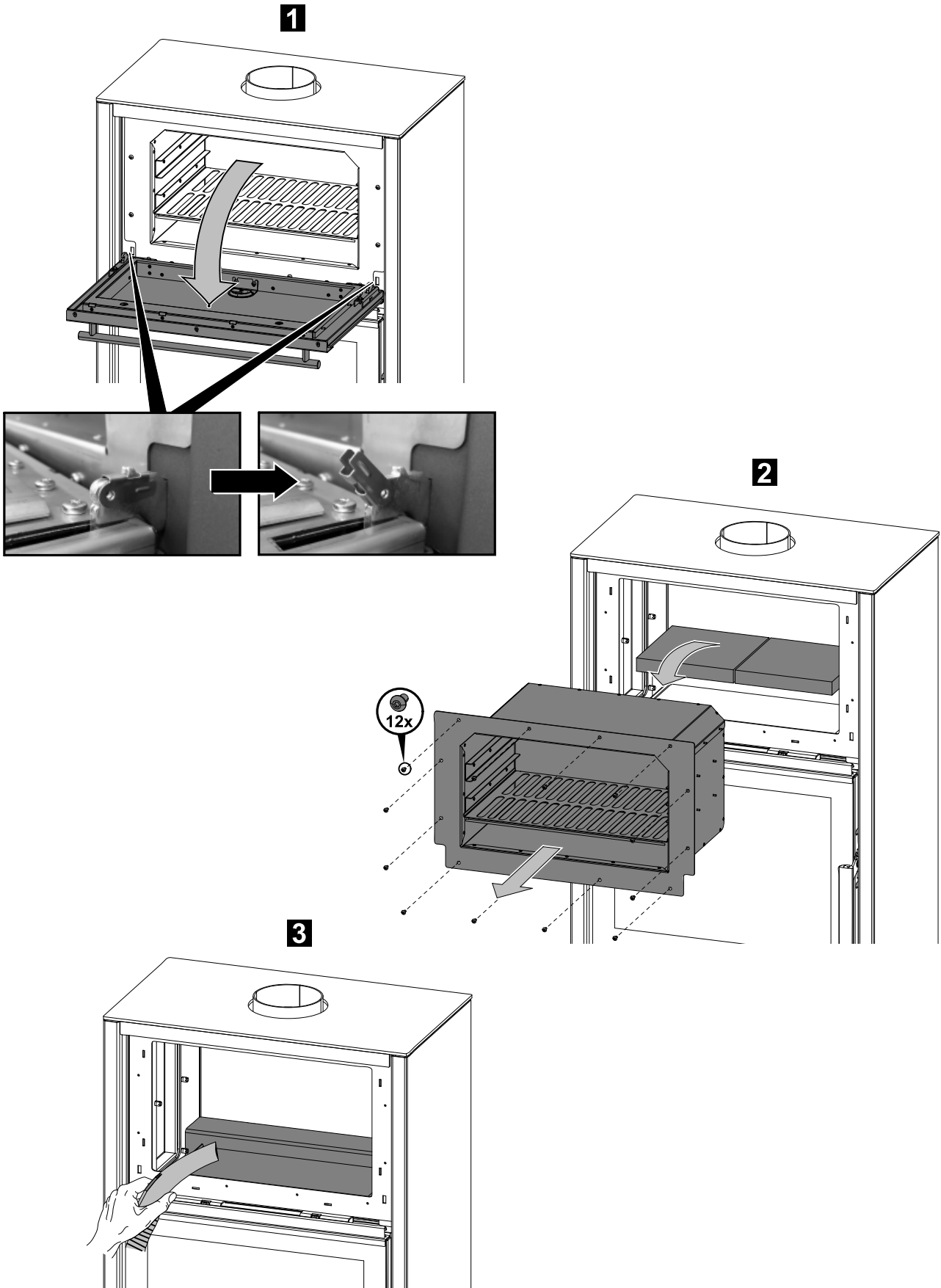
Cleaning and maintenance



GB



5.4.3. Alternative cleaning

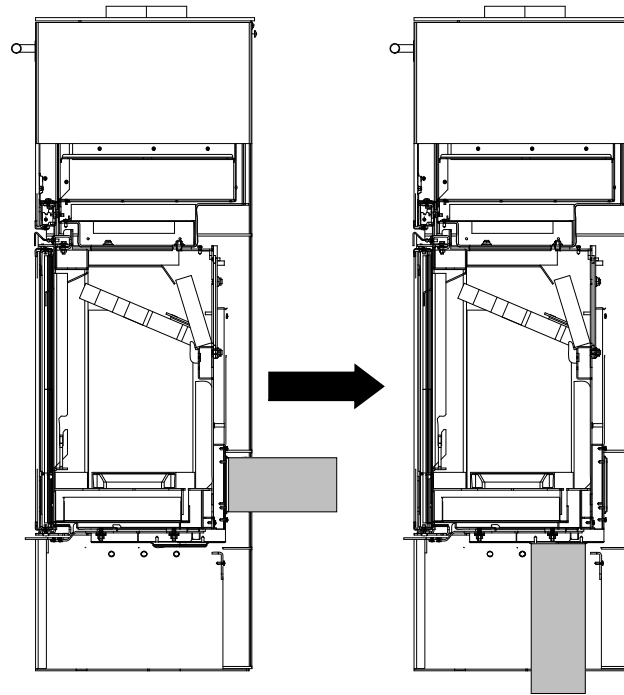


6. Conversion of the external air input



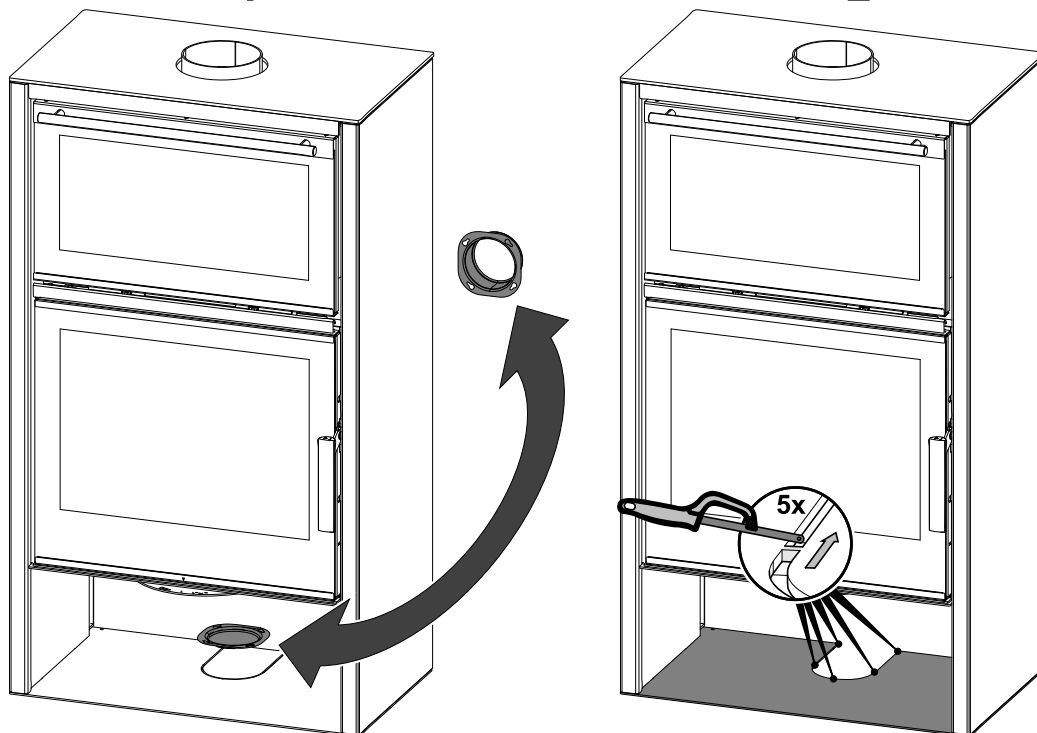
Note

Step 2 just for Jonsbo with oven.



1

2



GB

