

HAAAS  
+  
SOHN

## Skive II

**Equipment sheet**  
Fireplace stove

**GB**

# Introduction

**We thank you very much for purchasing our product!**

The description of the heating device will inform you in detail about the design, technical specification and operation of the heating device. We recommend you to acquaint yourselves closely with these data. In this way, you will avoid possible faults during the proper assembly and operation.

**You will find** detailed conditions of installation and operation in General Manual of Operation (included in the scope of the delivery).

## Notes in the text

GB



Of utmost importance there are the notes entitled **WARNING**. The notes entitled **WARNING** advise you on **serious danger of damage to the heating device or of an injury**.



The note entitled **Notice** advises you on possible damage to your heating device.



The note entitled **Important** calls your attention to the information important for the operation of your heating device.



The note itself calls your attention to the information important for the operation of your heating device in general.

# Contents

<b>1. Technical data</b> .....	1
1.1. Suitable fuel, stoking amount of fuel .....	1
<b>2. Technical description</b> .....	2
<b>3. List of spare parts</b> .....	3
3.1. Overall scheme of the model .....	3
3.2. Detail A1 .....	5
<b>4. Dimensioned diagram</b> .....	6
<b>5. Easy control</b> .....	7
<b>6. Change of the smoke neck</b> .....	8
<b>7. Conversion of the external air input</b> .....	9



# 1. Technical data

	<b>Block wood</b>
Achievable heat output	12,3 kW
Nominal heat output	12 kW
Testing standard	EN 13240
Energy efficiency	76,7 %
Average concentration of CO at 13% O <sub>2</sub>	≤ 1,0 %
Average concentration of CO at 13% O <sub>2</sub>	≤ 1500 mg/Nm <sup>3</sup>
Average concentration of OGC at 13% O <sub>2</sub>	≤ 120 mg/Nm <sup>3</sup>
Average concentration of NOx at 13% O <sub>2</sub>	≤ 200 mg/Nm <sup>3</sup>
Average concentration of dust at 13% O <sub>2</sub>	≤ 40 mg/Nm <sup>3</sup>
Amount of combustion products at nominal output	8,6 g/s
Temperature of combustion products in the smoke flue neck	366 °C
Minimum draft of the chimney at nominal heat output	12 Pa

## 1.1. Suitable fuel, stoking amount of fuel

Fuel:	Max. stoking amount of fuel
Block wood:	2 - 3 logs (max. 3,9 kg)
Length of wood logs:	Max. 50 cm
Saw-dust briquettes (DIN51731):	2 - 3 wooden briquettes (max. 3,4 kg)
Lignite briquette:	2 - 3 brown-coal briquettes (max. 2,4 kg)

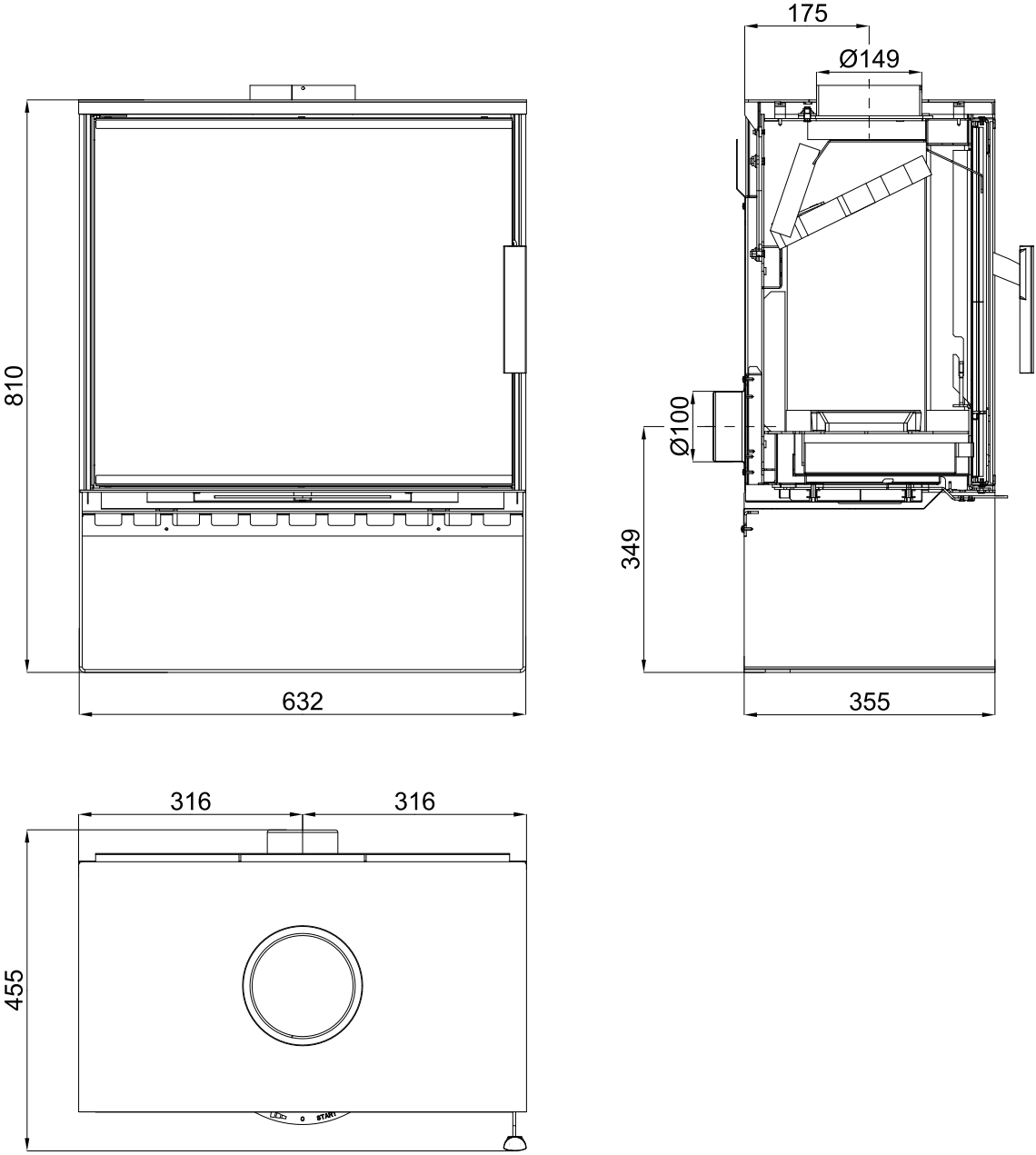


### Note

When heating with wood stock, employ solely the types of wood which have been stored for two years and their residual humidity is at most 17 %.

# 2. Technical description

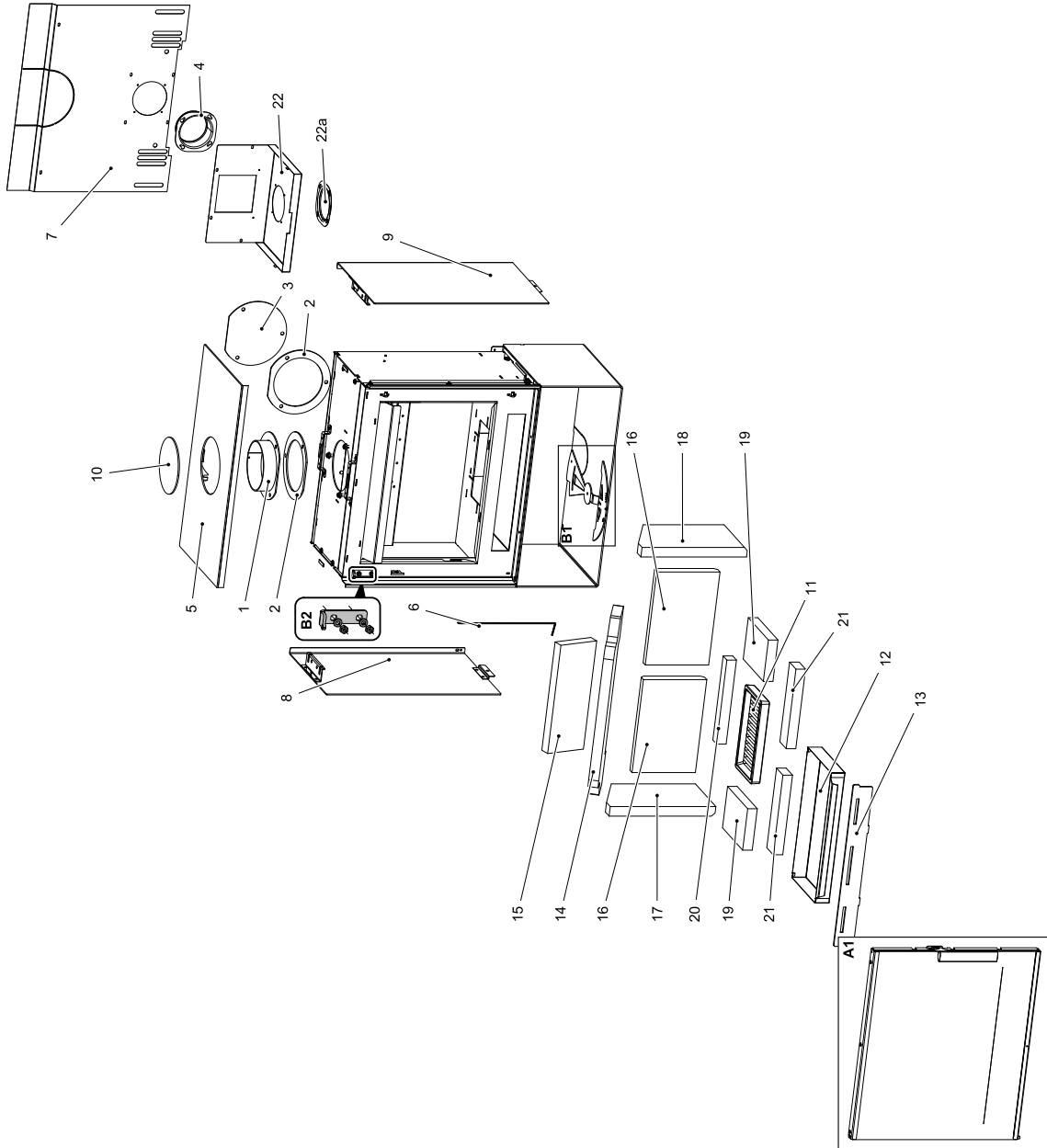
Technical description



GB

# 3. List of spare parts

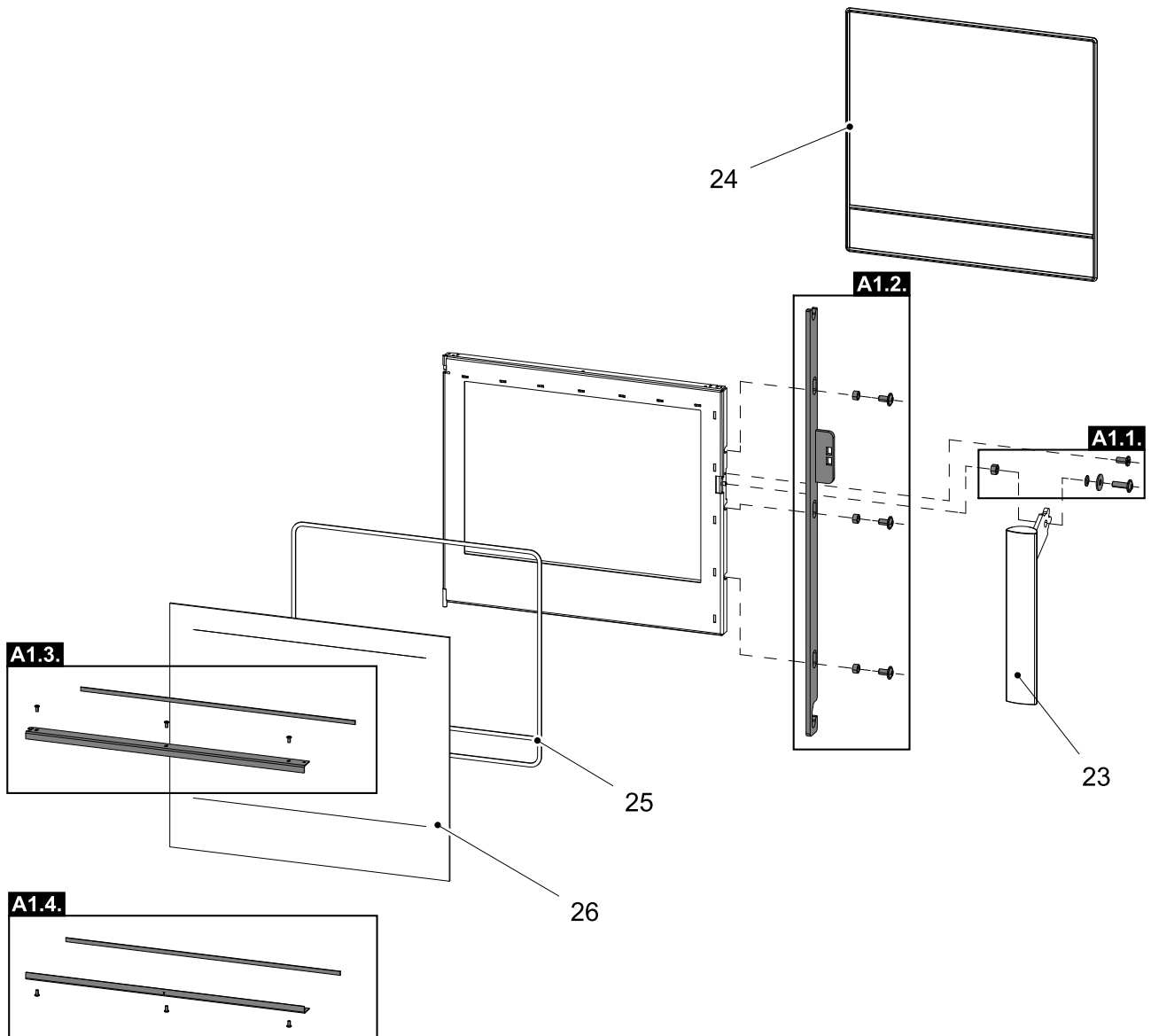
## 3.1. Overall scheme of the model



Item	Name	Quantity	Number of goods
<b>Overall scheme of the model</b>			
<b>A1</b>	Fire-box door (complete)/black	1 piece	0434715215300
<b>B1</b>	Easycontrol — set	1 piece	0434715505023
<b>B2</b>	Fire-box door suspension (complete)	1 piece	0434715506124
<b>1</b>	Smoke flue neck/black	1 piece	0434215005049
<b>2</b>	Smoke flue sealing	2 piece	0429415005060
<b>3</b>	Smoke flue blind flange /black	1 piece	0429415005048
<b>4</b>	External air input (Ø100)	1 piece	0088500050008
<b>5</b>	Lid/black	1 piece	0434715105030
<b>6</b>	Door spring	1 piece	0434715005316
<b>7</b>	Rear cover	1 piece	0434715505040
<b>8</b>	Lateral cover — left/black	1 piece	0434715556016
<b>9</b>	Lateral cover — right/black	1 piece	0434715556015
<b>10</b>	Lid blind flange/black	1 piece	0434715105023
<b>11</b>	Grate	1 piece	0020100130005
<b>12</b>	Ashpan	1 piece	0434715005700
<b>13</b>	Protection/black	1 piece	0434715015013
<b>14</b>	Screen loose (560x240x30)	1 piece	0434715005510
<b>15</b>	Screen loose — rear (340x130x30)	1 piece	0434715005507
<b>16</b>	Brick 198x292x30	2 piece	0434715005501
<b>17</b>	Brick 330x193x30	1 piece	0434715005503
<b>18</b>	Brick 330x193x30	1 piece	0434715005509
<b>19</b>	Brick 130x190x30	2 piece	0434715005504
<b>20</b>	Brick 264x35x30	1 piece	0434715005505
<b>21</b>	Brick 250x60x30	2 piece	0434715005506
<b>22</b>	Shading	1 piece	0434715505028
<b>22a</b>	Blind flange	1 piece	0088500070005



### 3.2. Detail A1



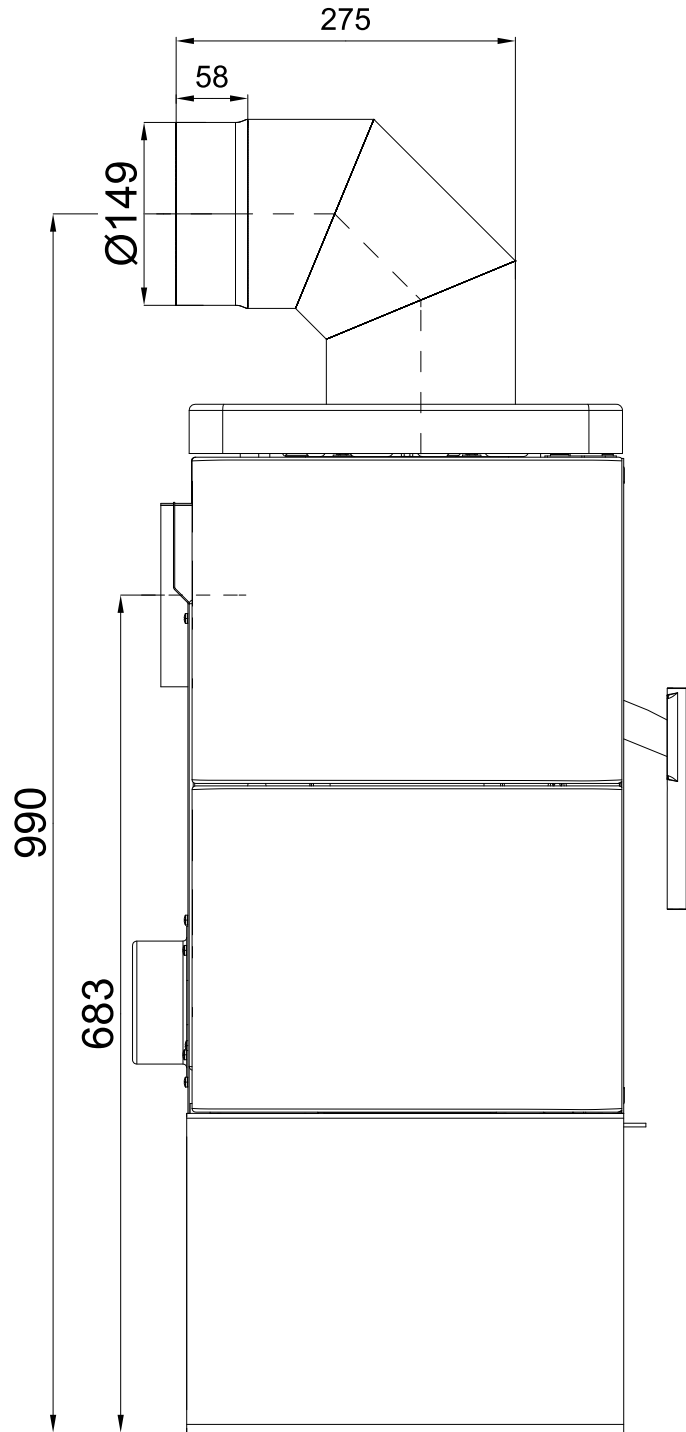
Item	Name	Quantity	Number of goods
<b>Detail A1</b>			
<b>A1.1.</b>	Handle connecting material — set	1 piece	0434715005012
<b>A1.2.</b>	Closing mechanism drawbar — set/black	1 piece	0434715206325
<b>A1.3.</b>	Upper glass holder — set/black	1 piece	0434715006311
<b>A1.4.</b>	Lower glass holder — set/black	1 piece	0434715006310
<b>23</b>	Fire-box door lever lock (complete)	1 piece	0434715006320
<b>24</b>	Door sealing cord - 10 mm	2560 mm	0040300100005
<b>25</b>	Glass sealing cord - 6 mm	2460 mm	0040406000006
<b>26</b>	Refractory glass (512x591)	1 piece	0434715005301

# 4. Dimensioned diagram



Note

The knee-piece of exhaust of combustion products is delivered as optional accessory.



Dimensioned diagram

GB

# 5. Easy control

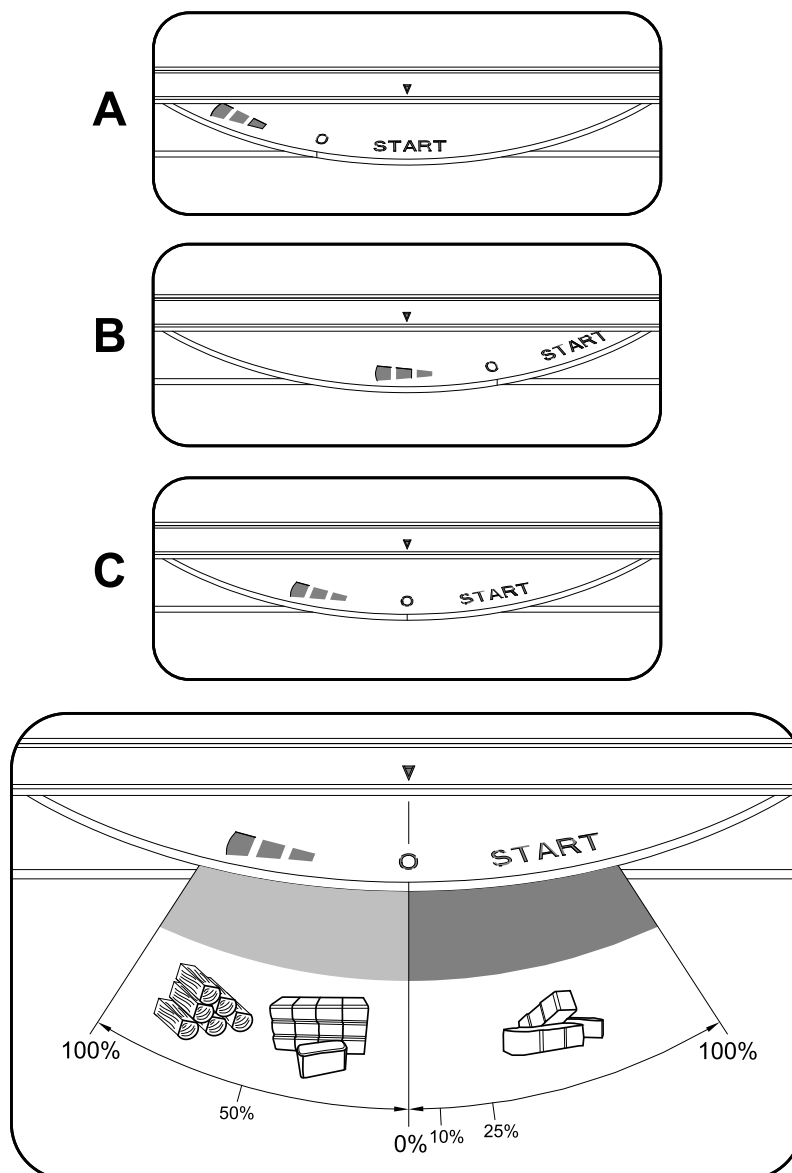
Control of all three air inputs - primary, secondary, tertiary - by means of one sole controller.

1. The controller is in the position intended for ignition (fig. A). All three air inputs are open (primary, secondary, tertiary).
2. The controller is in the position intended for burning of the stove after ignition (fig. B).
3. The controller is in the position designed to close air inputs (Fig. C). No input is open (primary, secondary, tertiary). This position is used only when the stove is out of operation, after finishing the heating process.



## WARNING

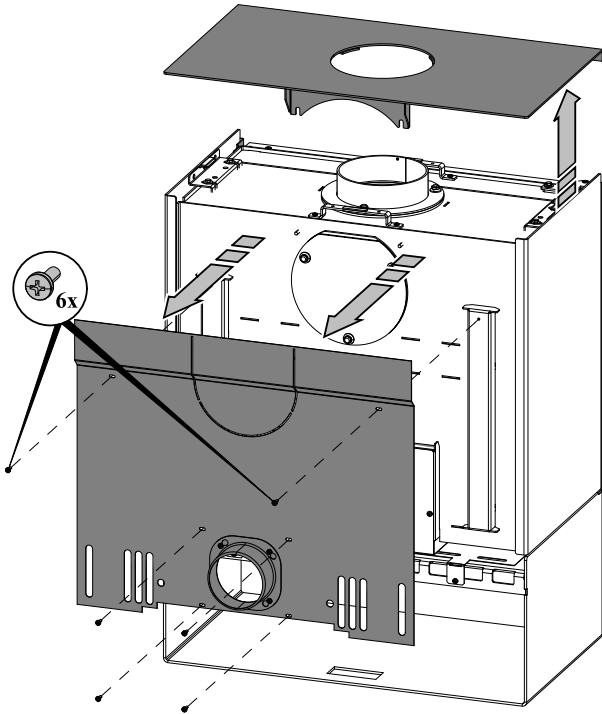
Air inputs may not be closed during the heating operation (Fig. C)! In an extreme case, there can occur an explosion in the stove followed by breaking of glass, blowing up of cinders across the room and breaking out of the fire.



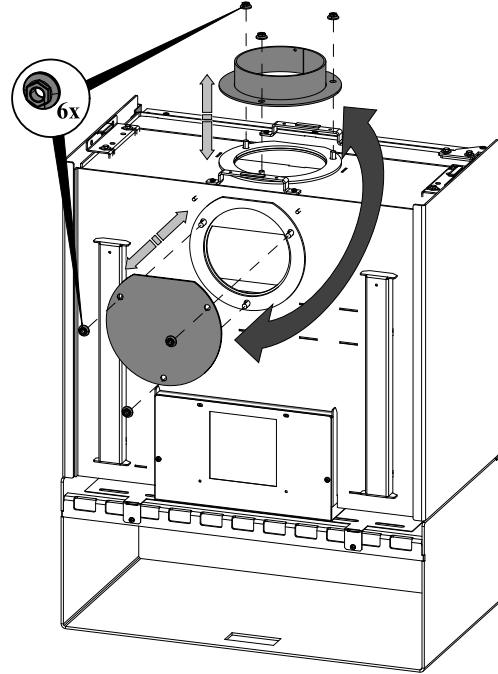
# 6. Change of the smoke neck

Change of the smoke neck

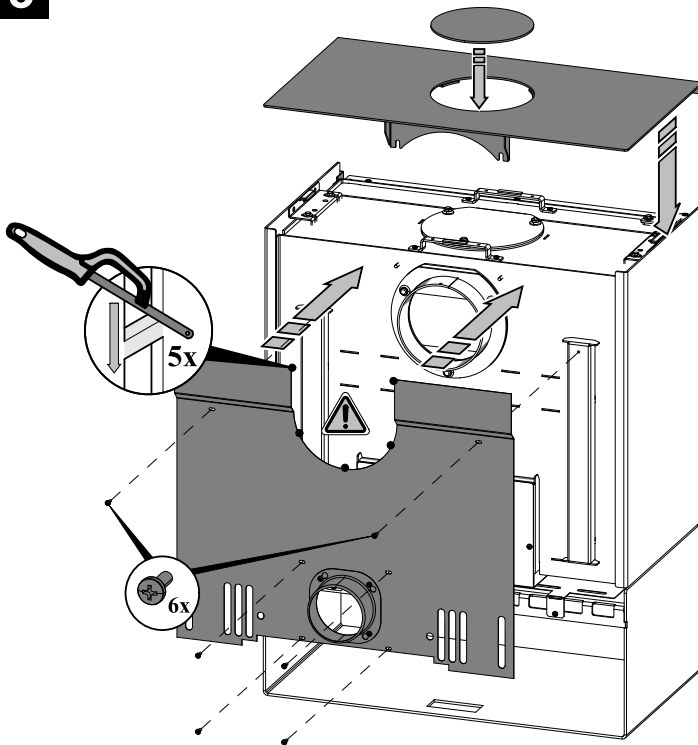
1



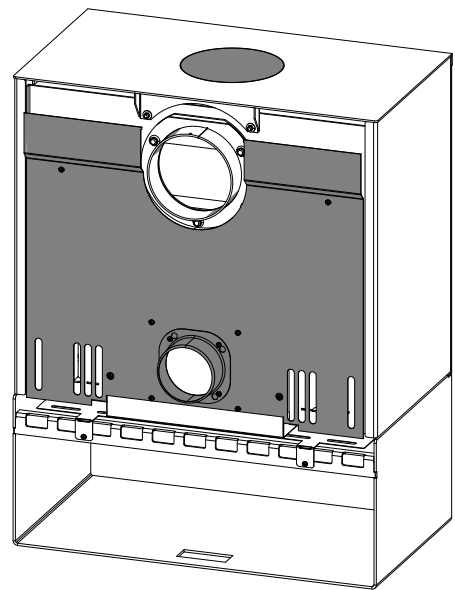
2



3

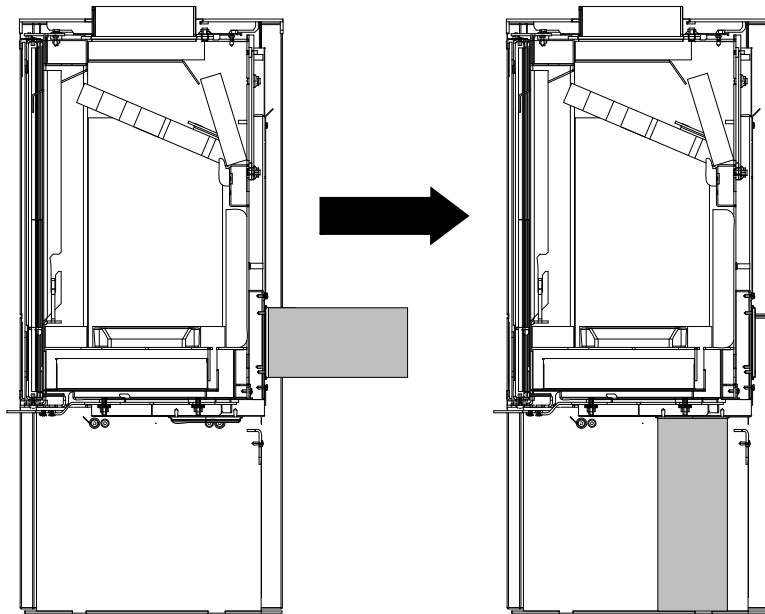


4



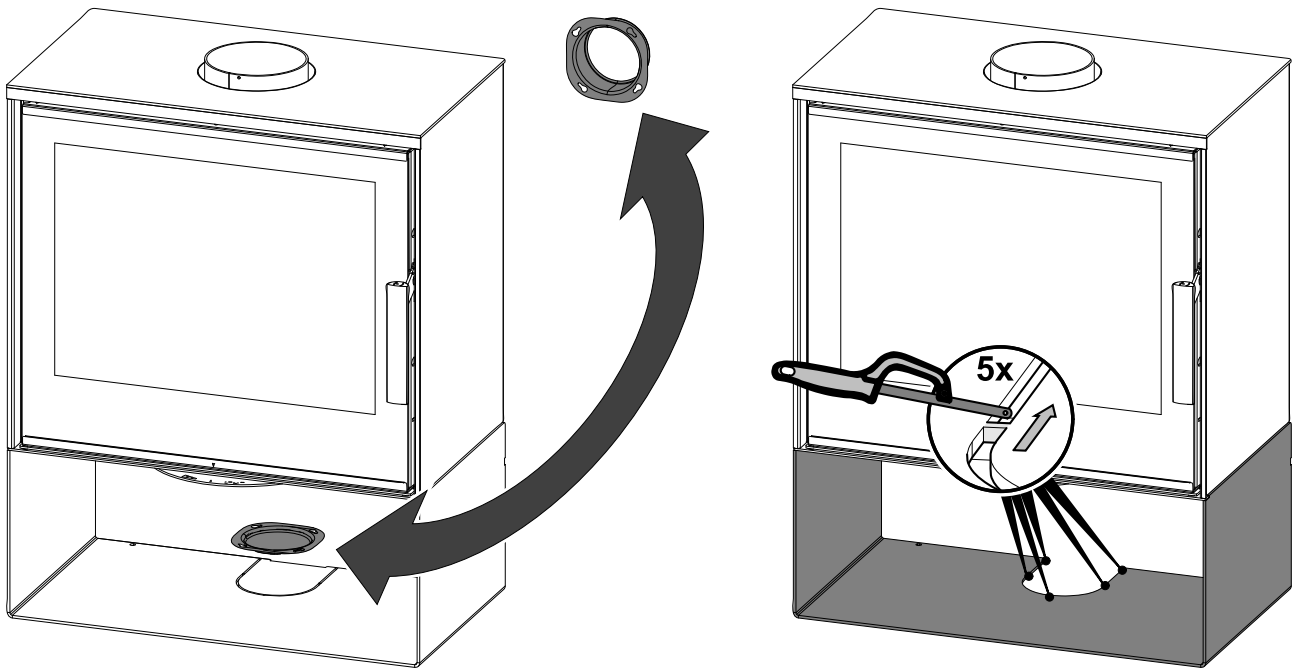
GB

# 7. Conversion of the external air input



1

2



Conversion of the external air input

GB



