

HAAS
+
SOHN

Levi

Equipment sheet
Fireplace insert

GB

0434715901400d

Introduction

We thank you very much for purchasing our product!

The description of the heating device will inform you in detail about the design, technical specification and operation of the heating device. We recommend you to acquaint yourselves closely with these data. In this way, you will avoid possible faults during the proper assembly and operation.

You will find detailed conditions of installation and operation in General Manual of Operation (included in the scope of the delivery).

Notes in the text

GB



Of utmost importance there are the notes entitled **WARNING**. The notes entitled **WARNING** advise you on **serious danger of damage to the heating device or of an injury**.



The note entitled **Notice** advises you on possible damage to your heating device.



The note entitled **Important** calls your attention to the information important for the operation of your heating device.



The note itself calls your attention to the information important for the operation of your heating device in general.

Contents

| | |
|---|---|
| 1. Technical data | 1 |
| 1.1. Suitable fuel, stoking amount of fuel | 1 |
| 2. Technical description | 2 |
| 3. List of spare parts | 3 |
| 3.1. Whole emplacement | 3 |
| 3.2. Detail A1 | 5 |
| 4. Easy control | 6 |
| 5. Change of the smoke neck | 7 |
| 6. Conversion of the external air input | 8 |
| 7. Installation of the fire protection set | 9 |

1. Technical data

| | Block wood | |
|---|-------------------------|-------------------------|
| | Nominal output | Partial output 50 % |
| Achievable heat output | 8,2 kW | 4,1 kW |
| Nominal heat output | 8 kW | |
| Testing standard | EN 13229 | |
| Energy efficiency | 80,1 % | 82 % |
| Average concentration of CO at 13% O ₂ | 0,078 % | 0,088 % |
| Average concentration of CO at 13% O ₂ | 977 mg/Nm ³ | 1097 mg/Nm ³ |
| Average concentration of dust at 13% O ₂ | 22,5 mg/Nm ³ | 28 mg/Nm ³ |
| Average concentration of NOx at 13% O ₂ | 98 mg/Nm ³ | 136 mg/Nm ³ |
| Average concentration of OGC at 13% O ₂ | 60,5 mg/Nm ³ | 33 mg/Nm ³ |
| Average concentration of CO at 0% O ₂ | 661 mg/MJ | 811 mg/MJ |
| Average concentration of dust at 0% O ₂ | 15,3 mg/MJ | 21 mg/MJ |
| Average concentration of NOx at 0% O ₂ | 66,5 mg/MJ | 101 mg/MJ |
| Average concentration of OGC at 0% O ₂ | 41 mg/MJ | 24 mg/MJ |
| Amount of combustion products at nominal output | 6,5 g/s | — |
| Temperature of combustion products in the smoke flue neck | 315 °C | — |
| Minimum draft of the chimney at nominal heat output | 12 Pa | 9 Pa |

1.1. Suitable fuel, stoking amount of fuel

| Fuel: | Max. stoking amount of fuel |
|---------------------------------|---|
| Block wood: | 2 - 3 logs (max. 2,5 kg) |
| Length of wood logs: | Max. 50 cm |
| Saw-dust briquettes (DIN51731): | 1 - 2 wooden briquettes (max. 2.2 kg) |
| Lignite briquette: | 2 - 3 brown-coal briquettes (max. 1.6 kg) |

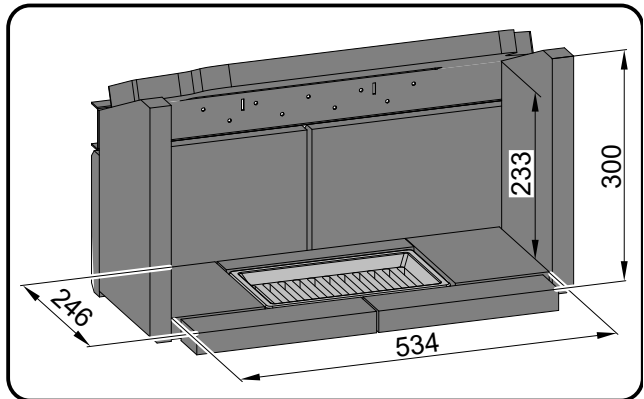
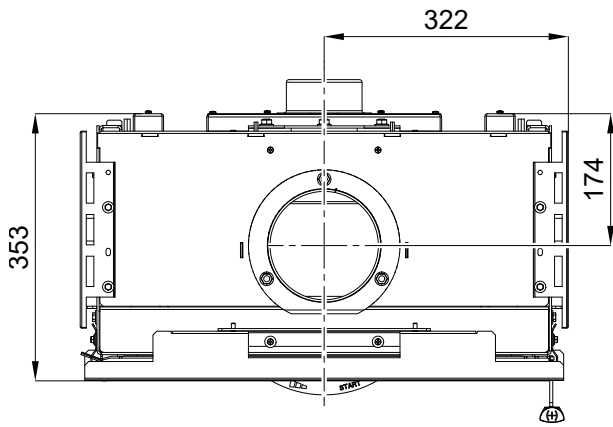
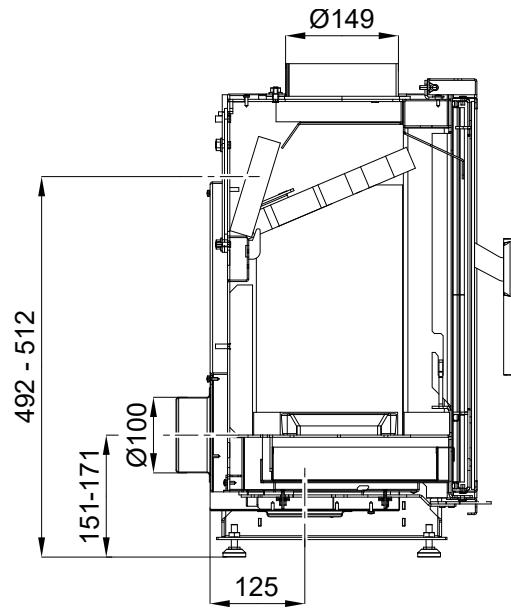
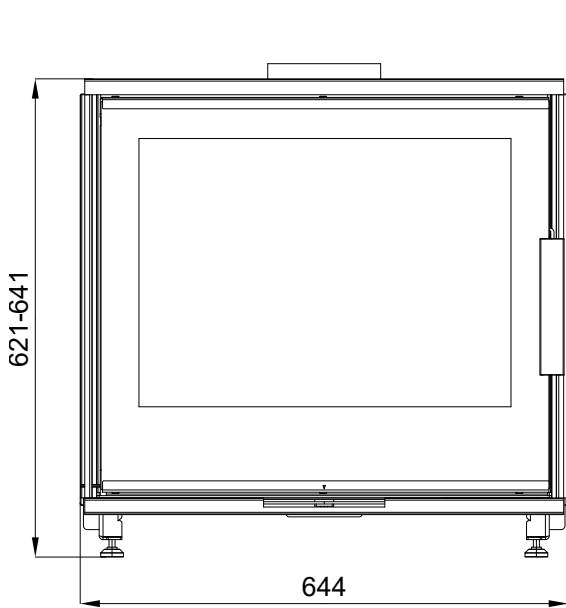
i Note

When heating with wood stock, employ solely the types of wood which have been stored for two years and their residual humidity is at most 17 %.

2. Technical description

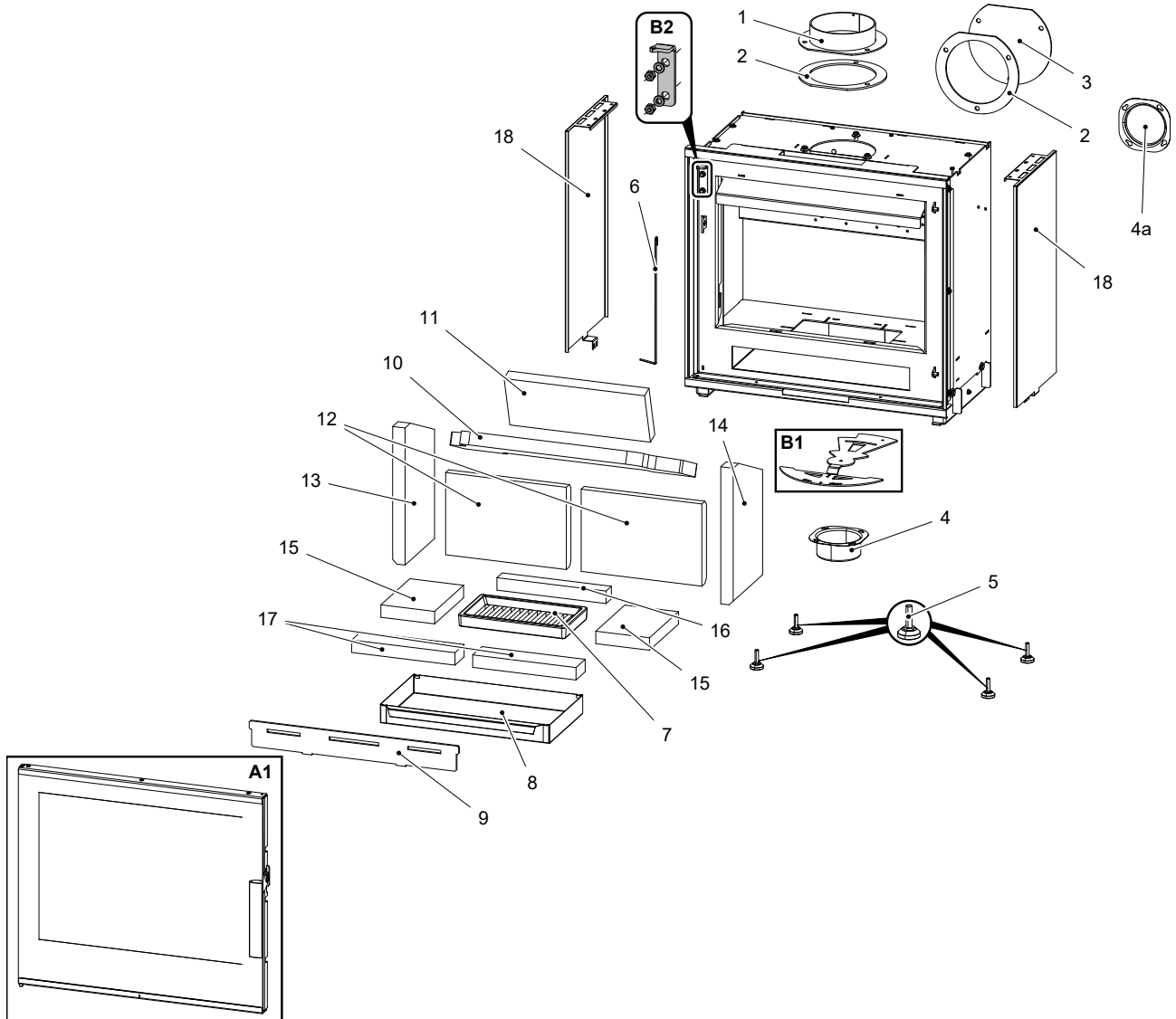
Technical description

GB



3. List of spare parts

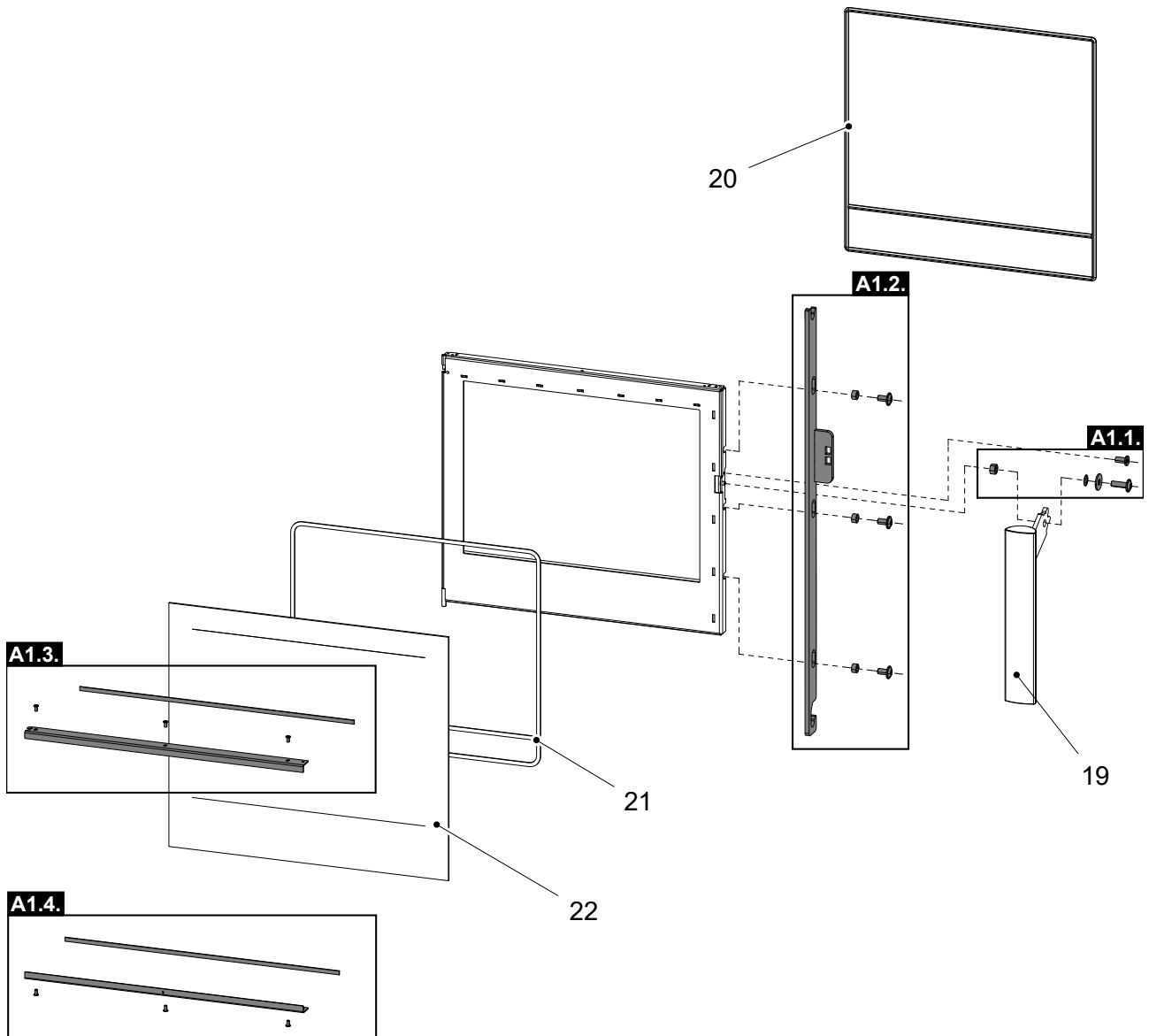
3.1. Whole emplacement



| Item | Name | Quantity | Number of goods |
|--------------------------|-------------------------------------|----------|-----------------|
| Whole emplacement | | | |
| A1 | Fire-box door (complete)/black | 1 piece | 0434715215300 |
| B1 | Easycontrol — set | 1 piece | 0434715115023 |
| B2 | Fire-box door suspension (complete) | 1 piece | 0434715506124 |
| 1 | Smoke flue neck/black | 1 piece | 0434215005049 |
| 2 | Smoke flue sealing | 2 piece | 0429415005060 |
| 3 | Smoke flue blind flange/black | 1 piece | 0429415005048 |
| 4 | External air input (Ø100) | 1 piece | 0088500050008 |
| 4a | Blind flange | 1 piece | 0088500070005 |
| 5 | Stand | 4 piece | 0551908505005 |
| 6 | Door spring | 1 piece | 0434715005316 |

| | | | |
|-----------|----------------------------------|---------|---------------|
| 7 | Grate | 1 piece | 0020100130005 |
| 8 | Ashpan | 1 piece | 0434715005700 |
| 9 | Protection/black | 1 piece | 0434715015013 |
| 10 | Screen loose (560x240x30) | 1 piece | 0434715005510 |
| 11 | Screen loose — rear (340x130x30) | 1 piece | 0434715005507 |
| 12 | Brick 198x292x30 | 2 piece | 0434715005501 |
| 13 | Brick 330x193x30 | 1 piece | 0434715005503 |
| 14 | Brick 330x193x30 | 1 piece | 0434715005509 |
| 15 | Brick 130x190x30 | 2 piece | 0434715005504 |
| 16 | Brick 264x35x30 | 1 piece | 0434715005505 |
| 17 | Brick 253x60x30 | 2 piece | 0434715005506 |
| 18 | Barrier | 2 piece | 0434715205085 |

3.2. Detail A1



| Item | Name | Quantity | Number of goods |
|------------------|---------------------------------------|----------|-----------------|
| Detail A1 | | | |
| A1.1. | Handle connecting material — set | 1 piece | 0434715005012 |
| A1.2. | Closing mechanism drawbar — set/black | 1 piece | 0434715206325 |
| A1.3. | Upper glass holder — set/black | 1 piece | 0434715006311 |
| A1.4. | Lower glass holder — set/black | 1 piece | 0434715006310 |
| 19 | Fire-box door lever lock (complete) | 1 piece | 0434715006320 |
| 20 | Door sealing cord - 10 mm (2560 mm) | 1 piece | 0040300100005 |
| 21 | Glass sealing cord - 6 mm (2460 mm) | 1 piece | 0040406000006 |
| 22 | Refractory glass (512x591) | 1 piece | 0434715005301 |

4. Easy control

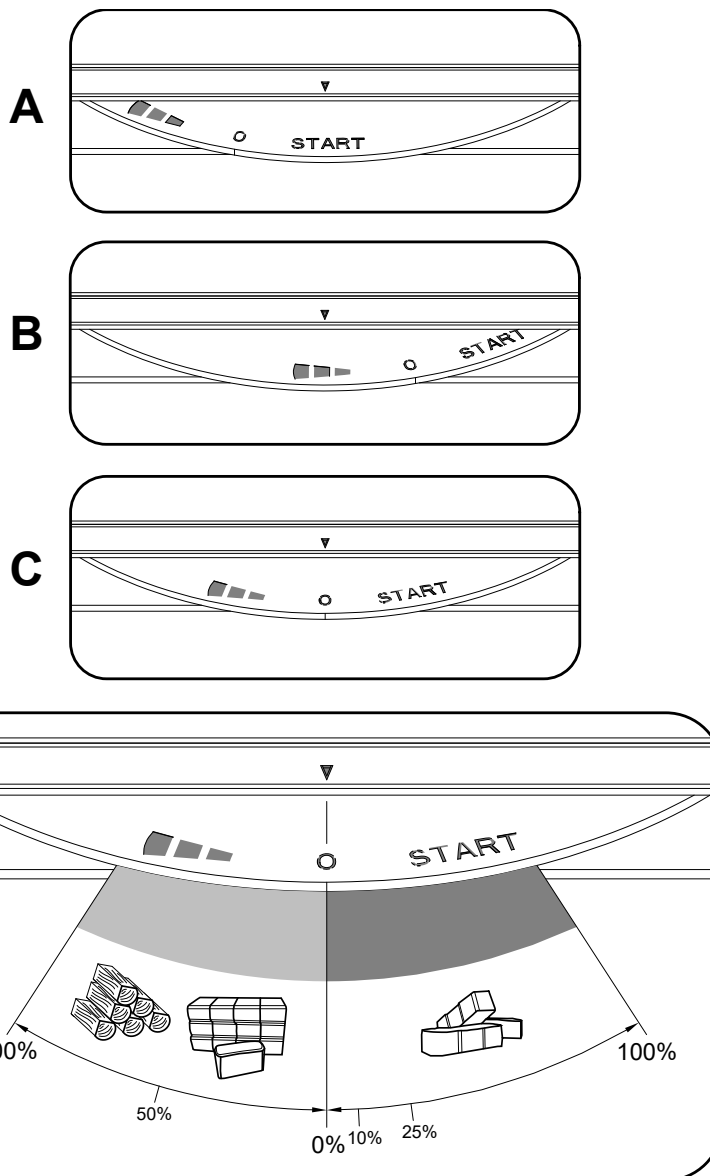
Control of all three air inputs - primary, secondary, tertiary - by means of one sole controller.

1. The controller is in the position intended for ignition (fig. A). All three air inputs are open (primary, secondary, tertiary).
2. The controller is in the position intended for burning of the stove after ignition (fig. B).
3. The controller is in the position designed to close air inputs (Fig. C). No input is open (primary, secondary, tertiary). This position is used only when the stove is out of operation, after finishing the heating process.

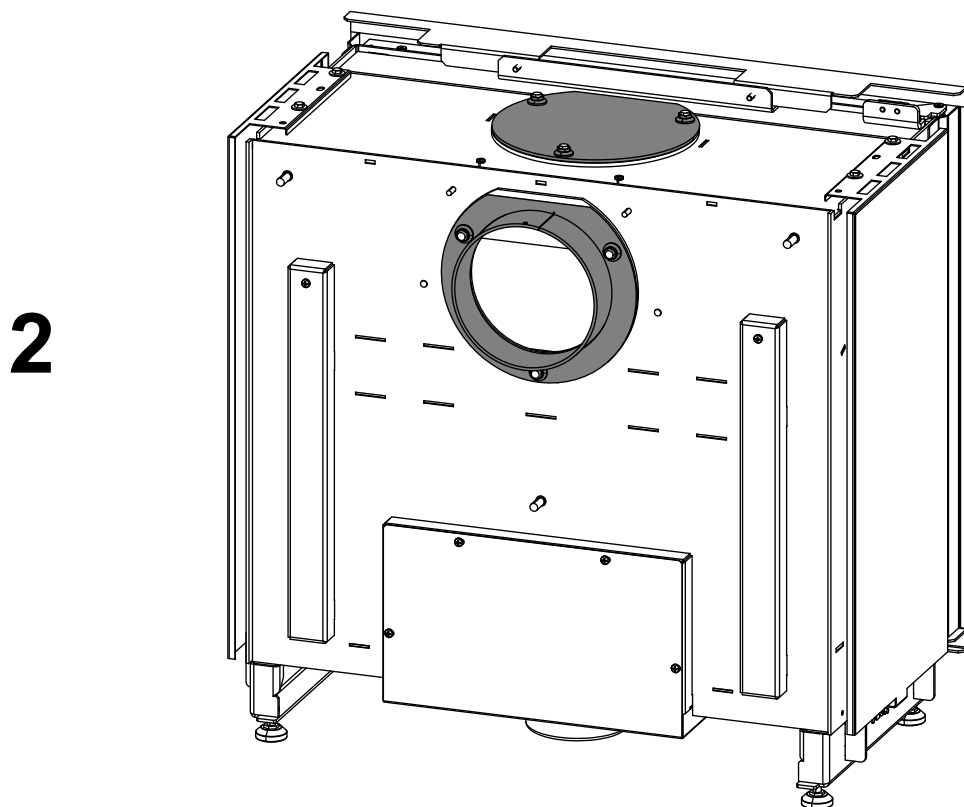
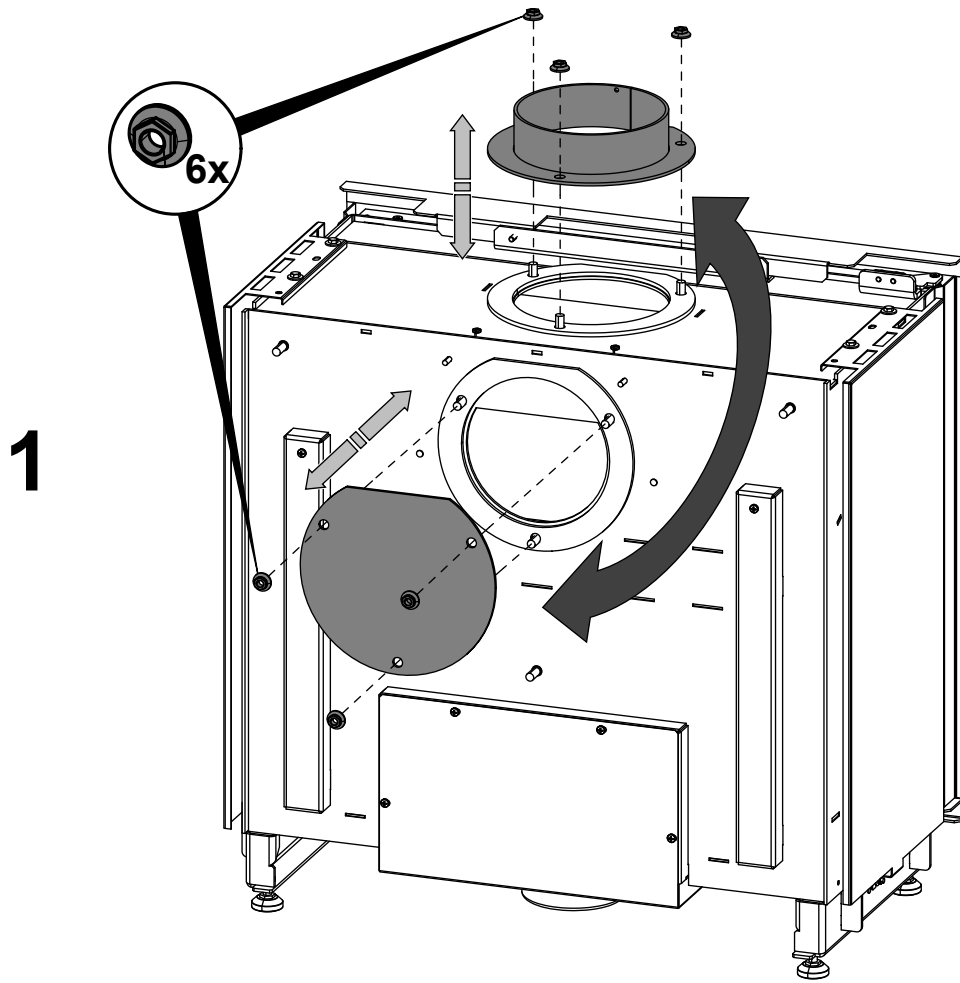


WARNING

Air inputs may not be closed during the heating operation (Fig. C)! In an extreme case, there can occur an explosion in the stove followed by breaking of glass, blowing up of cinders across the room and breaking out of the fire.

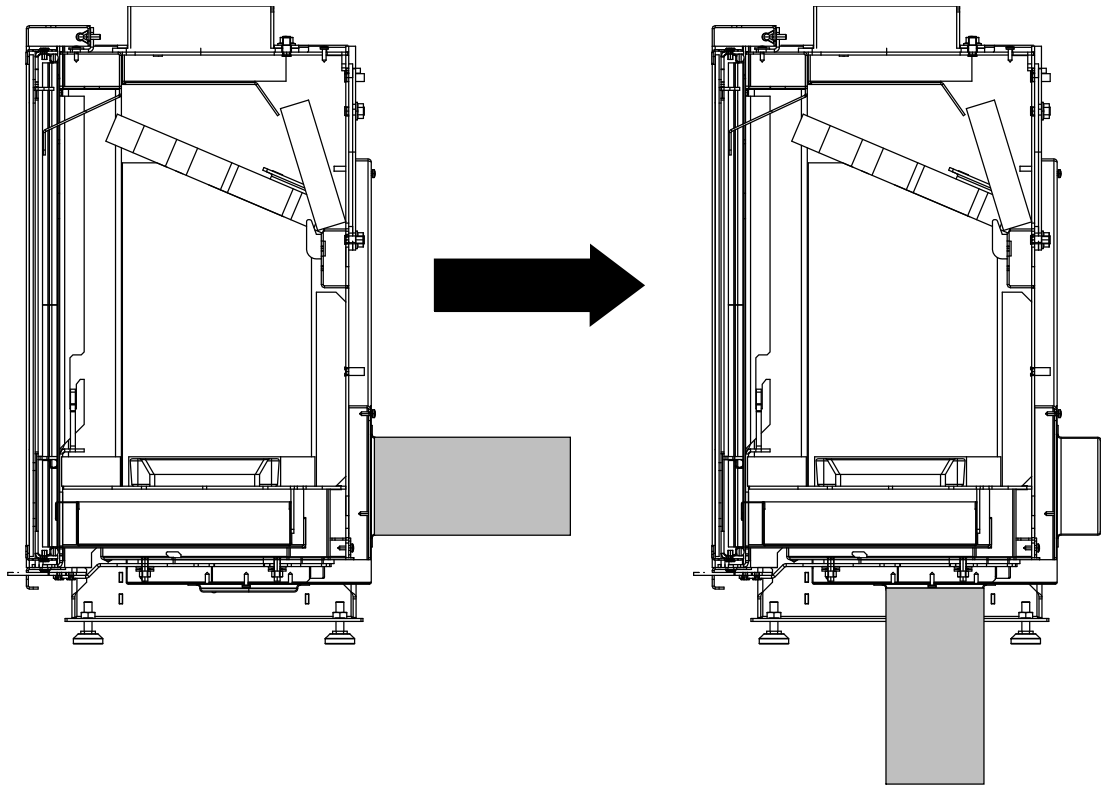


5. Change of the smoke neck

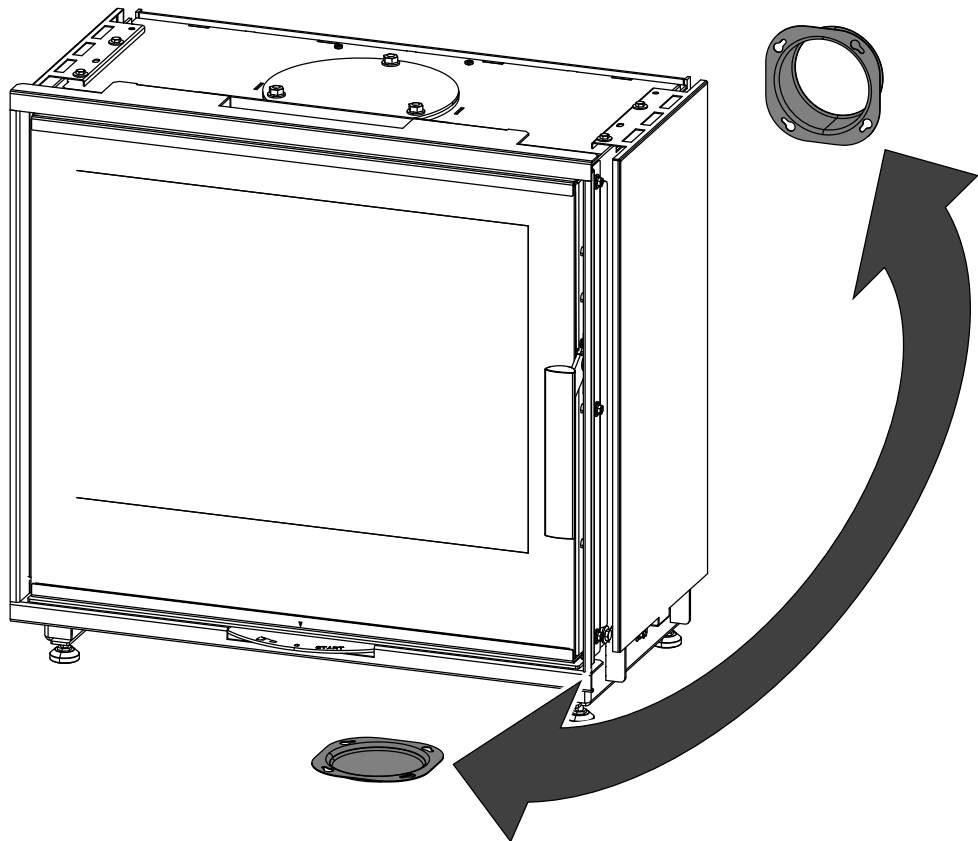


6. Conversion of the external air input

Conversion of the external air input



GB



7. Installation of the fire protection set



Note

The fire protection set is not included in the delivery (special accessories). In case of installing fire protection, it is necessary to change the external air input to the bottom (see chapter 6).

