

HAAAS
+
SOHN

Valga/Kolga/Torva/Polva

Equipment sheet
Fireplace stove

GB

Introduction

We thank you very much for purchasing our product!

The description of the heating device will inform you in detail about the design, technical specification and operation of the heating device. We recommend you to acquaint yourselves closely with these data. In this way, you will avoid possible faults during the proper assembly and operation.

You will find detailed conditions of installation and operation in General Manual of Operation (included in the scope of the delivery).

Notes in the text

GB



Of utmost importance there are the notes entitled **WARNING**. The notes entitled **WARNING** advise you on **serious danger of damage to the heating device or of an injury**.



The note entitled **Notice** advises you on possible damage to your heating device.



The note entitled **Important** calls your attention to the information important for the operation of your heating device.



The note itself calls your attention to the information important for the operation of your heating device in general.

Contents

1. Technical data	1
1.1. Suitable fuel, stoking amount of fuel	1
2. Technical description	2
2.1. Valga	2
2.2. Kolga	3
2.3. Torva	4
2.4. Polva	5
3. Easy control	6
4. List of spare parts	7
4.1. Overall scheme of the model	7
4.2. Plinths	9
4.3. Detail A1	10
5. Change of the smoke neck	11

1. Technical data

	Block wood	
	Nominal output	Partial output 50 %
Achievable heat output	8,2 kW	4,1 kW
Nominal heat output	8 kW	
Energy efficiency	80,1 %	82 %
Average concentration of CO at 13% O ₂	977 mg/Nm ³	1097 mg/Nm ³
Average concentration of dust at 13% O ₂	22,5 mg/Nm ³	28 mg/Nm ³
Average concentration of NOx at 13% O ₂	98 mg/Nm ³	136 mg/Nm ³
Average concentration of OGC at 13% O ₂	60,5 mg/Nm ³	33 mg/Nm ³
Average concentration of CO at 0% O ₂	661 mg/MJ	811 mg/MJ
Average concentration of dust at 0% O ₂	15,3 mg/MJ	21 mg/MJ
Average concentration of NOx at 0% O ₂	66,5 mg/MJ	101 mg/MJ
Average concentration of OGC at 0% O ₂	41 mg/MJ	24 mg/MJ
Amount of combustion products at nominal output	6,5 g/s	—
Temperature of combustion products in the smoke flue neck	315 °C	—
Minimum draft of the chimney at nominal heat output	12 Pa	9 Pa

1.1. Suitable fuel, stoking amount of fuel

Fuel:	Max. stoking amount of fuel
Block wood:	2 - 3 logs (max. 2,5 kg)
Length of wood logs:	Max. 50 cm
Saw-dust briquettes (DIN51731):	1 - 2 wooden briquettes (max. 2.2 kg)
Lignite briquette:	2 - 3 brown-coal briquettes (max. 1.6 kg)



Note

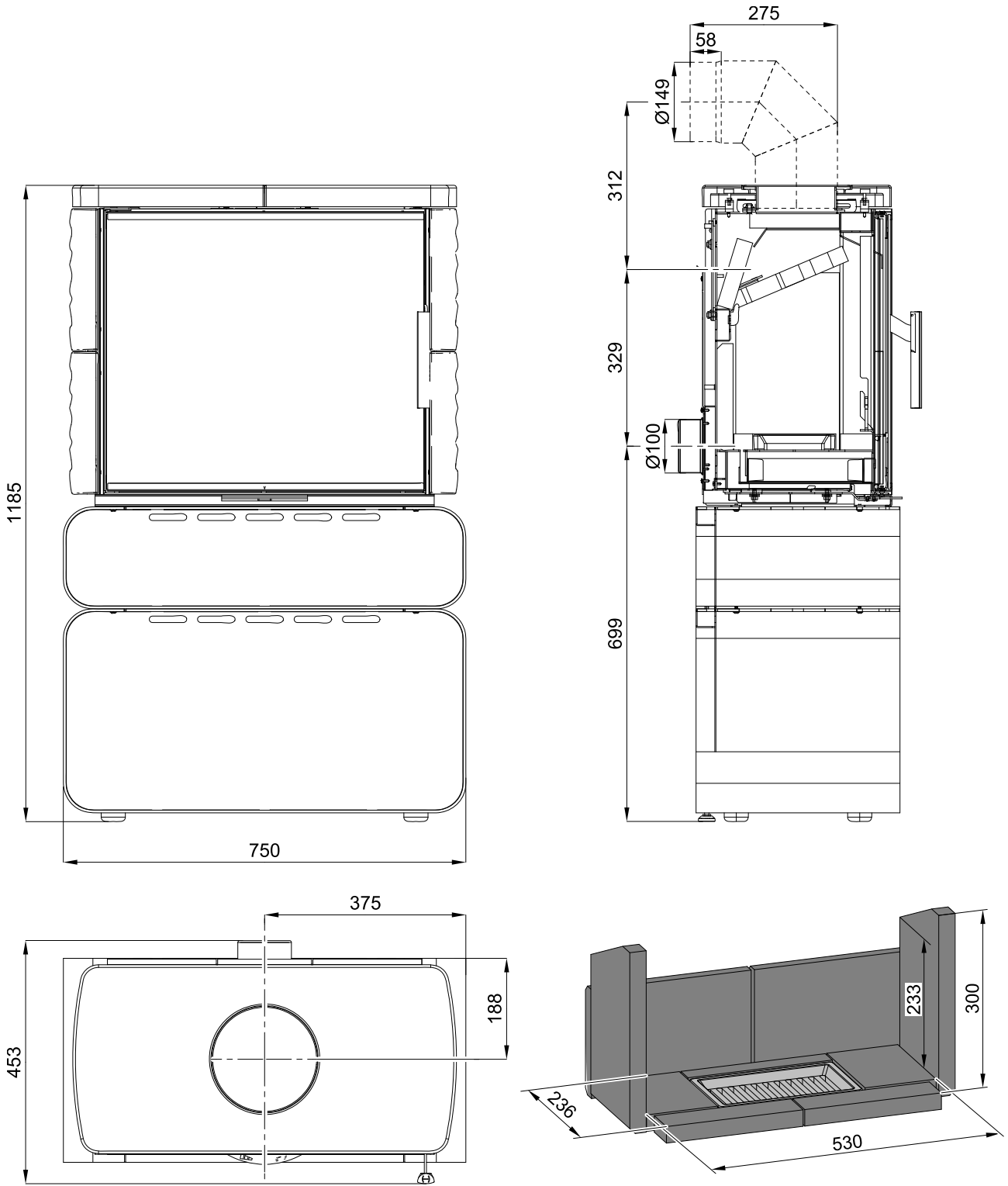
When heating with wood stock, employ solely the types of wood which have been stored for two years and their residual humidity is at most 17 %.

2. Technical description

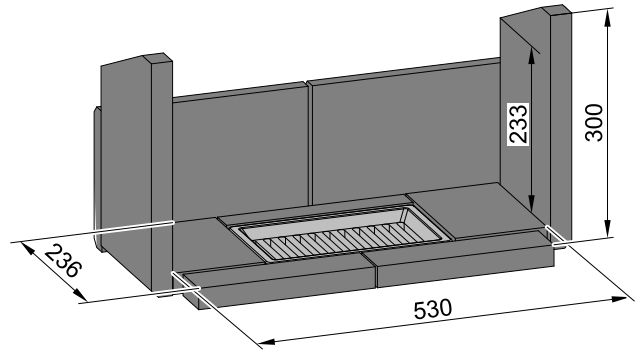
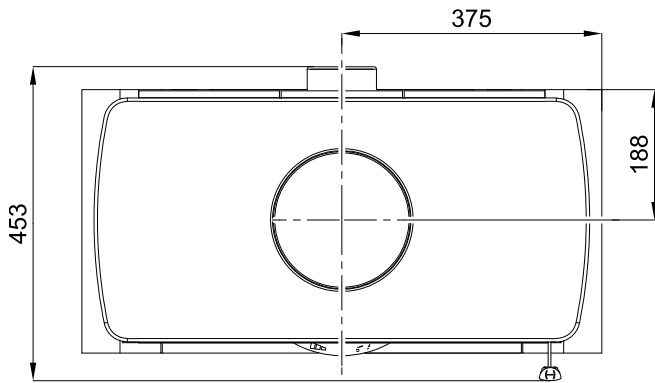
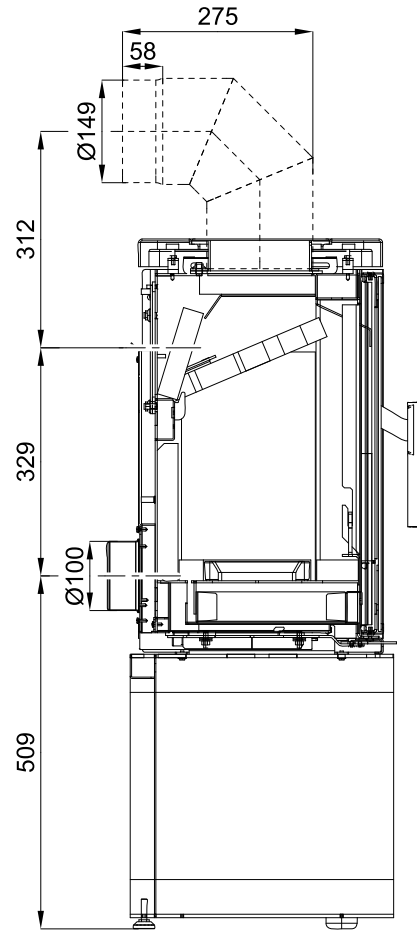
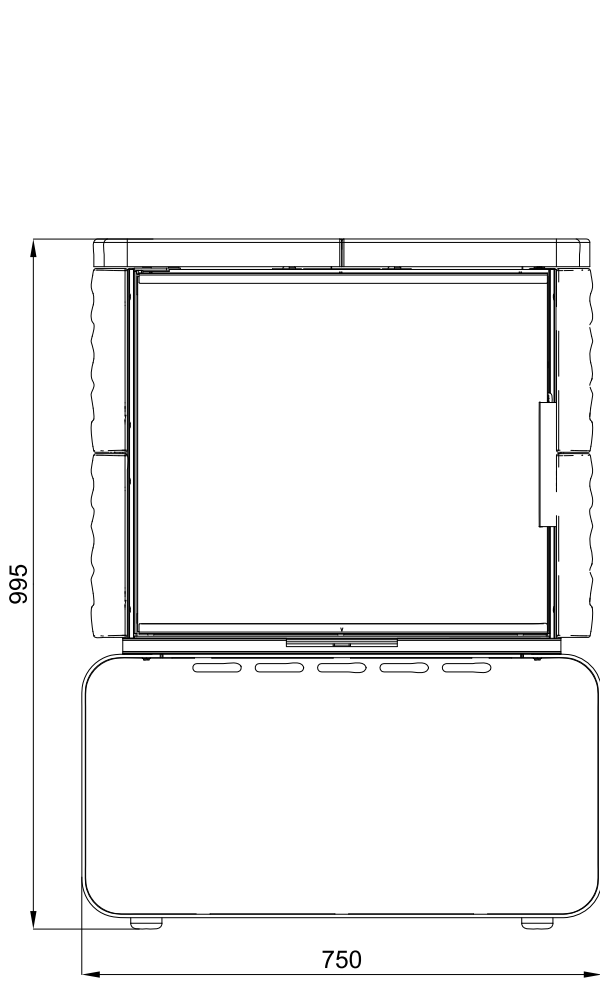
2.1. Valga

Technical description

GB



2.2. Kolga

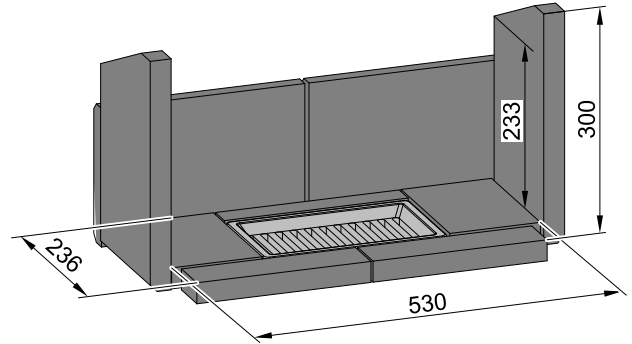
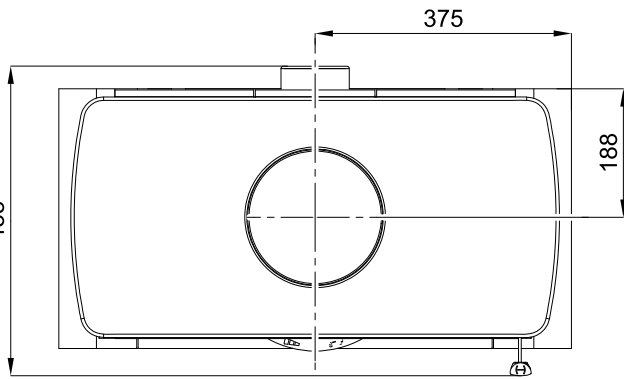
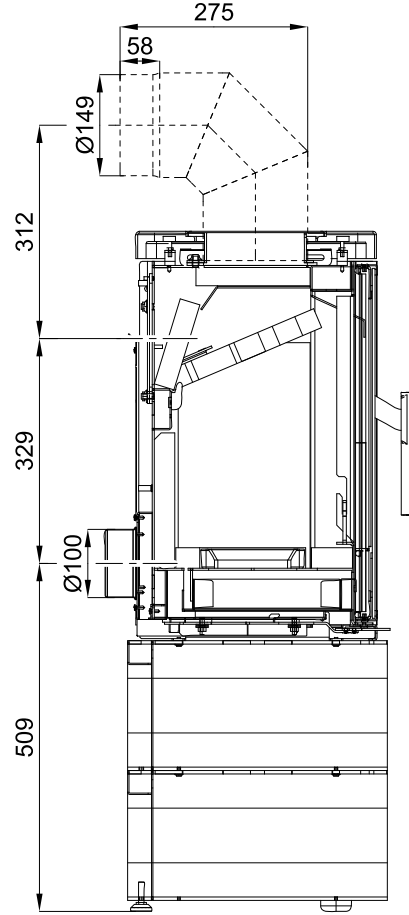
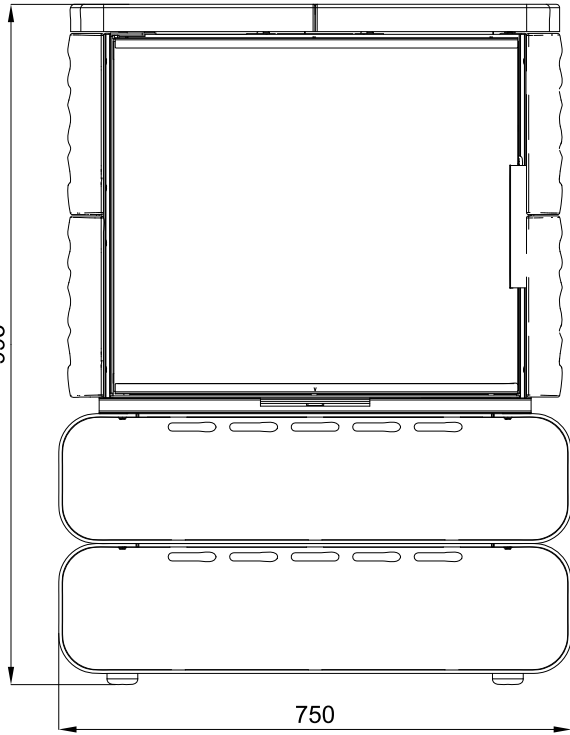


Technical description

GB

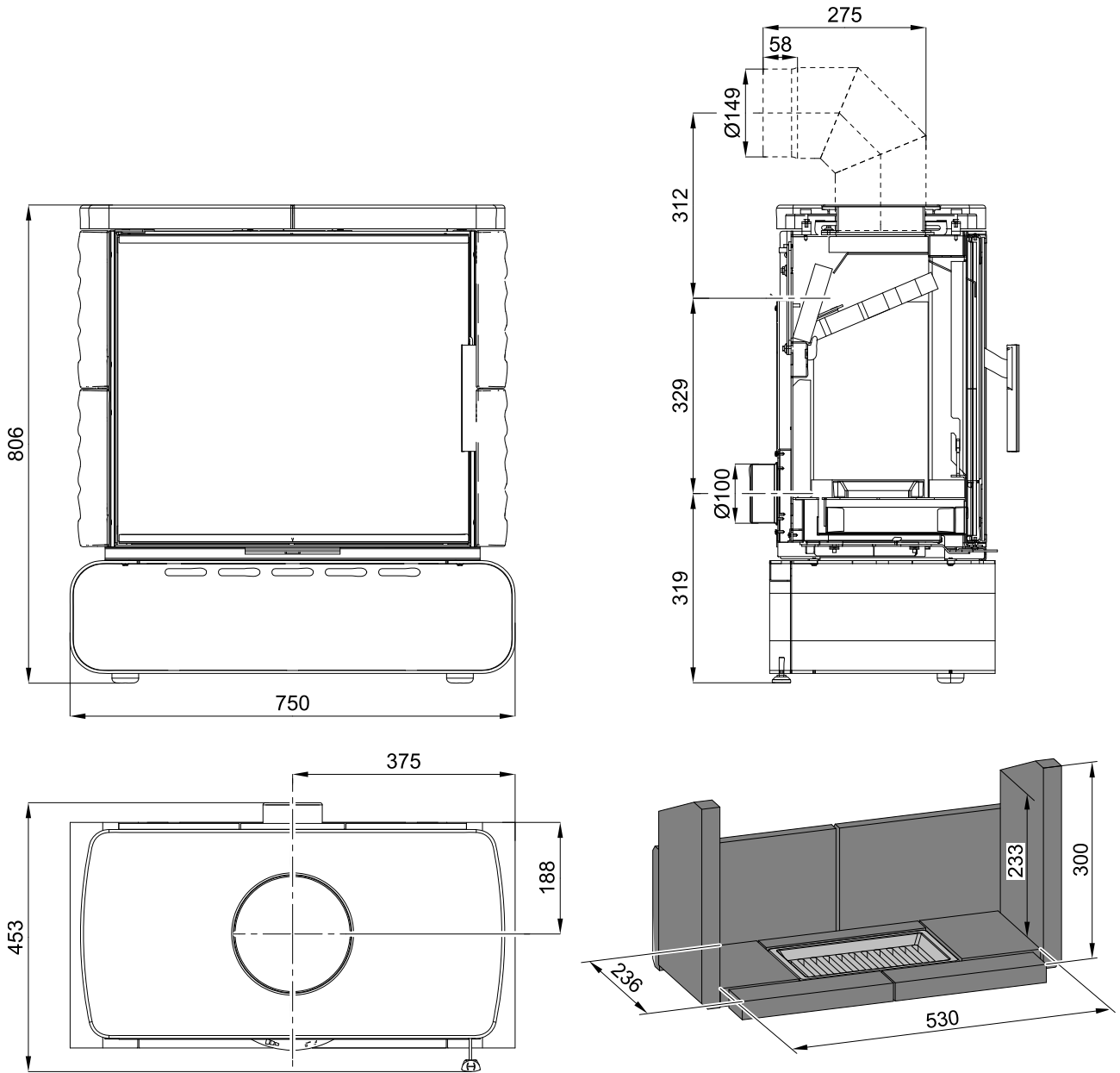
2.3. Torva

Technical description



GB

2.4. Polva



3. Easy control

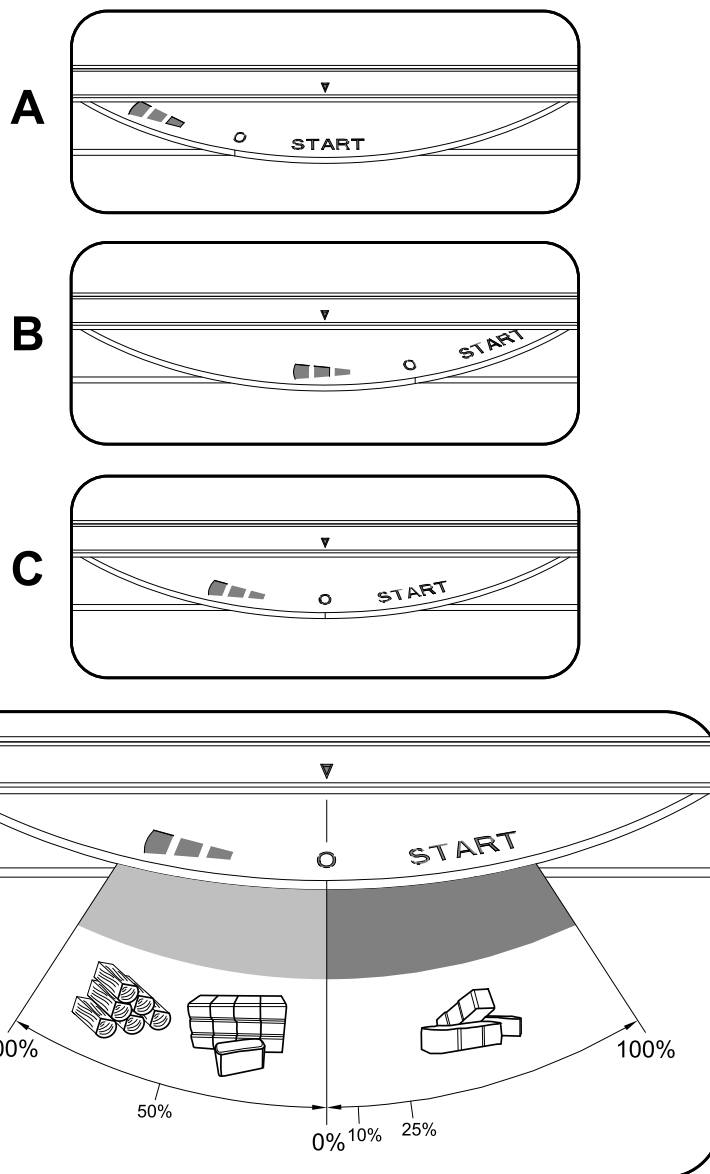
Control of all three air inputs - primary, secondary, tertiary - by means of one sole controller.

1. The controller is in the position intended for ignition (fig. A). All three air inputs are open (primary, secondary, tertiary).
2. The controller is in the position intended for burning of the stove after ignition (fig. B).
3. The controller is in the position designed to close air inputs (Fig. C). No input is open (primary, secondary, tertiary). This position is used only when the stove is out of operation, after finishing the heating process.



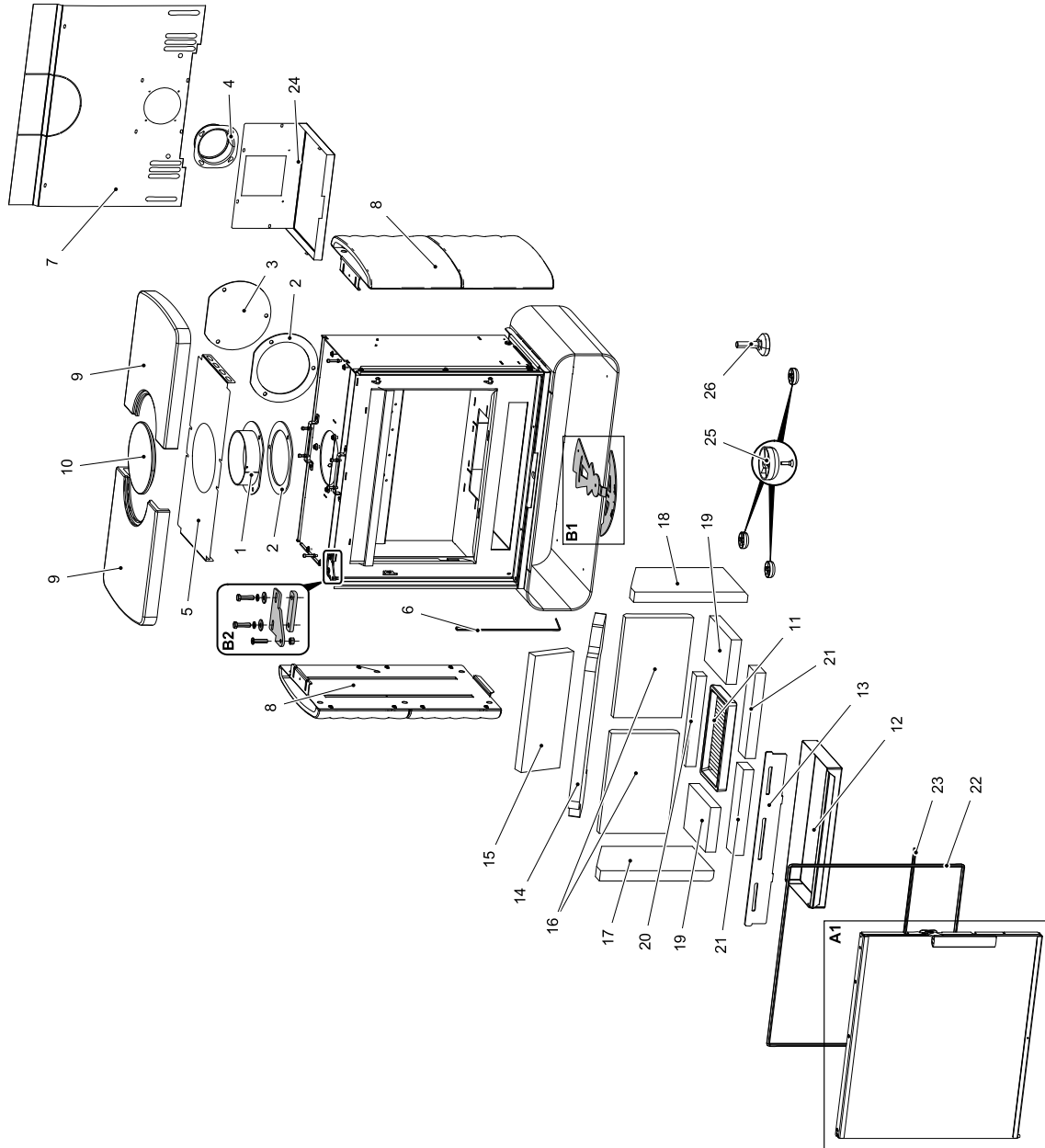
WARNING

Air inputs may not be closed during the heating operation (Fig. C)! In an extreme case, there can occur an explosion in the stove followed by breaking of glass, blowing up of cinders across the room and breaking out of the fire.



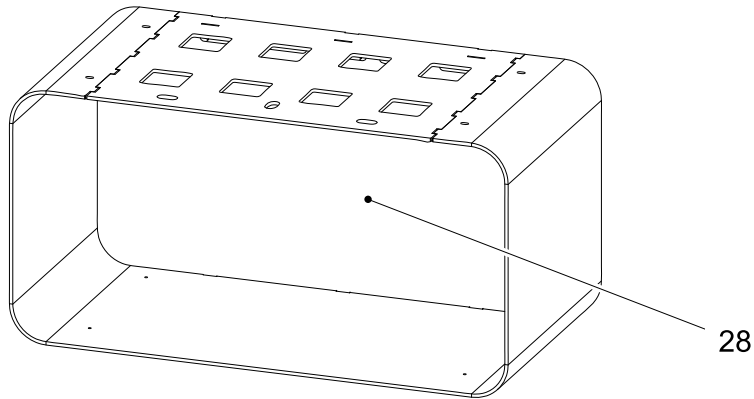
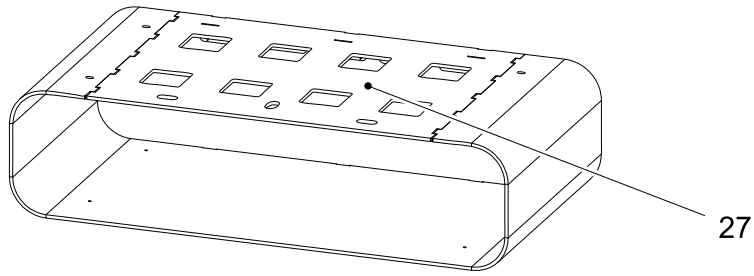
4. List of spare parts

4.1. Overall scheme of the model



Item	Name	Quantity	Number of goods
Overall scheme of the model			
A1	Fire-box door (complete)/anthracite	1 piece	0434715005300
B1	Easycontrol — set	1 piece	0434715015023
B2	Fire-box door suspension (complete)	1 piece	0434715505001
1	Smoke flue neck/anthracite	1 piece	0434215006049
2	Smoke flue sealing	2 piece	0429415005060
3	Smoke flue blind flange/anthracite	1 piece	0429415007048
4	External air input (Ø100)	1 piece	0088500050008
5	Upper shielding	1 piece	0434715005042
6	Door spring	1 piece	0434715005316
7	Rear cover	1 piece	0434715505040
8	Lateral lining/white	2 piece	0434715005035
9	Upper lining/white	2 piece	0434715005011
10	Upper blind flange/white	1 piece	0434715006009
11	Grate	1 piece	0020100135022
12	Ashpan	1 piece	0434715005700
13	Protection/anthracite	1 piece	0434715005013
14	Screen loose (560x240x30)	1 piece	0434715005510
15	Screen loose — rear (340x130x30)	1 piece	0434715005507
16	Brick 198x292x30	2 piece	0434715005501
17	Brick 330x193x30	1 piece	0434715005503
18	Brick 330x193x30	1 piece	0434715005509
19	Brick 130x190x30	2 piece	0434715005504
20	Brick 264x35x30	1 piece	0434715005505
21	Brick 250x60x30	2 piece	0434715005506
22	Door sealing cord - 10 mm (2050 mm)	1 piece	0040300100005
23	Door sealing cord - 10 mm (510 mm)	1 piece	0040300100005
24	Shading	1 piece	0434715505027
25	Stand	3 piece	0089501090005
26	Stand-adjusting	1 piece	0551908506005

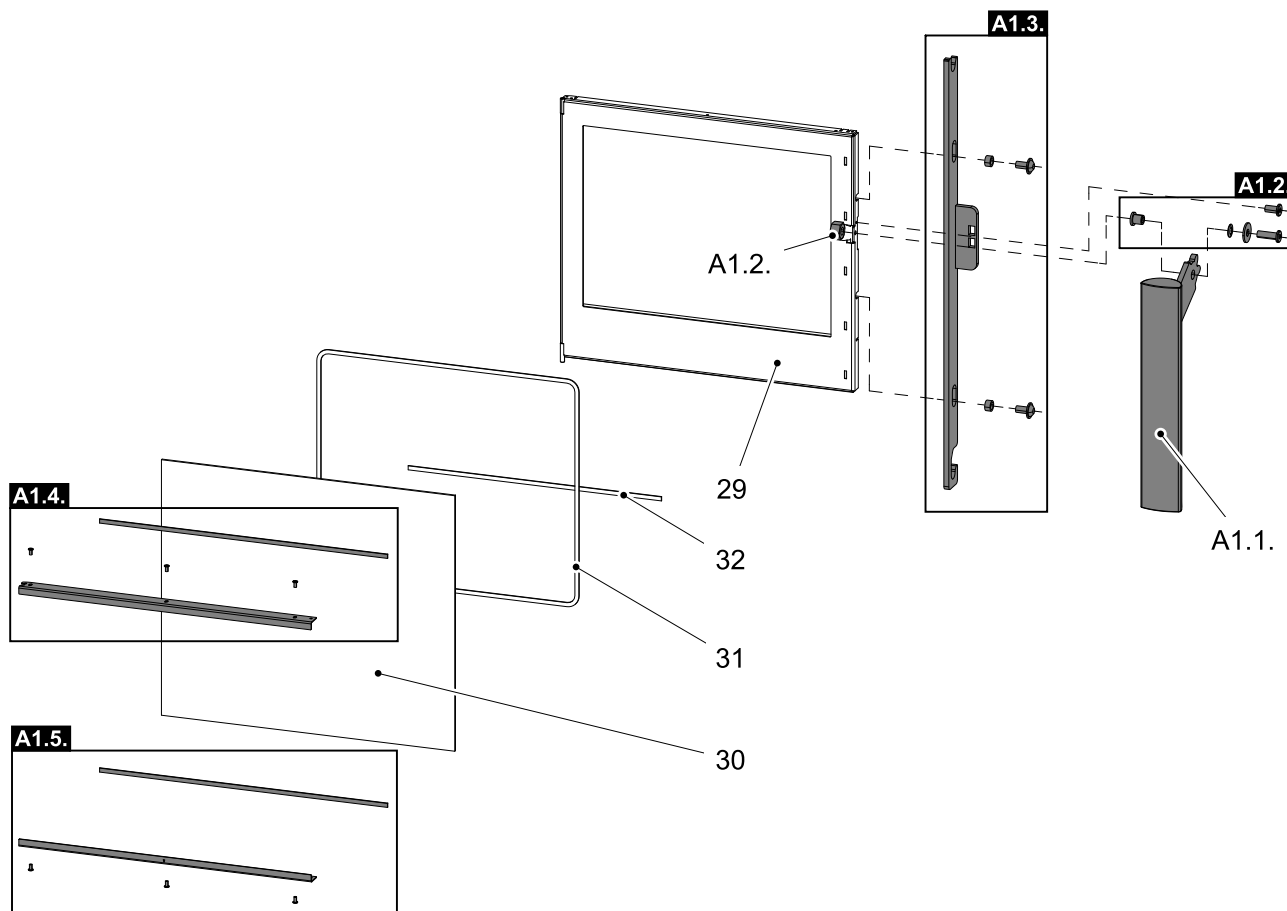
4.2. Plinths



Item	Name	Quantity	Number of goods
Valga			
27	Plinth	1 piece	0434715025600
28	Plinth	1 piece	0434715035600
Kolga			
28	Plinth	1 piece	0434715035600
Torva			
27	Plinth	2 piece	0434715025600
Polva			
27	Plinth	1 piece	0434715025600

4.3. Detail A1

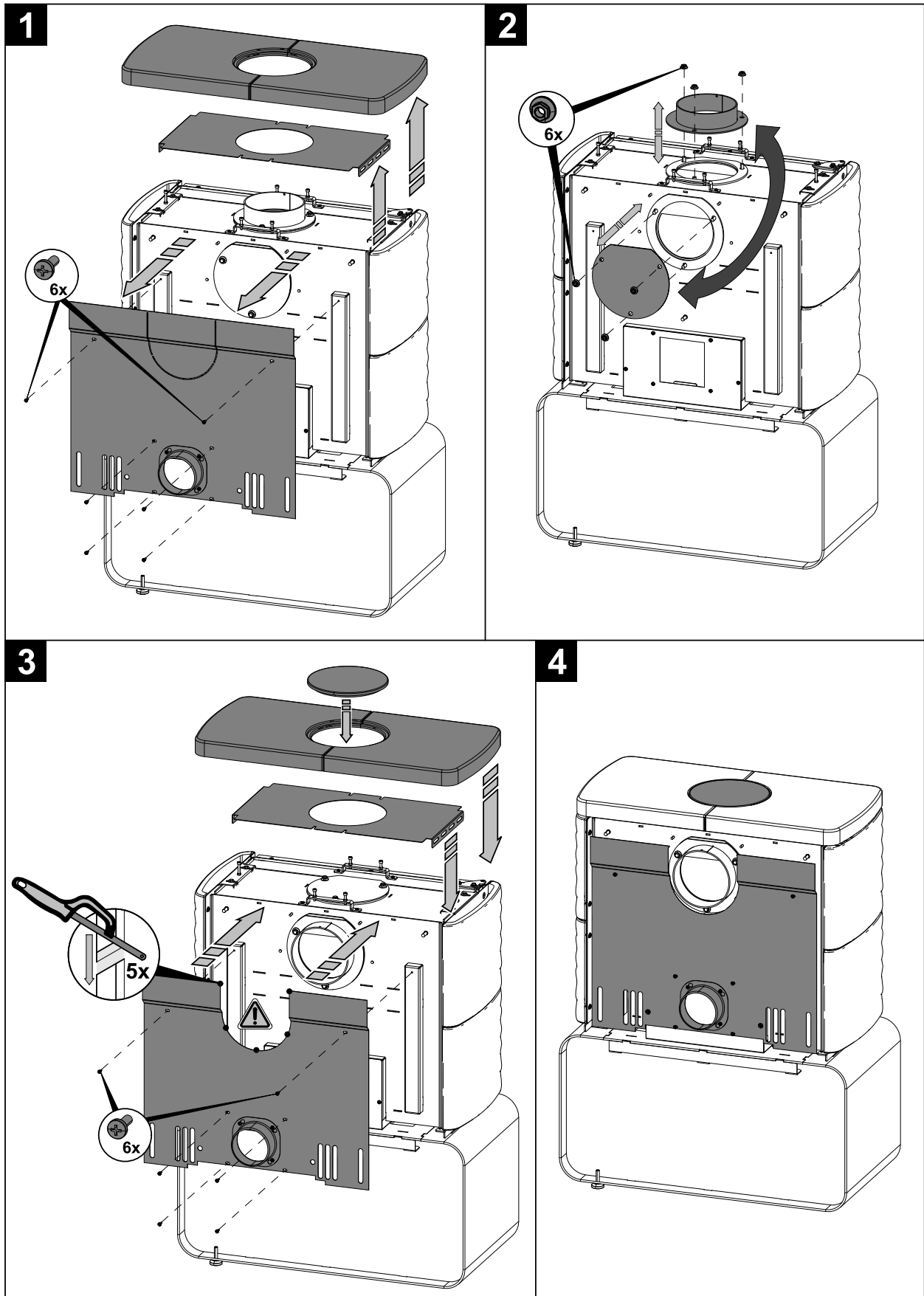
List of spare parts



Item	Name	Quantity	Number of goods
Detail A1			
A1.1.	Fire-box door lever lock (complete)	1 piece	0434715006320
A1.2.	Handle connecting material — set	1 piece	0434715005012
A1.3.	Closing mechanism drawbar — set/anthracite	1 piece	0434715005325
A1.4.	Upper glass holder — set/anthracite	1 piece	0434715005311
A1.5.	Lower glass holder — set/anthracite	1 piece	0434715005310
29	Fire-box door (welded part)/anthracite	1 piece	0434715005200
30	Refractory glass (512x591)	1 piece	0434715005301
31	Glass sealing cord - 6 mm (1950 mm)	1 piece	0040406000005
32	Glass sealing cord - 6 mm (510 mm)	1 piece	0040406000005

GB

5. Change of the smoke neck



Change of the smoke neck

GB