

HAAS  
+  
SOHN

**Uka**

---

**Equipment sheet**  
Fireplace stove

---

**GB**

**0434815101400a**

# Introduction

**We thank you very much for purchasing our product!**

The description of the heating device will inform you in detail about the design, technical specification and operation of the heating device. We recommend you to acquaint yourselves closely with these data. In this way, you will avoid possible faults during the proper assembly and operation.

**You will find** detailed conditions of installation and operation in General Manual of Operation (included in the scope of the delivery).

## Notes in the text

GB



Of utmost importance there are the notes entitled **WARNING**. The notes entitled **WARNING** advise you on **serious danger of damage to the heating device or of an injury**.



The note entitled **Notice** advises you on possible damage to your heating device.



The note entitled **Important** calls your attention to the information important for the operation of your heating device.



The note itself calls your attention to the information important for the operation of your heating device in general.

# Contents

<b>1. Technical data</b> .....	1
1.1. Suitable fuel, stoking amount of fuel .....	1
<b>2. Adjustment of the controller</b> .....	2
<b>3. Technical description</b> .....	3
<b>4. List of spare parts</b> .....	4
4.1. Overall scheme of the model .....	4
4.2. Detail A1 .....	5
4.3. Detail A2 .....	6
<b>5. Change of the smoke neck</b> .....	7
<b>6. Installation of alignment screws</b> .....	8
<b>7. Included in the scope of delivery</b> .....	9
<b>8. Instalation of air input modul</b> .....	10



# 1. Technical data

	Block wood	
Achievable heat output	6,2 kW	
Nominal heat output	6 kW	
Energy efficiency	76,7 %	
Average concentration of CO at 13% O <sub>2</sub>	971 mg/Nm <sup>3</sup>	654 mg/MJ
Average concentration of dust at 13% O <sub>2</sub>	39 mg/Nm <sup>3</sup>	26 mg/MJ
Average concentration of NOx at 13% O <sub>2</sub>	138 mg/Nm <sup>3</sup>	93 mg/MJ
Average concentration of OGC at 13% O <sub>2</sub>	63 mg/Nm <sup>3</sup>	43 mg/MJ
Three values of combustion products (three specific output parameters of chimneys)		
Amount of combustion products at nominal output	4,6 g/s	
Temperature of combustion products in the smoke flue neck	376 °C	
Minimum draft of the chimney at nominal heat output	12 Pa	

## 1.1. Suitable fuel, stoking amount of fuel

Fuel:	Max. stoking amount of fuel
Block wood:	1 - 2 logs (max. 1,8 kg)
Length of wood logs:	Max. 30 cm
Saw-dust briquettes (DIN51731):	—
Lignite briquette:	—



### Note

When heating with wood stock, employ solely the types of wood which have been stored for two years and their residual humidity is at most 17 %.

## 2. Adjustment of the controller

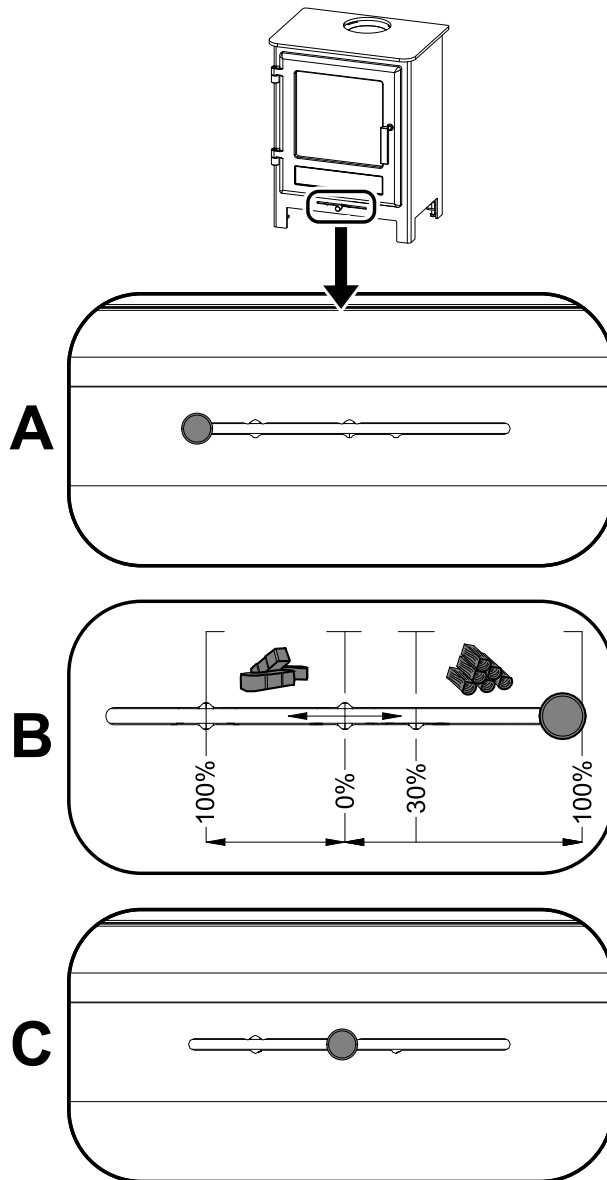
For the control of air inputs - the primary, the secondary one – there serves one controller only.

1. Controller in the position intended for lighting the stove (fig. A). All the air inputs are open (the primary and secondary ones).
2. Adjustment of the controller in the mode of heating with wood and lignite briquettes (fig. B).
3. Controller in the position for closing the air inputs (fig. C). No input (primary, secondary) is opened. This position is employed only with the stove out of operation, after finishing the heating process.

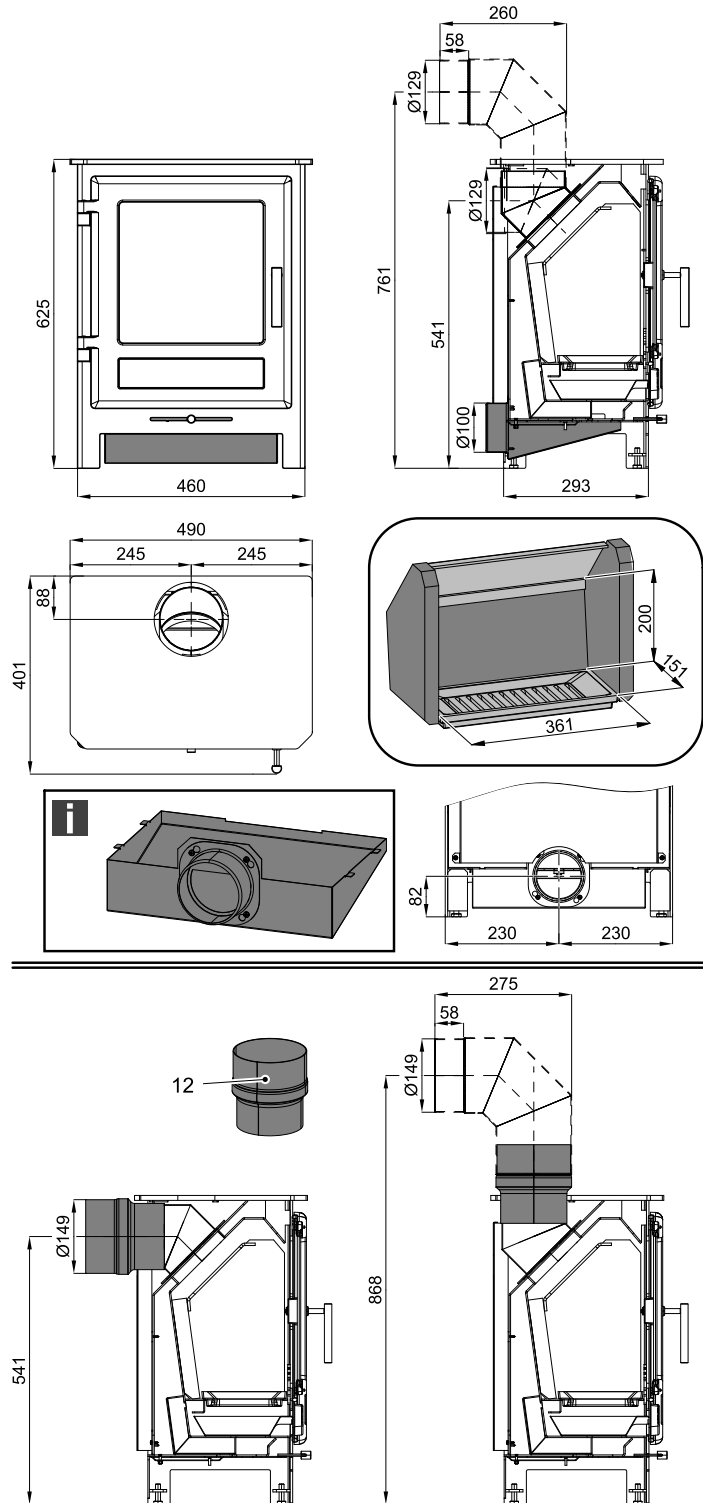


### WARNING

During the heating process, the air inputs must not come to be closed (fig. C)! In extreme cases, an explosion can be produced in the stove, with subsequent chipping of the glass, scattering of embers in the room, and a fire as a consequence.



# 3. Technical description



**Note**

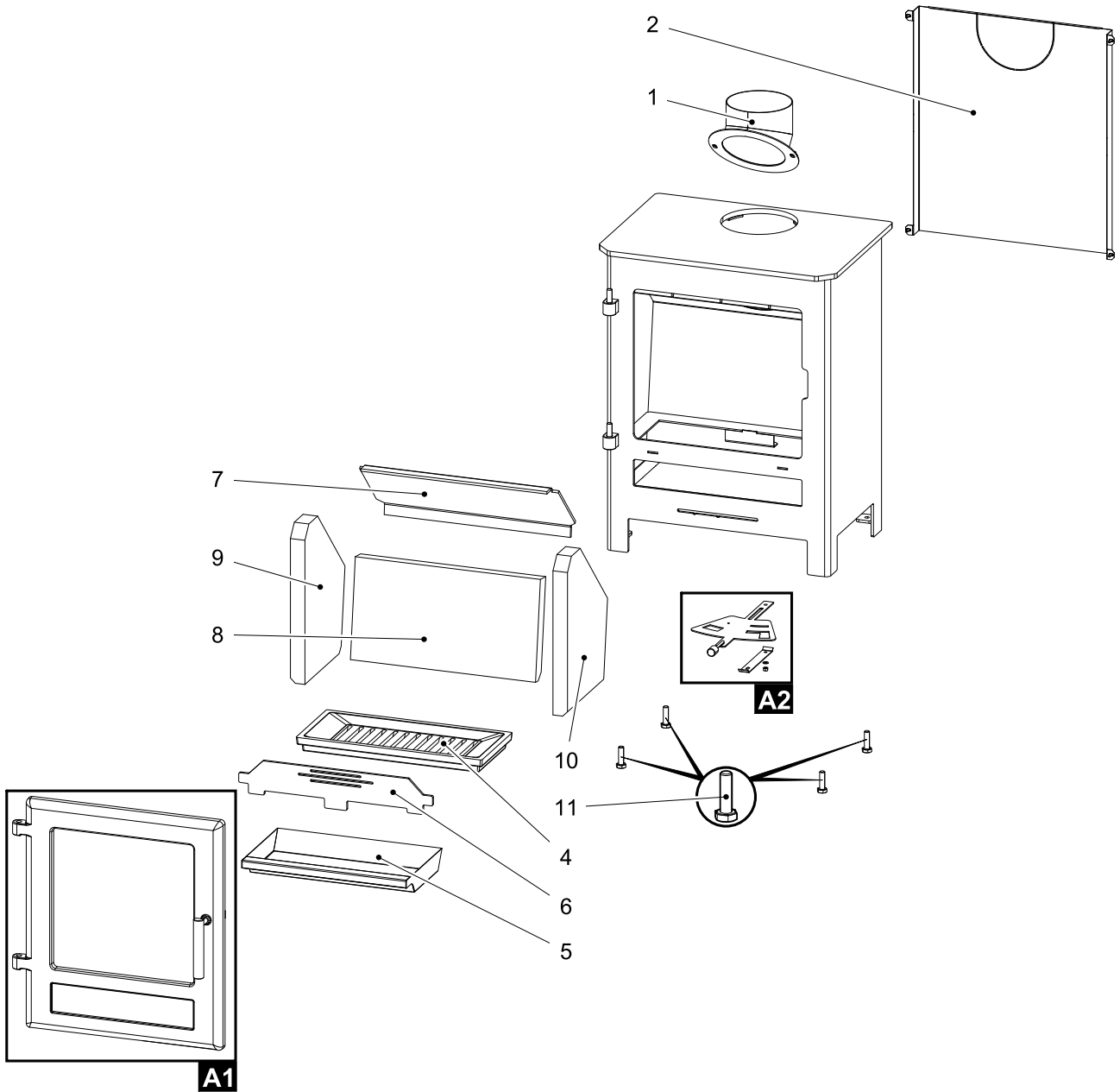
Not included in the scope of the delivery (Chapter 8).  
Reduction 130/150 (position 12) is delivered as optional accessory.

# 4. List of spare parts

## 4.1. Overall scheme of the model

List of spare parts

GB

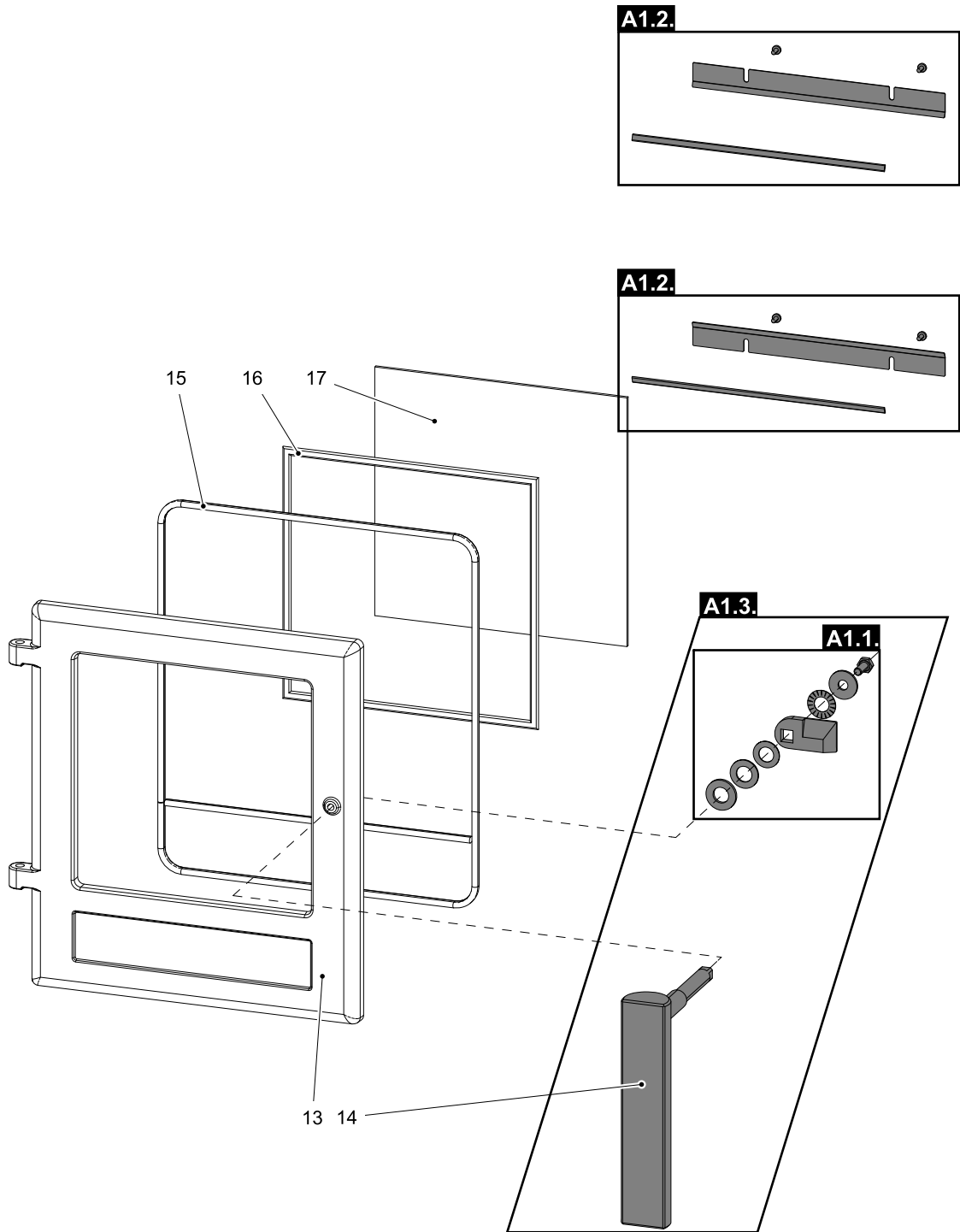


Item	Name	Quantity	Number of goods
<b>Overall scheme of the model</b>			
<b>A1</b>	Fire-box door (complete)/black	1 piece	0434815005300
<b>A2</b>	Sliding valve (complete)/black	1 piece	0434815105002
<b>1</b>	Smoke flue neck/black	1 piece	0434815005400
<b>2</b>	Rear cover	1 piece	0434815005050
<b>3</b>	Upper blind flange/black (page 7)	1 piece	0434815005060
<b>4</b>	Grate/black	1 piece	0434815005040
<b>5</b>	Ashpan	1 piece	0434815005045
<b>6</b>	Protection/black	1 piece	0434815005035



7	Screen loose/black (5x410x202,7)	1 piece	0434815005030
8	Brick 204x382x30	1 piece	0434815005503
9	Brick 322x220x30	1 piece	0434815005501
10	Brick 322x220x30	1 piece	0434815005502
11	Bolt M10x35	4 piece	0030001000355
12	Reduction 130/150/black (page 3)	1 piece	0434815005450

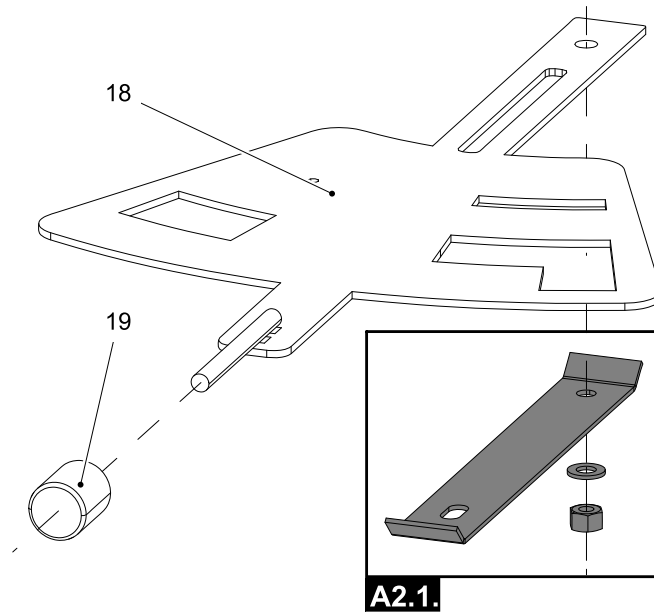
## 4.2. Detail A1



Item	Name	Quantity	Number of goods
Detail A1			

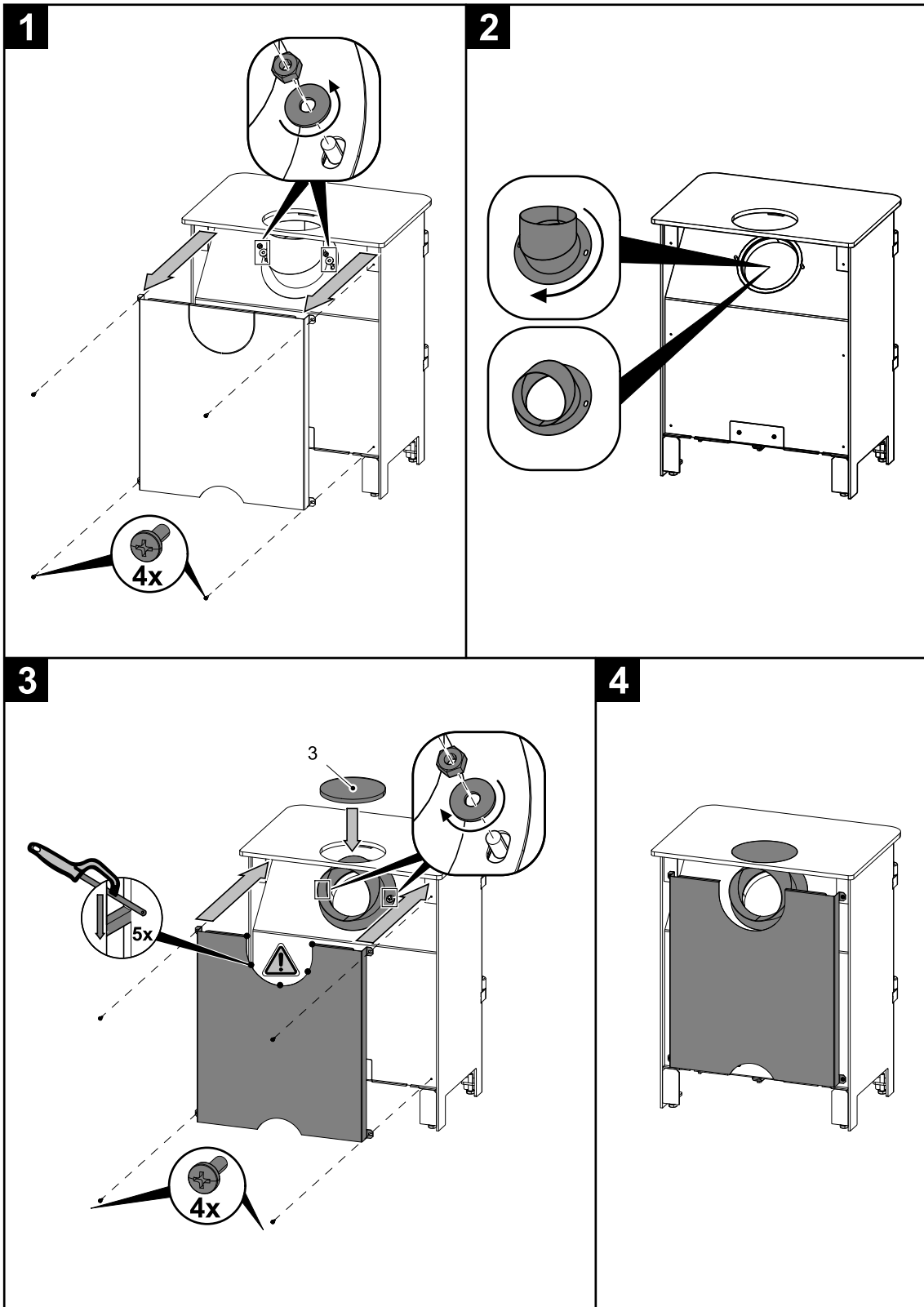
<b>A1.1.</b>	Handle connecting material/black — set	1 piece	0434815005011
<b>A1.2.</b>	Glass holder — set/black	1 piece	0434815005012
<b>A1.3.</b>	Fire-box door lever lock + handle connecting material — set	1 piece	0434815007310
<b>13</b>	Fire-box door/black	1 piece	0434815005200
<b>14</b>	Fire-box door lever lock/black	1 piece	0434815005310
<b>15</b>	Door sealing cord - 11 mm	2020 mm	0040300110005
<b>16</b>	Glass sealing cord - 10x4 mm	1230 mm	0040210040005
<b>17</b>	Refractory glass (312x306)	1 piece	0434815005320

### 4.3. Detail A2



Item	Name	Quantity	Number of goods
<b>Detail A2</b>			
<b>A2.1.</b>	Spring — set/black	1 piece	0434815005023
<b>18</b>	Sliding valve/black	1 piece	0434815105020
<b>19</b>	Controller	1 piece	0429415006625

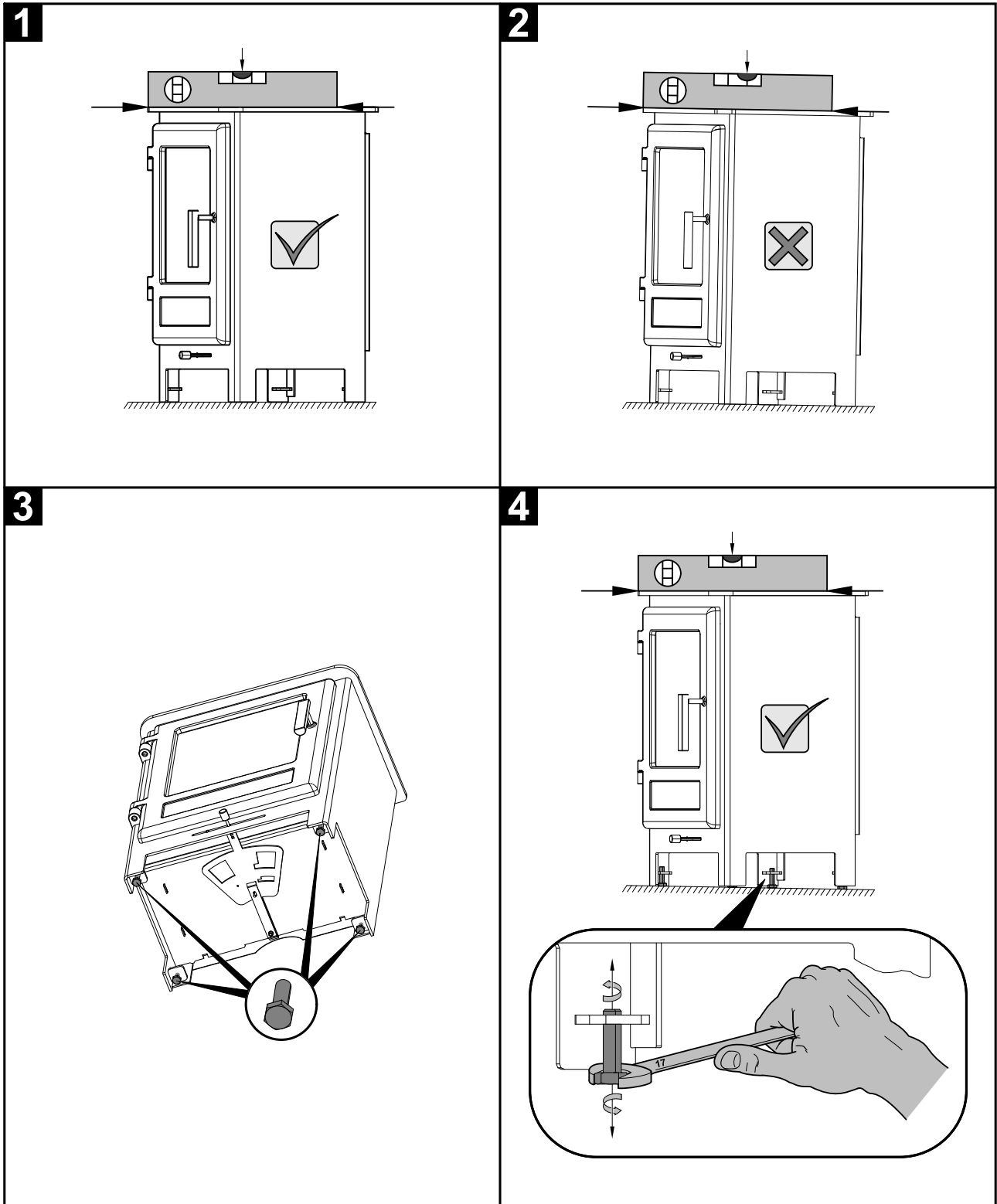
# 5. Change of the smoke neck



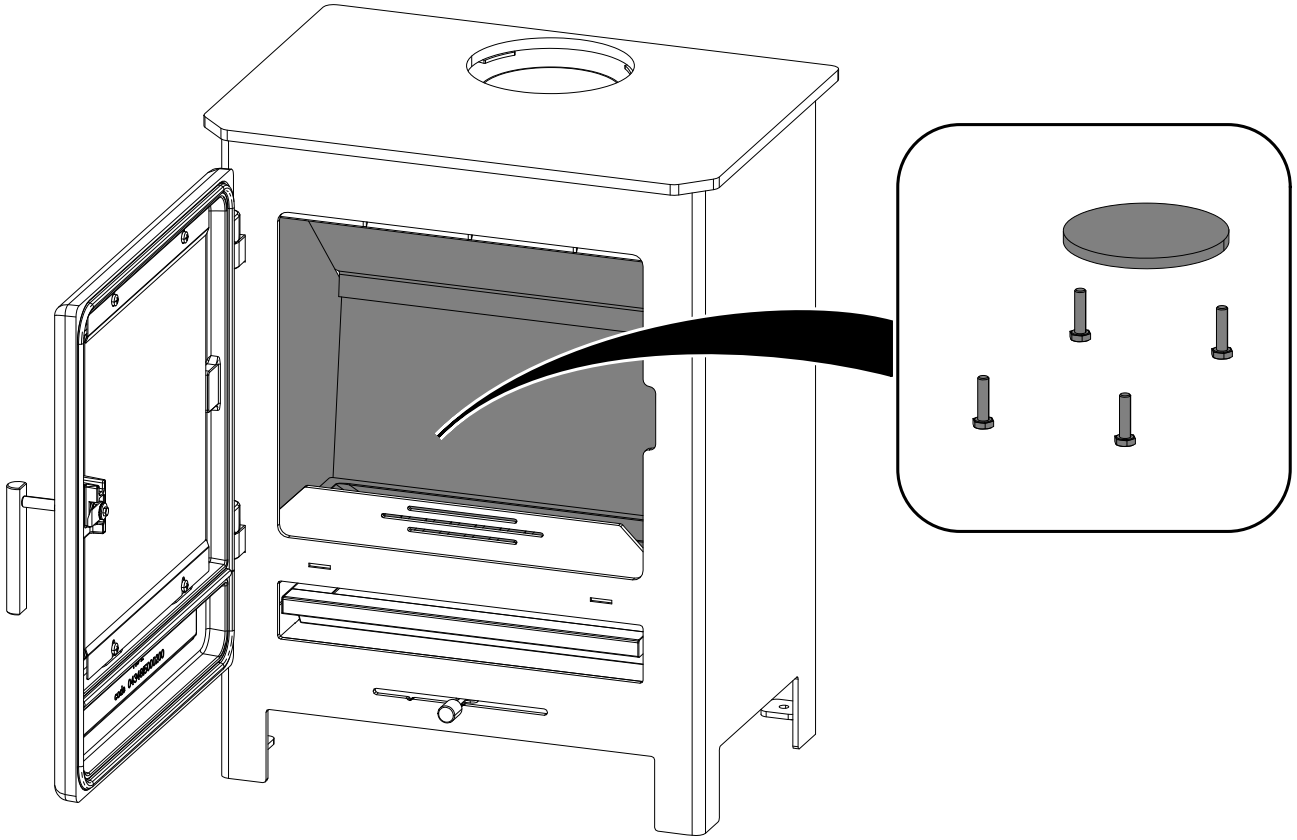
# 6. Installation of alignment screws

Installation of alignment screws

GB



# 7. Included in the scope of delivery



Included in the scope of delivery

GB

# 8. Instalation of air input modul

Instalation of air input modul

GB

