

HAAS
+
SOHN

Levanger with log box

Equipment sheet
Fireplace stove

GB

0434817601400a

Introduction

We thank you very much for purchasing our product!

The description of the heating device will inform you in detail about the design, technical specification and operation of the heating device. We recommend you to acquaint yourselves closely with these data. In this way, you will avoid possible faults during the proper assembly and operation.

You will find detailed conditions of installation and operation in General Manual of Operation (included in the scope of the delivery).

Notes in the text

GB



Of utmost importance there are the notes entitled **WARNING**. The notes entitled **WARNING** advise you on **serious danger of damage to the heating device or of an injury**.



The note entitled **Notice** advises you on possible damage to your heating device.



The note entitled **Important** calls your attention to the information important for the operation of your heating device.



The note itself calls your attention to the information important for the operation of your heating device in general.

Contents

1. Technical data	1
1.1. Suitable fuel, stoking amount of fuel	1
2. Adjustment of the controller	2
3. Technical description	3
4. List of spare parts	4
4.1. Overall scheme of the model	4
4.2. Detail A1	5
4.3. Detail A2	6
5. Change of the smoke neck	7
6. Installation of alignment screws	8
7. Installation of cover ring	9
8. Instalation of air input modul	10
9. Included in the scope of delivery	11

1. Technical data

	Block wood
Achievable heat output	6,2 kW
Nominal heat output	6 kW
Energy efficiency	76,7 %
Average concentration of CO at 13% O ₂	971 mg/Nm ³
Average concentration of dust at 13% O ₂	39 mg/Nm ³
Average concentration of NOx at 13% O ₂	138 mg/Nm ³
Average concentration of OGC at 13% O ₂	63 mg/Nm ³
Three values of combustion products (three specific output parameters of chimneys)	
Amount of combustion products at nominal output	4,6 g/s
Temperature of combustion products in the smoke flue neck	376 °C
Minimum draft of the chimney at nominal heat output	12 Pa

1.1. Suitable fuel, stoking amount of fuel

Fuel:	Max. stoking amount of fuel
Block wood:	1 - 2 logs (max. 1,84 kg)
Length of wood logs:	Max. 30 cm
Saw-dust briquettes (DIN51731):	—
Lignite briquette:	—



Note

When heating with wood stock, employ solely the types of wood which have been stored for two years and their residual humidity is at most 17 %.

2. Adjustment of the controller

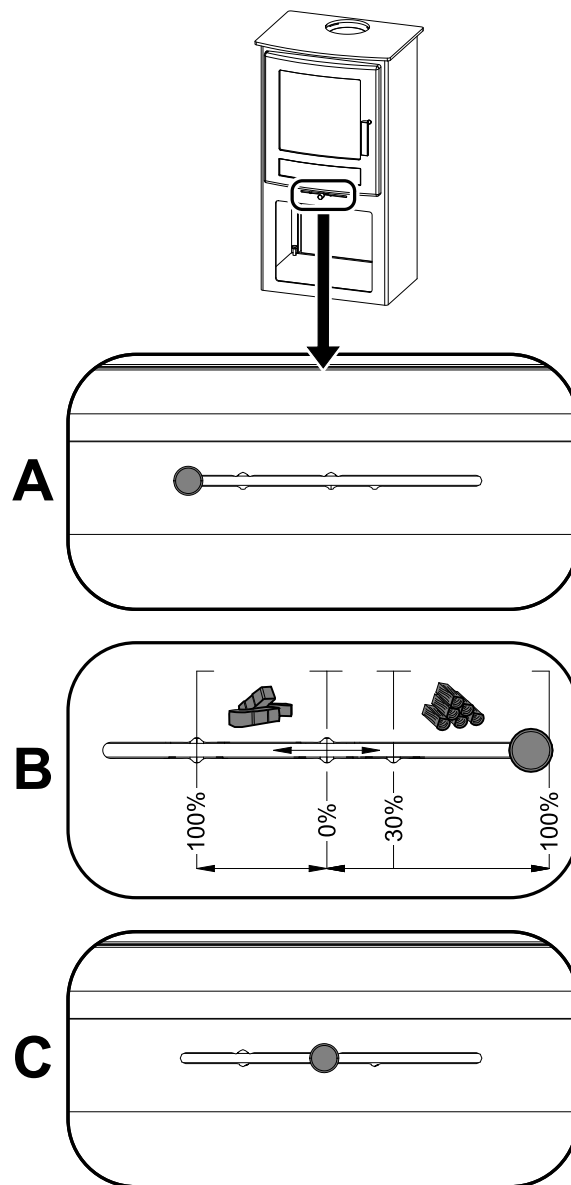
For the control of air inputs there is only one control — this adjusts both primary and secondary air.

1. Controller in the position intended for lighting the stove (fig. A). All the air inputs are open (the primary and secondary ones).
2. Adjustment of the controller in the mode of heating with wood and coal briquettes (fig. B). For wood burning, a notch is provided at 30% open which is the minimum setting for use in Smoke Control Areas.
3. Controller in the position for closing the air inputs (fig. C). No input (primary, secondary) is opened. This position is employed only with the stove out of operation, after finishing the heating process.

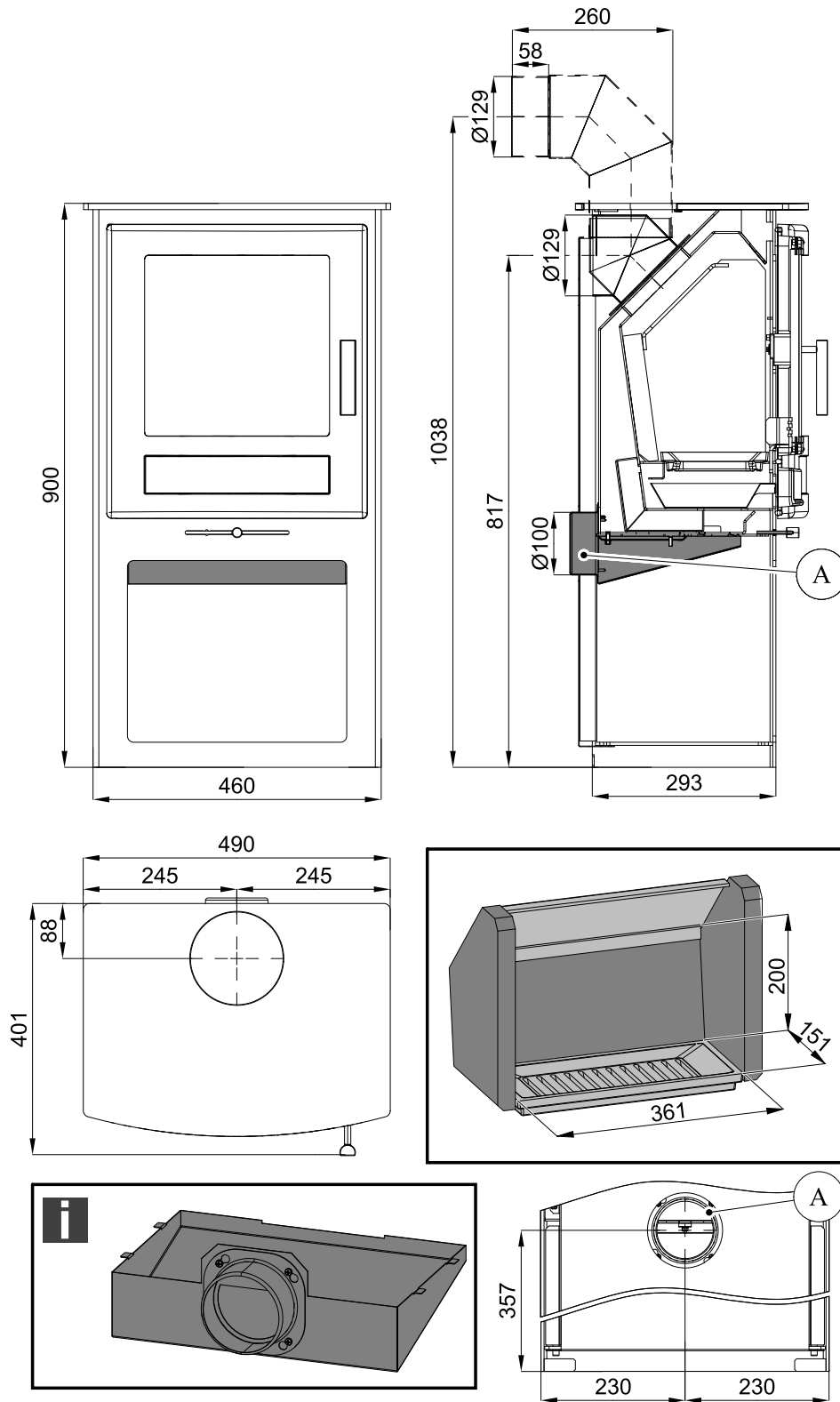


WARNING

During the heating process, the air inputs must not come to be closed (fig. C)! In extreme cases, an explosion can be produced in the stove, with subsequent chipping of the glass, scattering of embers in the room, and a fire as a consequence.



3. Technical description



Note

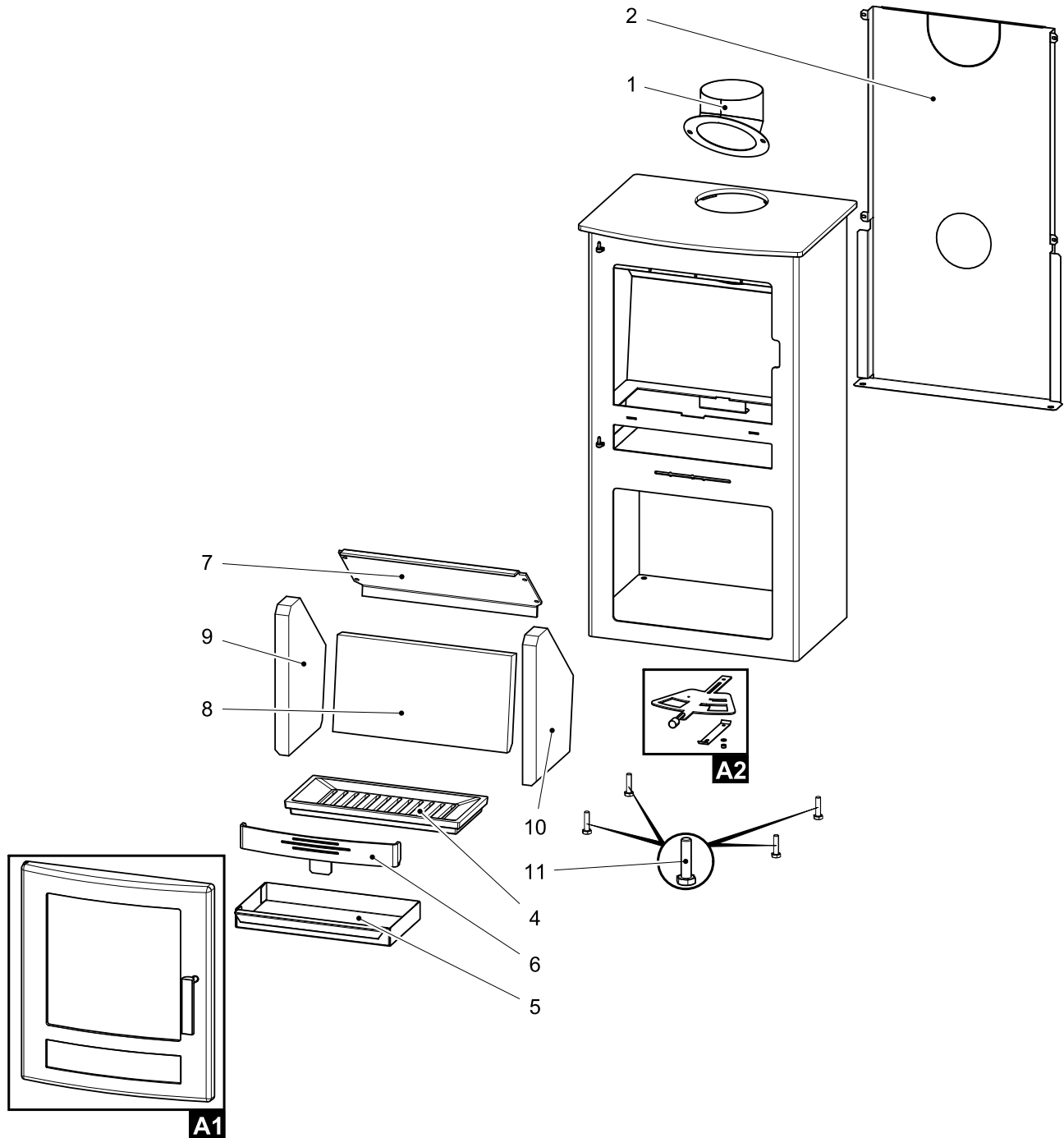
Not included in the scope of the delivery (Chapter 8)

4. List of spare parts

4.1. Overall scheme of the model

List of spare parts

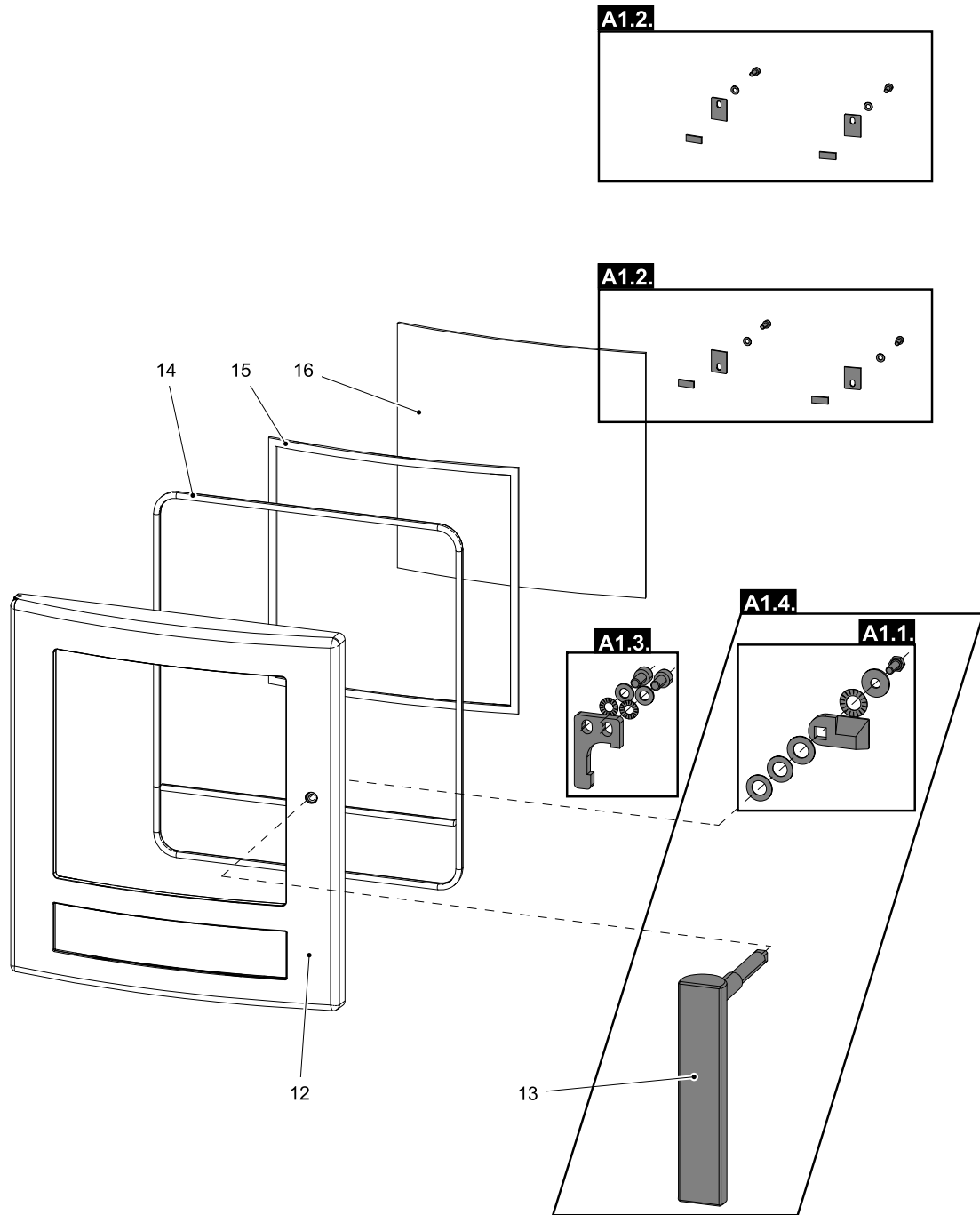
GB



Item	Name	Quantity	Number of goods
Overall scheme of the model			
A1	Fire-box door (complete)/black	1 piece	0434817505300
A2	Sliding valve (complete)/black	1 piece	0434815105002
1	Smoke flue neck/black	1 piece	0434815005400
2	Rear cover	1 piece	0434817105050
3	Upper blind flange/black (chapter 5)	1 piece	0434815005060

4	Grate/black	1 piece	0434815005040							
5	Ashpan	1 piece	0434815005045							
6	Protection/black	1 piece	0434817005030							
7	Screen loose (5x410x202,7)	1 piece	0434815005030							
8	Brick 204x382x30	1 piece	0434815005503							
9	Brick 322x220x30	1 piece </tr <tr> <td>10</td> <td>Brick 322x220x30</td> <td>1 piece</td> <td>0434815005501</td> </tr> <tr> <td>11</td> <td>Bolt M10x40</td> <td>4 piece</td> <td>0030001000405</td> </tr>	10	Brick 322x220x30	1 piece	0434815005501	11	Bolt M10x40	4 piece	0030001000405
10	Brick 322x220x30	1 piece	0434815005501							
11	Bolt M10x40	4 piece	0030001000405							

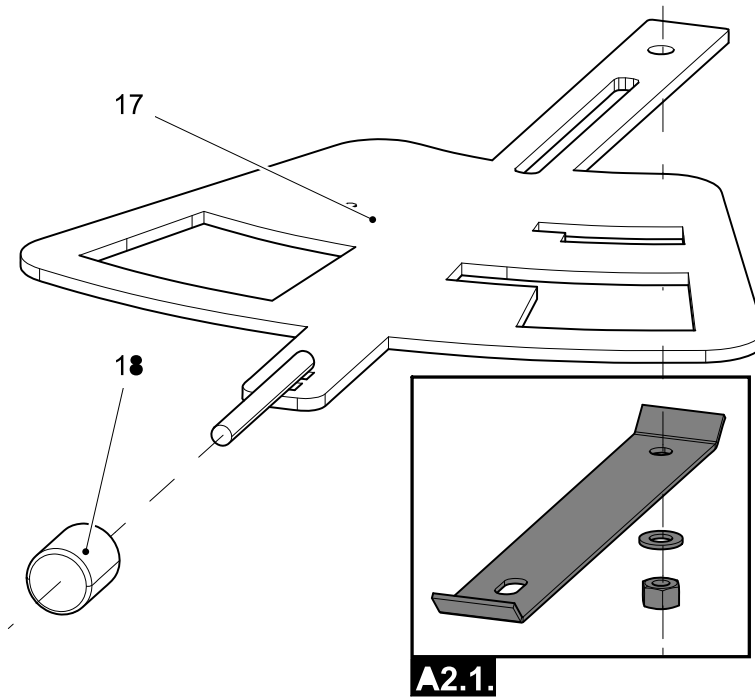
4.2. Detail A1



Item	Name	Quantity	Number of goods
Detail A1			

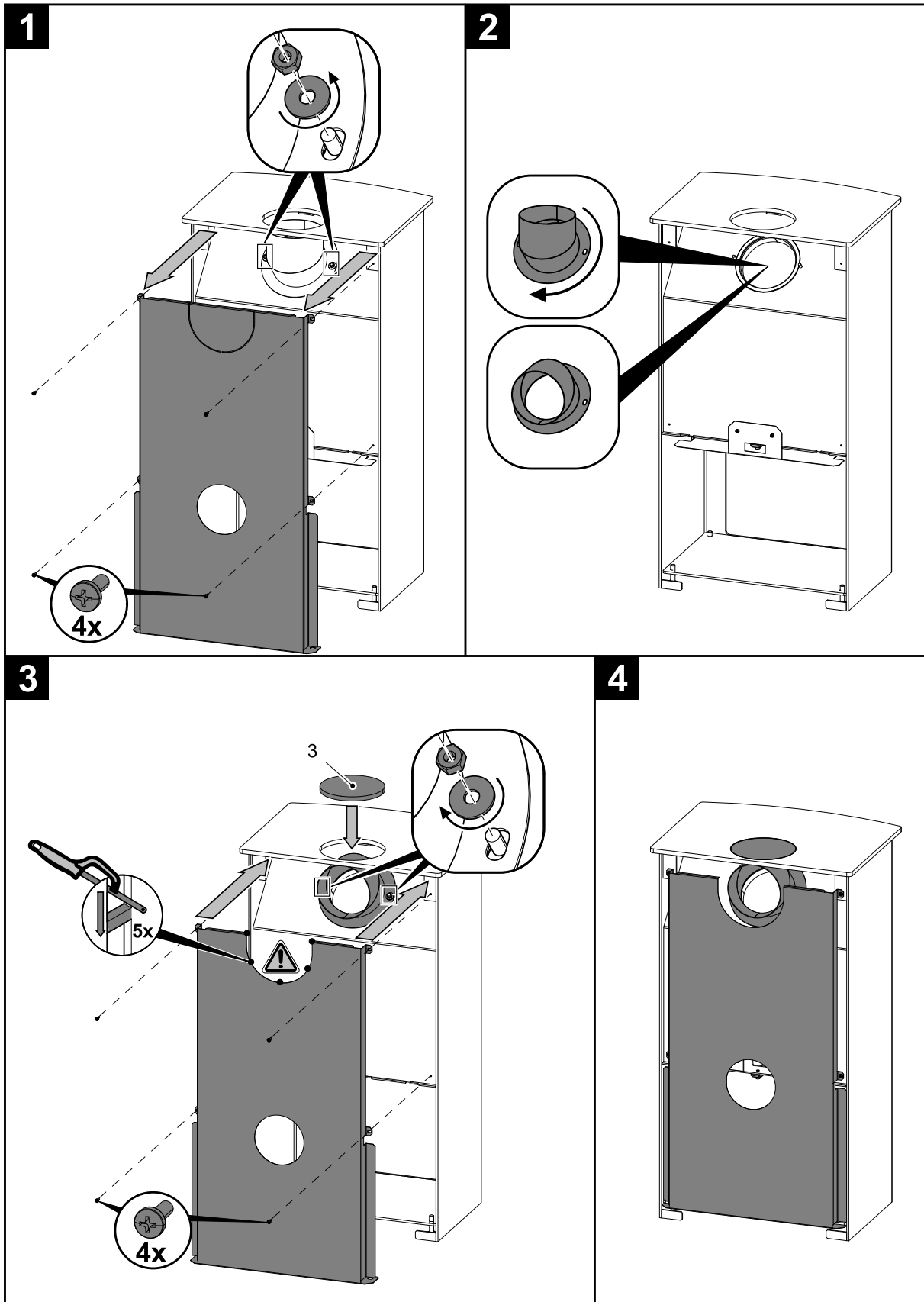
A1.1.	Handle connecting material — set	1 piece	0434815005011
A1.2.	Glass holder — set/black	1 piece	0434817005012
A1.3.	Stopper — set/black	1 piece	0434818005013
A1.4.	Fire-box door lever lock + handle connecting material — set	1 piece	0434817506310
12	Fire-box door (welded part)/black	1 piece	0434817005200
13	Fire-box door lever lock	1 piece	0434817505310
14	Door sealing cord - 11 mm	2000 mm	0040300110005
15	Glass sealing cord - 10x4 mm	1220 mm	0040210040005
16	Refractory glass (314x308)	1 piece	0434817005320

4.3. Detail A2



Item	Name	Quantity	Number of goods
Detail A2			
A2.1.	Spring — set/black	1 piece	0434815005023
17	Sliding valve/black	1 piece	0434815105020
18	Controller	1 piece	0429415006625

5. Change of the smoke neck



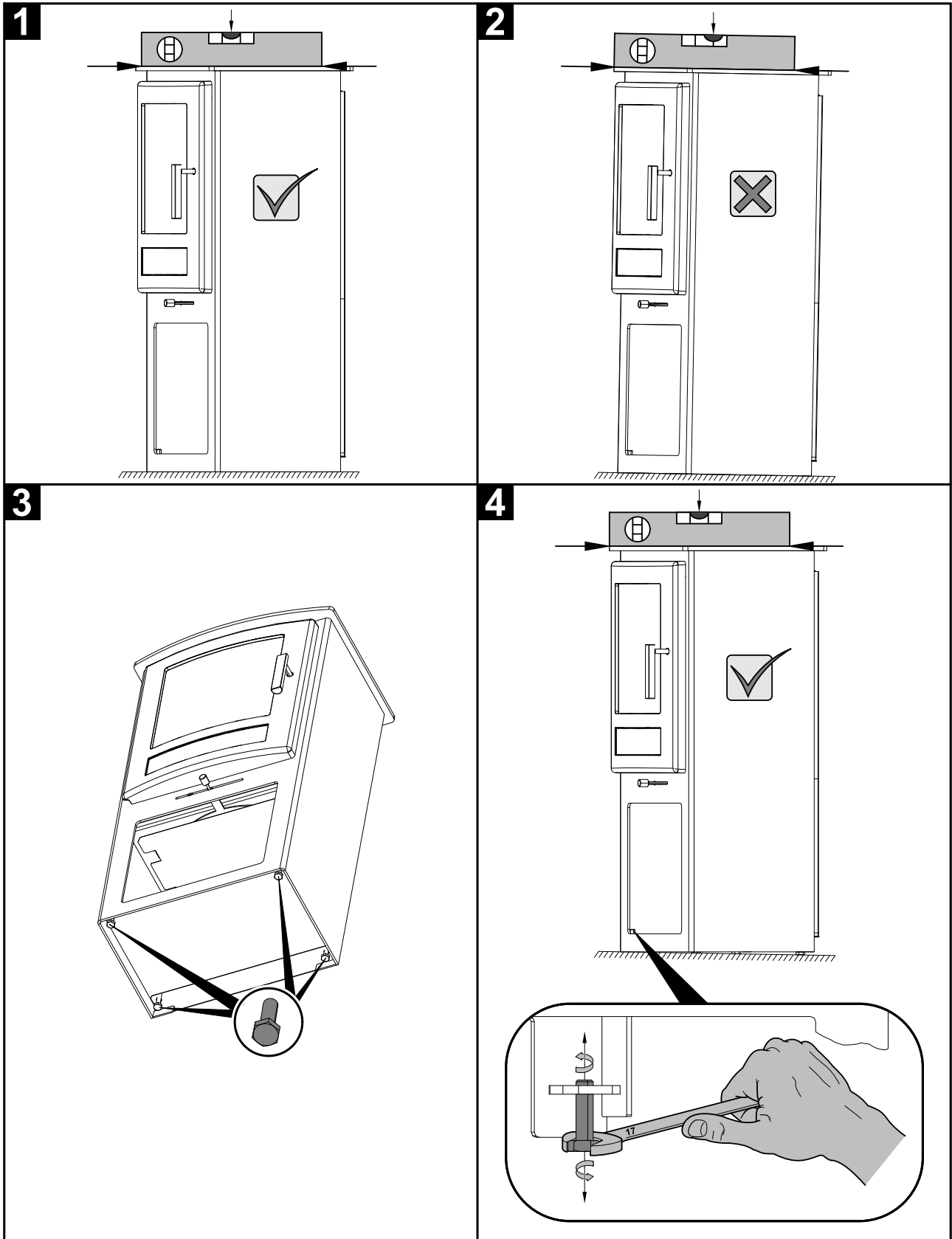
Change of the smoke neck

GB

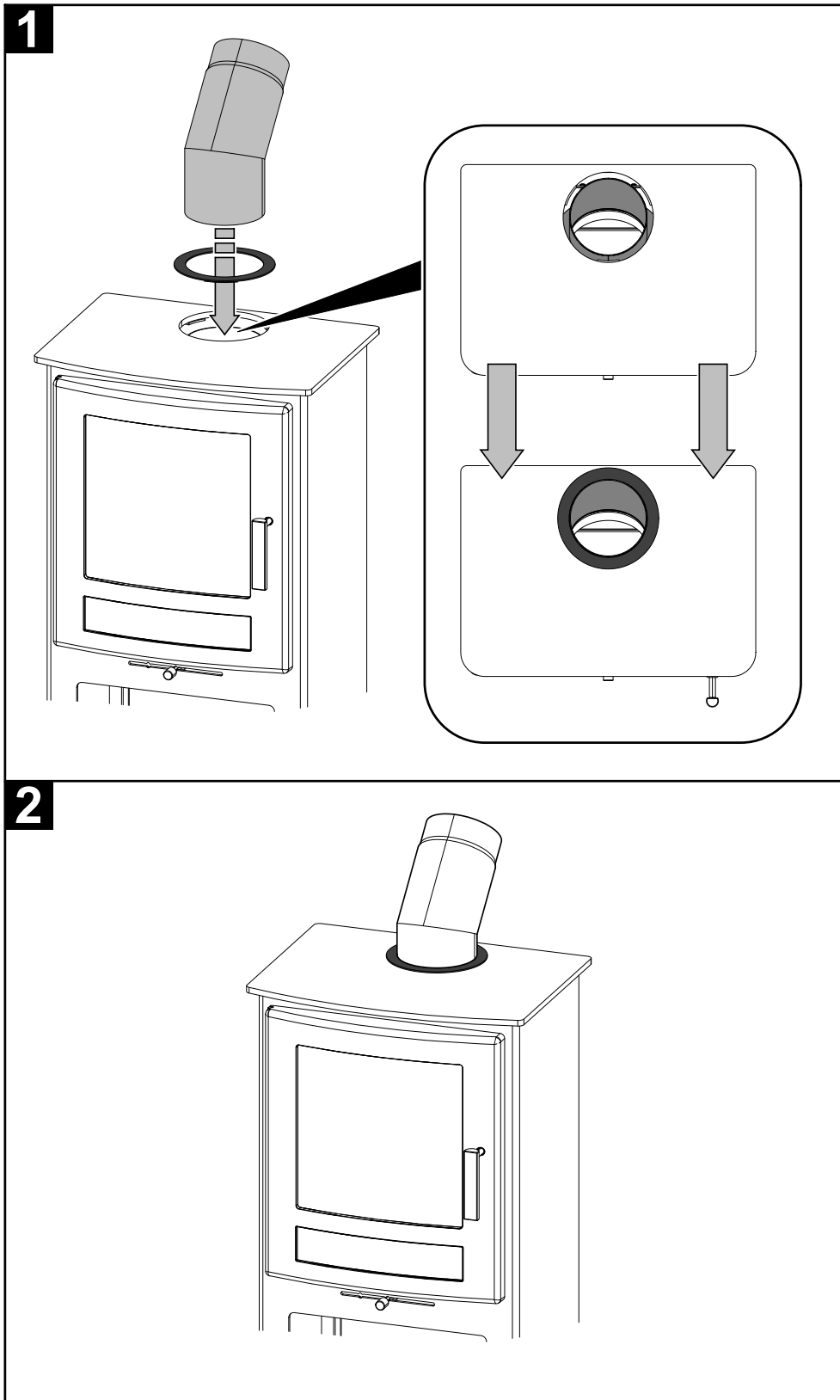
6. Installation of alignment screws

Installation of alignment screws

GB



7. Installation of cover ring

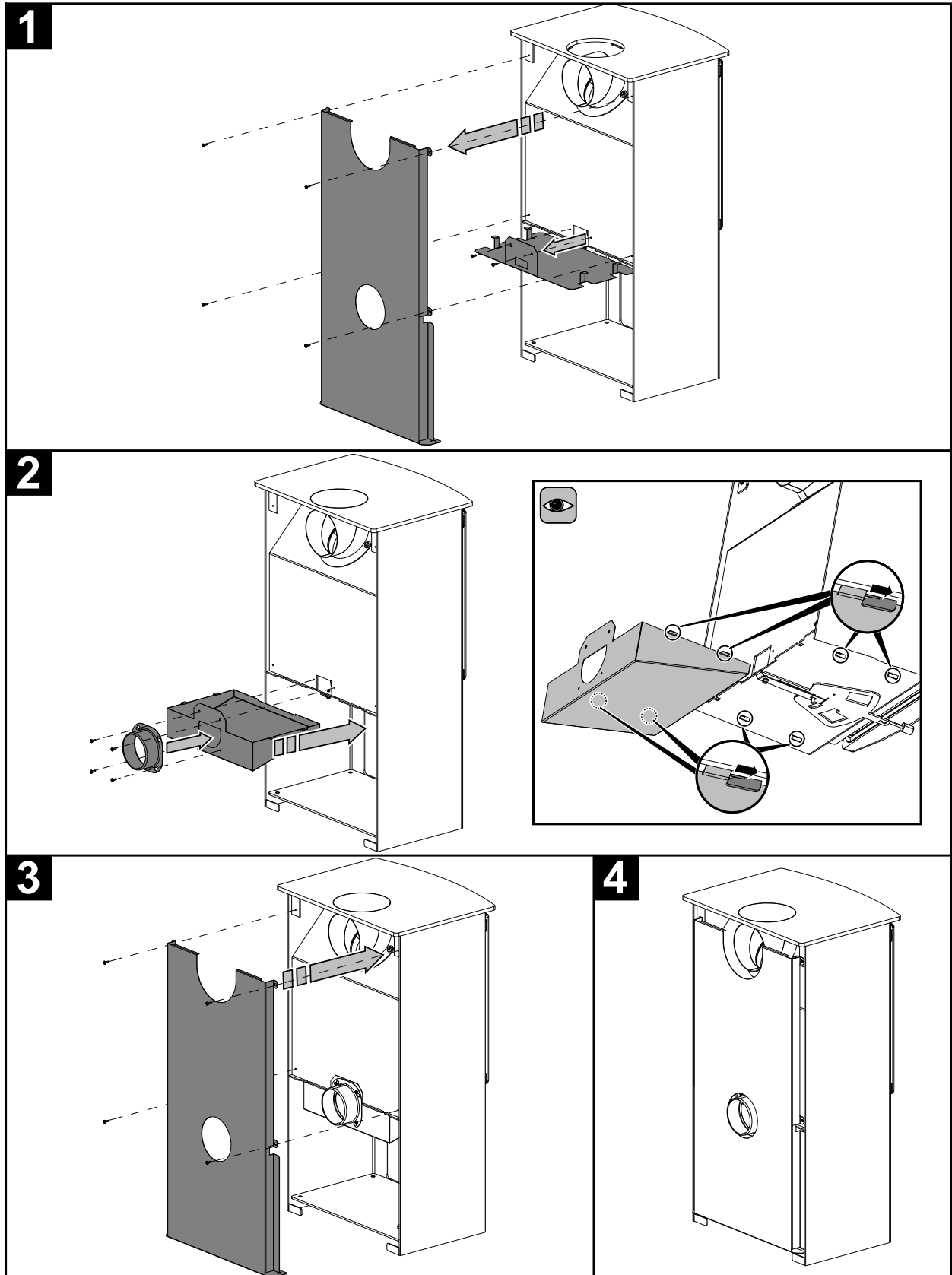


Installation of cover ring

GB

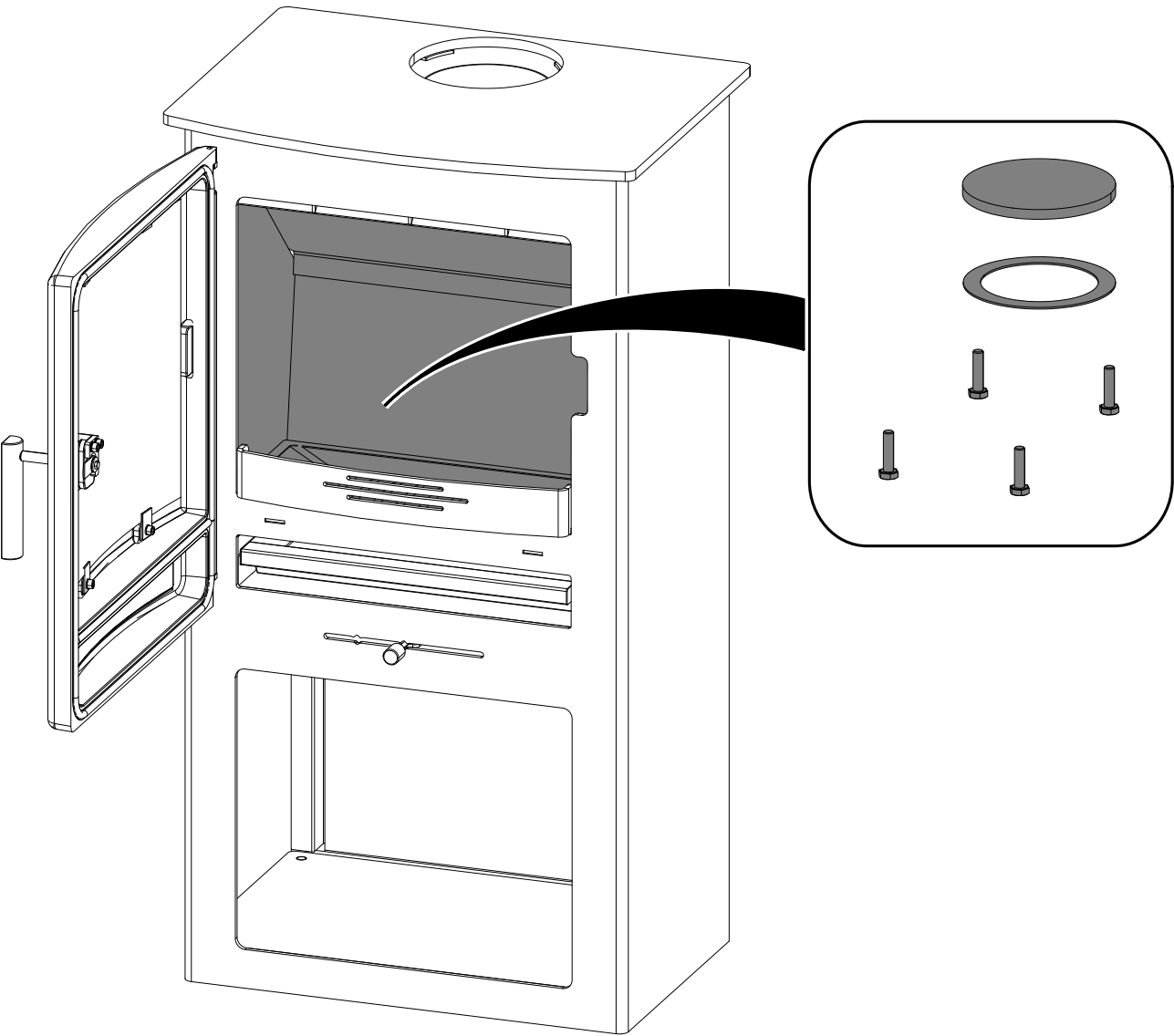
8. Instalation of air input modul

Instalation of air input modul



GB

9. Included in the scope of delivery



Included in the scope of delivery

GB