

HAAS
+
SOHN

Avesta

Equipment sheet
Fireplace stove

GB

Introduction

We thank you very much for purchasing our product!

The description of the heating device will inform you in detail about the design, technical specification and operation of the heating device. We recommend you to acquaint yourselves closely with these data. In this way, you will avoid possible faults during the proper assembly and operation.

You will find detailed conditions of installation and operation in General Manual of Operation (included in the scope of the delivery).

Notes in the text

GB



Of utmost importance there are the notes entitled **WARNING**. The notes entitled **WARNING** advise you on **serious danger of damage to the heating device or of an injury**.



The note entitled **Notice** advises you on possible damage to your heating device.



The note entitled **Important** calls your attention to the information important for the operation of your heating device.



The note itself calls your attention to the information important for the operation of your heating device in general.

Contents

1. Technical data	1
2. Easy control	2
3. Technical description	3
4. Dimensioned diagram	4
4.1. Knee-piece of exhaust of combustion products	4
5. List of spare parts	5
5.1. Overall scheme of the model	5
5.2. Detail A1	7
5.3. Detail A2, A3, A4	8

1. Technical data


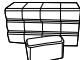
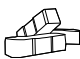
Suitable fuel:

As concerns suitable fuel to be employed, see the chapter **2.2 Fuel** in the General Manual of Operation.

Proper operation:

As concerns the proper and safe operation of the fireplace stove, see the chapters **2. Description of the combustion process** and **5. Operating instructions** in the General Manual of Operation.

Instructions for the control of combustion process

Fuel		Output of the heating device	Quantity of fuel	Primary air	Secondary air	Tertiary air
Blockwood		100%	2,3 kg/hour	Easy control 100%		
		33%	0,8 kg/hour	Easy control 50%		
Eco-briquettes		100%	2,2 kg/hour	Easy control 100%		
		33%	0,7 kg/hour	Easy control 50%		
Coal briquettes		100%	1,6 kg/hour	Easy control 100%		
		33%	0,5 kg/hour	Easy control 33%		

Technical data

	Blockwood	Eco-briquettes	Coal briquettes
Achieved heat output (100%)	8,1 kW	8,1 kW	8,1 kW
Nominal heat output	8 kW	8 kW	8 kW
Reduced heat output (33%)	2,7 kW	2,7 kW	2,7 kW
Maximum stoking amount of the fuel	2,3 kg/hour	2,2 kg/hour	1,6 kg/hour
Average temperature of combustion products behind the smoke flue neck	282 °C	269 °C	268 °C
Maximum mass flow of dry combustion products	6,9 g/s	6,7 g/s	8 g/s
Energy efficiency	80,2 %	81,4 %	78,2 %
Average concentration of CO ₂	9,9 %	10,3 %	8,1 %
Concentration of CO in combustion products at 13% O ₂	617 mg/Nm ³	414 mg/Nm ³	812 mg/Nm ³
Average concentration of dust at 13% O ₂	31 mg/Nm ³	35 mg/Nm ³	37 mg/Nm ³
The amount of combustion air at nominal output	—	—	—
Tested in compliance with EN 13 240			

Technical information

Height	962 mm
Width	524 mm
Depth	566 mm
Weight	162 kg
Diameter of the smoke flue	150 mm
Min. chimney stack draught in the smoke flue neck	12 Pa
Heating capacity (middle heat losses) at 8,1 kW	cca 146 m ³
Controllable output	2,7 – 8,1 kW

2. Easy control

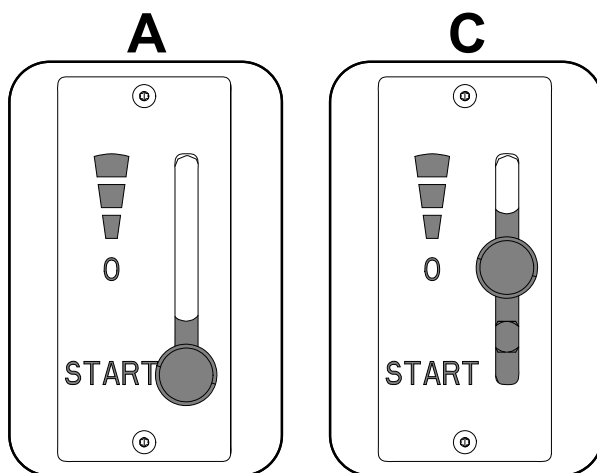
Control of all three air inputs - primary, secondary, tertiary - by means of one sole controller.

1. The controller is in the position intended for ignition (fig. A). All three air inputs are open (primary, secondary, tertiary).
2. The controller is in the position intended for burning of the stove after ignition (fig. B).
3. The controller is in the position designed to close air inputs (Fig. C). No input is open (primary, secondary, tertiary). This position is used only when the stove is out of operation, after finishing the heating process.

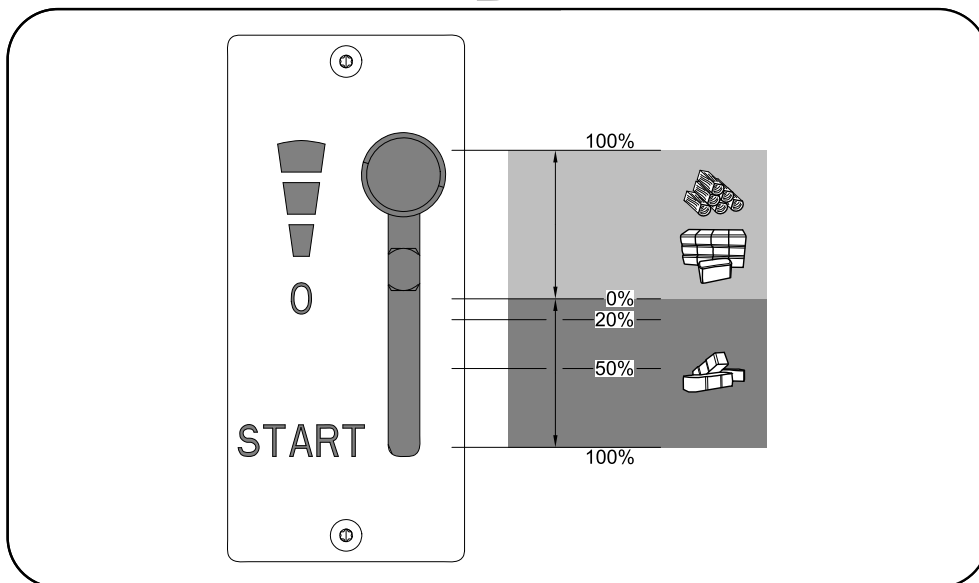


WARNING

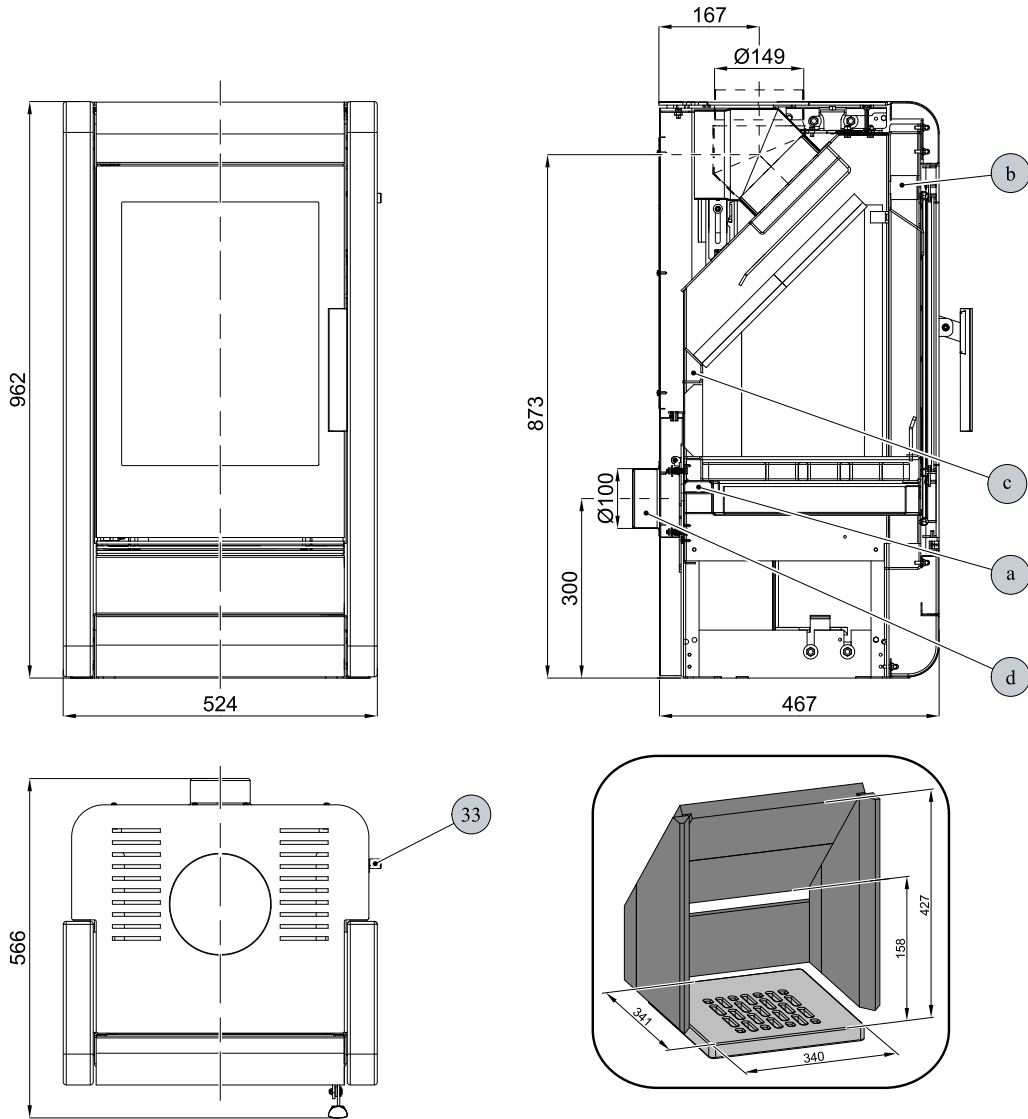
Air inputs may not be closed during the heating operation (Fig. C)! In an extreme case, there can occur an explosion in the stove followed by breaking of glass, blowing up of cinders across the room and breaking out of the fire.



B



3. Technical description



Position	Name
33	Easycontrol — Controller
a	Intake of primary air
b	Intake of secondary air
c	Tertiary air output
d	External air input ($\text{Ø}100$)

4. Dimensioned diagram

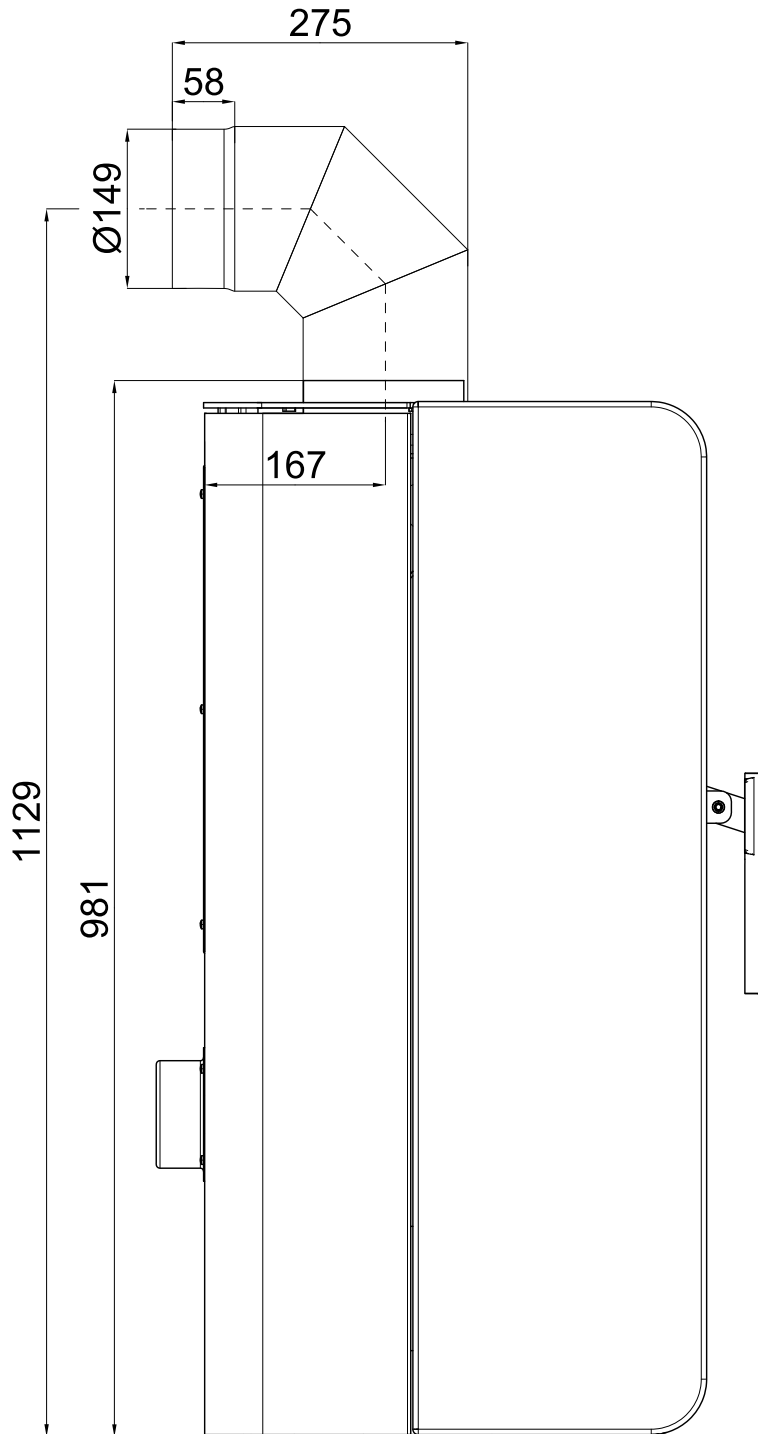
4.1. Knee-piece of exhaust of combustion products



Note

The knee-piece of exhaust of combustion products is delivered as optional accessory.

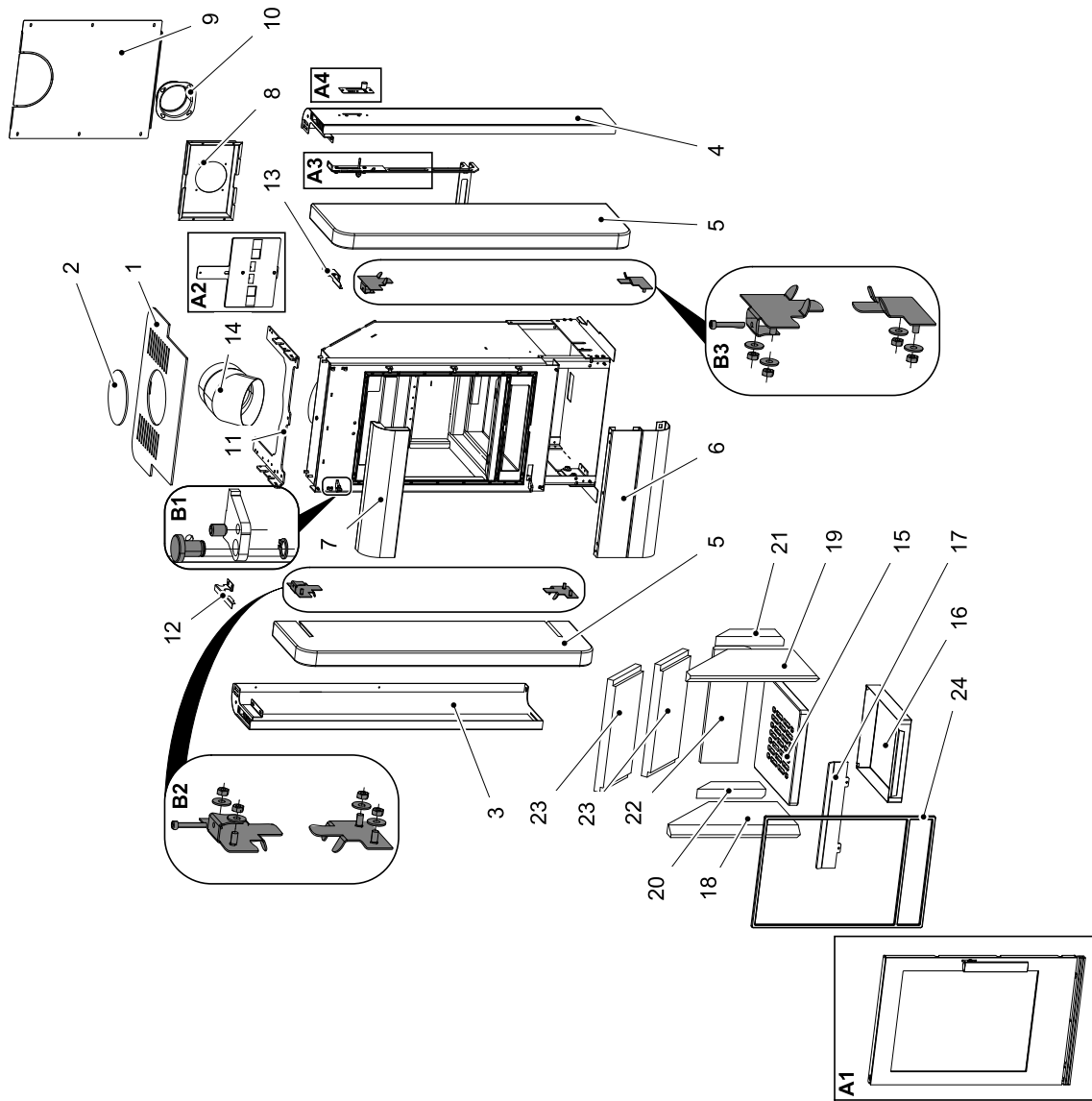
Dimensioned diagram



GB

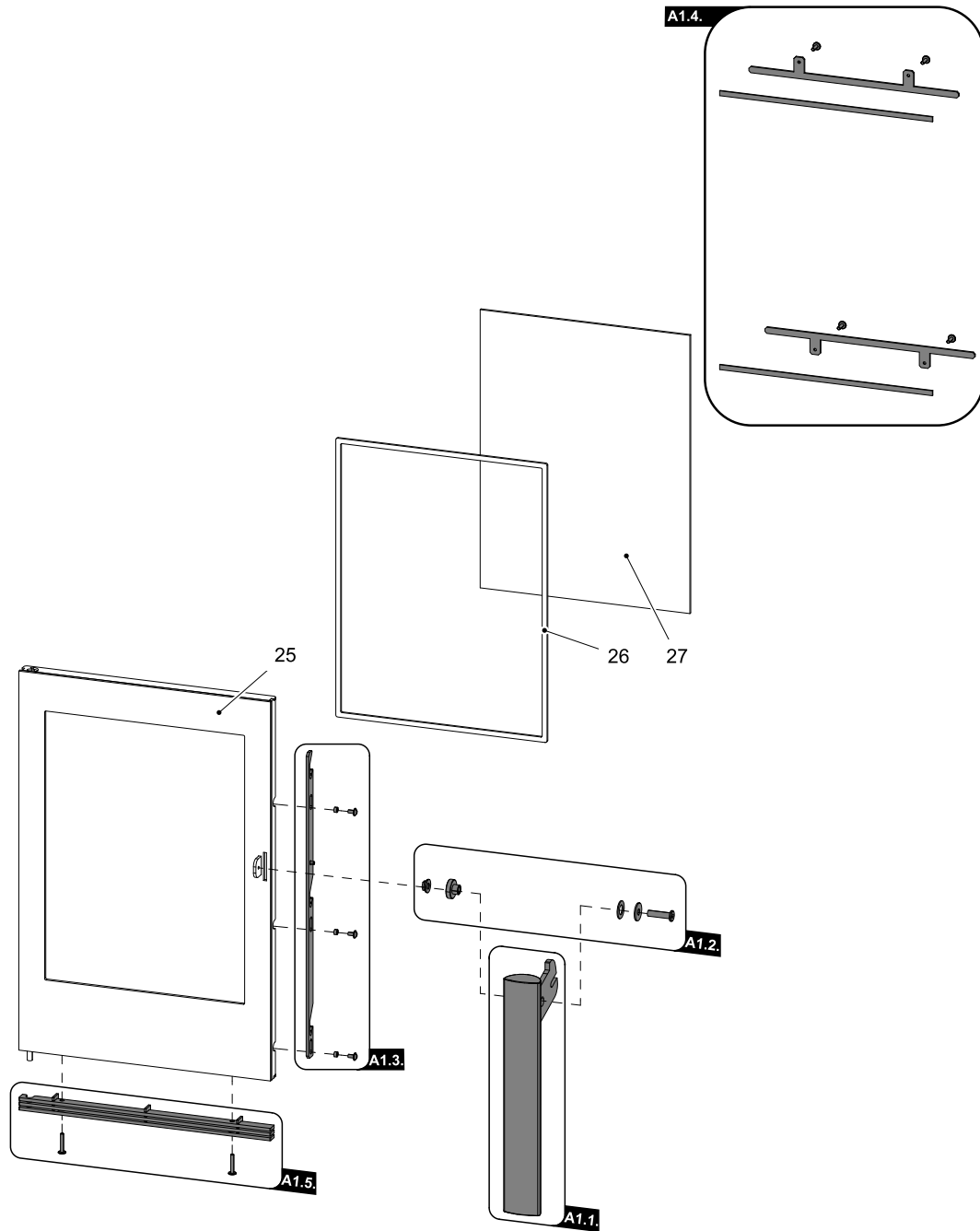
5. List of spare parts

5.1. Overall scheme of the model



Overall scheme of the model			
Item	Name	Quantity	Number of goods
A1	Fire-box door (complete)/black-silver	1 piece	0434915005300
A2	Sliding valve (complete)/black	1 piece	0435016025027
A3	Control (complete)/Easycontrol	1 piece	0435016005060
A4	Controller (complete)	1 piece	0434615005005
B1	Hinge connecting material — set	1 piece	0434515005128
B2	Holder of the lining-left/black — set	1 piece	0435016106000
B3	Holder of the lining-right/black — set	1 piece	0435016116000
1	Top cover/black	1 piece	0434915005001
2	Blind cover/black	1 piece	0434916005805
3	Lateral cover — left/black	1 piece	0434915005019
4	Lateral cover — right/black	1 piece	0434915005018
5	Lateral lining/Woodstone Prestige	1 piece	0434615105050
6	Lower cover/black	1 piece	0434515015021
7	Upper cover/black	1 piece	0434515015020
8	Cover	1 piece	0435016005000
9	Rear cover	1 piece	0434915005010
10	External air input (Ø100)	1 piece	0088500050008
11	Holder of the lining/black	1 piece	0434915025505
12	Closing panel left/black	1 piece	0434915025503
13	Closing panel right/black	1 piece	0434915025501
14	Elbow 45°/black	1 piece	0434915035000
15	Grate/lackfire	1 piece	0434515005053
16	Ashpan	1 piece	0434515005030
17	Protection/black	1 piece	0434515005040
18	Refractory lining — lateral left (30x235x420)	1 piece	0434915005501
19	Refractory lining — lateral right (30x235x420)	1 piece	0434915005502
20	Refractory lining — rear left (30x65x222)	1 piece	0434915005503
21	Refractory lining — rear right (30x65x222)	1 piece	0434915005504
22	Refractory lining — rear (30x120x370)	1 piece	0050101580005
23	Screen — loose (30x365x190)	2 piece	0434915005505
24	Door sealing cord 10 mm	2500 mm	0040300100005

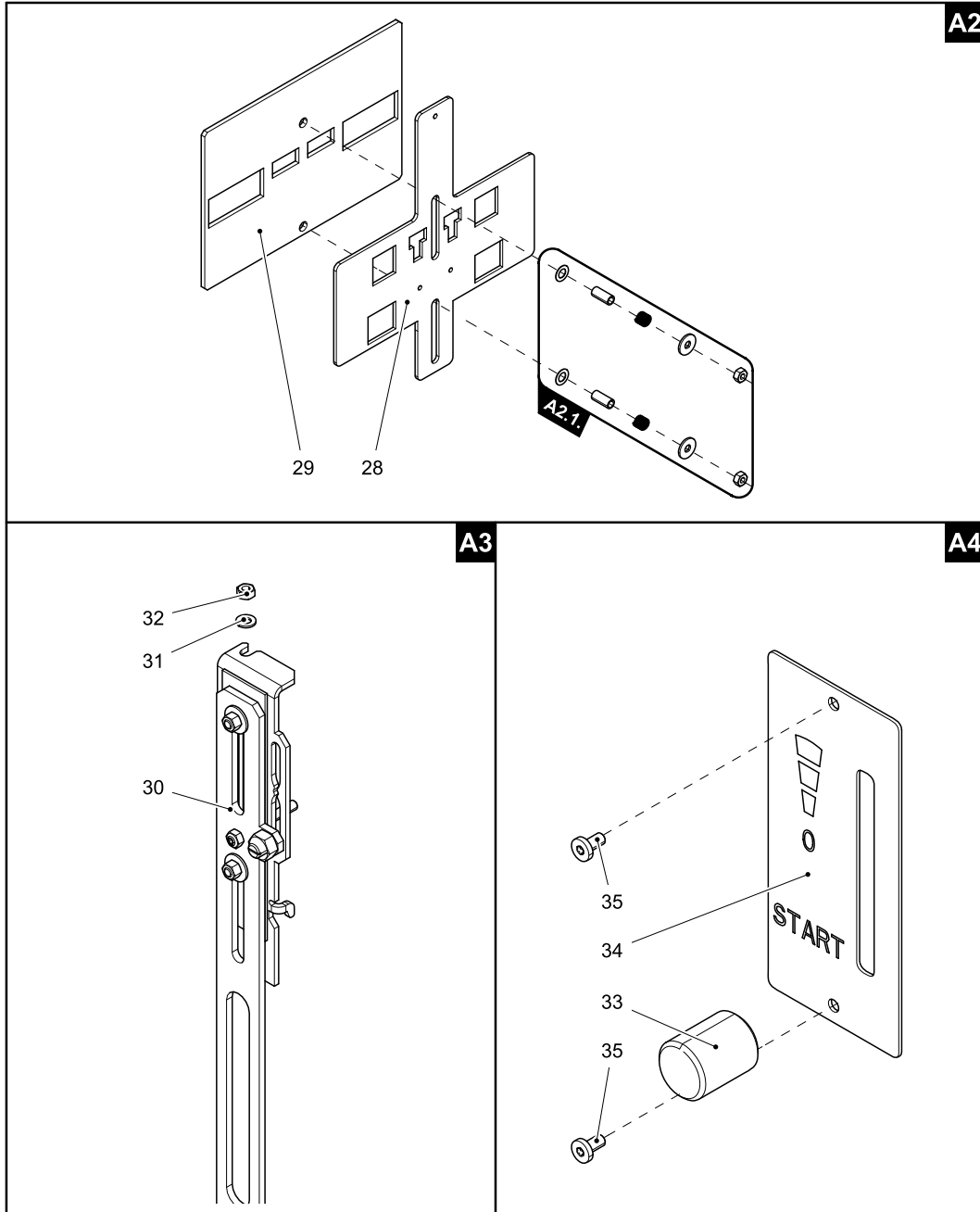
5.2. Detail A1



Detail A1			
Item	Name	Quantity	Number of goods
A1.1.	Fire-box door lever lock (complete)	1 piece	0429415005318
A1.2.	Handle connecting material — set	1 piece	0434615505002
A1.3.	Closing mechanism drawbar/black — set	1 piece	0434615005321
A1.4.	Glass holder — set/black	1 piece	0434615005330
A1.5.	Shutter/silver — set	1 piece	0434615005315
25	Fire-box door (welded part)/black	1 piece	0434915005200

26	Glass sealing cord 10x4 mm	1660 mm	0040210040005
27	Refractory glass (345x455)	1 piece	0434515005304

5.3. Detail A2, A3, A4



Detail A2			
Item	Name	Quantity	Number of goods
A2.1.	Sliding valve connecting material — set	1 piece	0434915115027
28	Sliding valve	1 piece	0435016017027
29	Sliding valve sealing	1 piece	0434515005052

Detail A3			
Item	Name	Quantity	Number of goods
30	Control/Easycontrol	1 piece	0435016005060
31	Washer 5,3 DIN 125A	1 piece	—
32	Nut M5 DIN 980V	1 piece	—
Detail A4			
Item	Name	Quantity	Number of goods
33	Controller	1 piece	0420915005625
34	Controller label	1 piece	0429415005171
35	Screw M3x10 BN 9524	2 piece	0030400300105



