

HAAS
+
SOHN

Matera

Equipment sheet
Fireplace stove

GB

Introduction

We thank you very much for purchasing our product!

The description of the heating device will inform you in detail about the design, technical specification and operation of the heating device. We recommend you to acquaint yourselves closely with these data. In this way, you will avoid possible faults during the proper assembly and operation.

You will find detailed conditions of installation and operation in General Manual of Operation (included in the scope of the delivery).

Notes in the text

GB



Of utmost importance there are the notes entitled **WARNING**. The notes entitled **WARNING** advise you on **serious danger of damage to the heating device or of an injury**.



The note entitled **Notice** advises you on possible damage to your heating device.



The note entitled **Important** calls your attention to the information important for the operation of your heating device.



The note itself calls your attention to the information important for the operation of your heating device in general.

Contents

1. Technical data	1
1.1. Suitable fuel, stoking amount of fuel	1
2. Technical description	2
3. List of spare parts	3
3.1. Overall scheme of the model	3
3.2. Detail A1	5
4. Easy control	6
5. Instructions for cleaning of the adapter	7

1. Technical data

	Block wood	
Achievable heat output (100%)	7,9 kW	
Nominal heat output	7,9 kW	
Energy efficiency	77,8 %	
Average concentration of CO at 13% O ₂	1061 mg/Nm ³	734 mg/MJ
Average concentration of dust at 13% O ₂	33 mg/Nm ³	23 mg/MJ
Average concentration of NOx at 13% O ₂	101 mg/Nm ³	70 mg/MJ
Average concentration of OGC at 13% O ₂	88 mg/Nm ³	61 mg/MJ
Amount of combustion products	8,6 g/s	
Temperature of combustion products in the smoke flue neck	292 °C	
Minimum draft of the chimney at nominal heat output	11 Pa	

1.1. Suitable fuel, stoking amount of fuel

Fuel	Max. stoking amount of fuel
Block wood:	1 – 2 logs (max. 2,4 kg)
Length of wood logs:	Max. 50 cm
Saw-dust briquettes (DIN51731):	—
Lignite briquette:	—



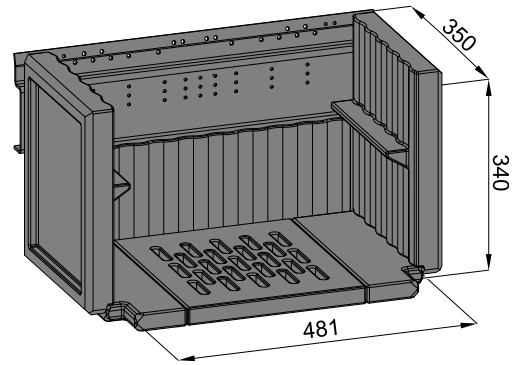
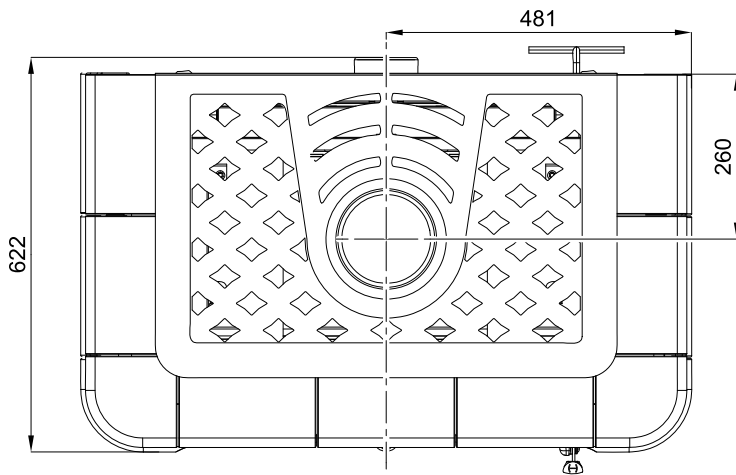
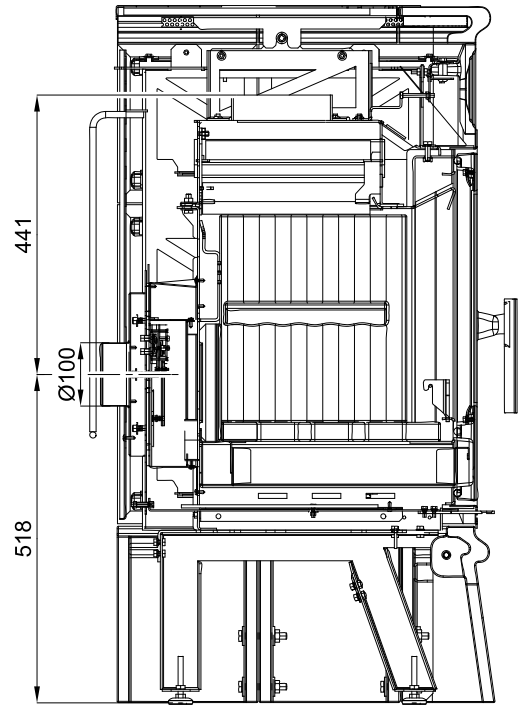
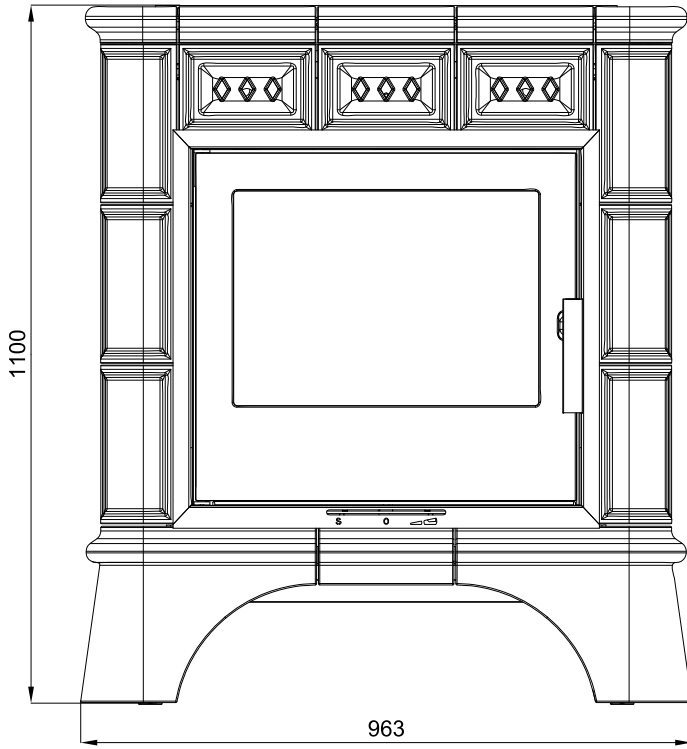
Note

When heating with wood stock, employ solely the types of wood which have been stored for two years and their residual humidity is at most 17 %.

2. Technical description

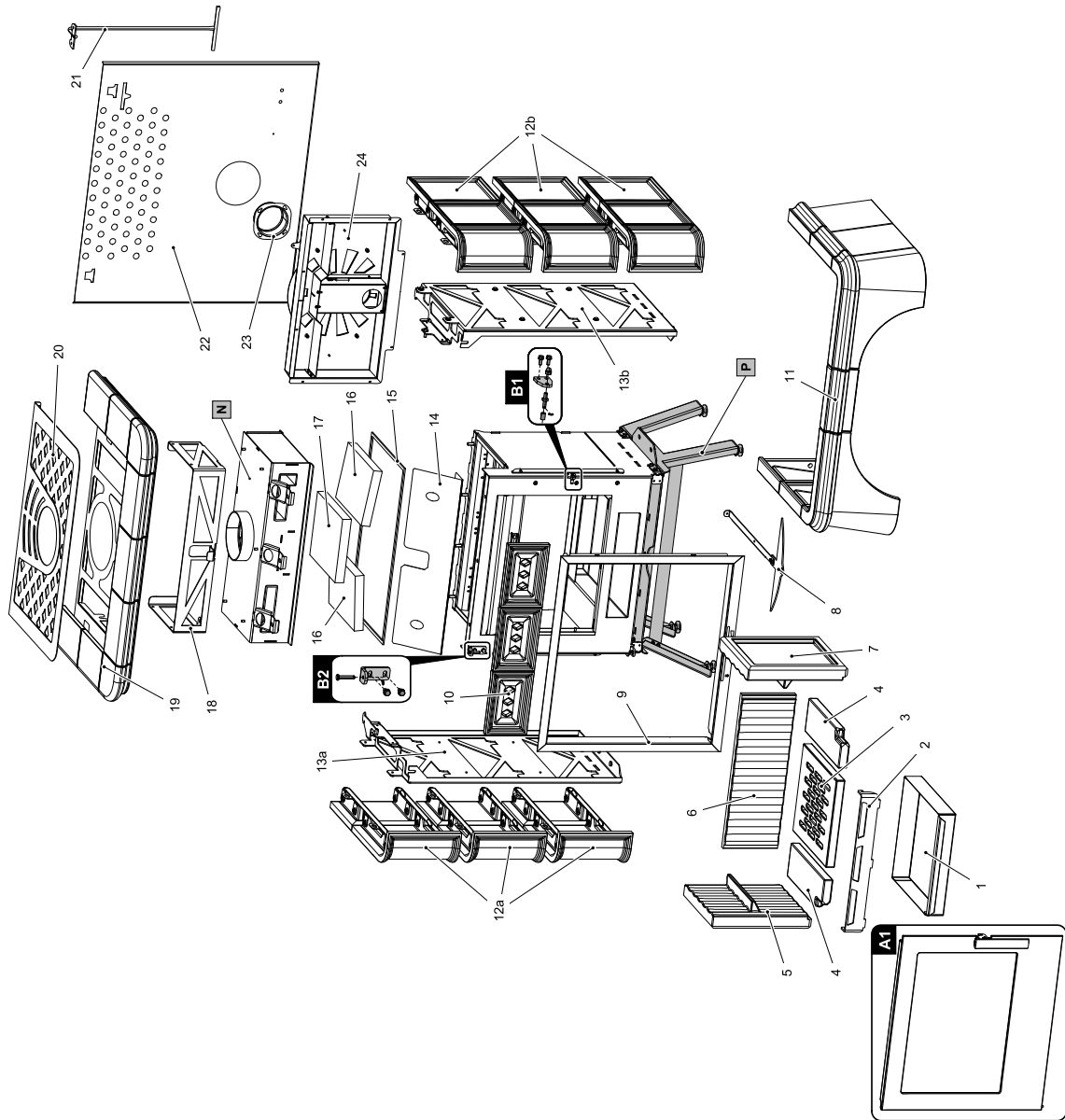
Technical description

GB



3. List of spare parts

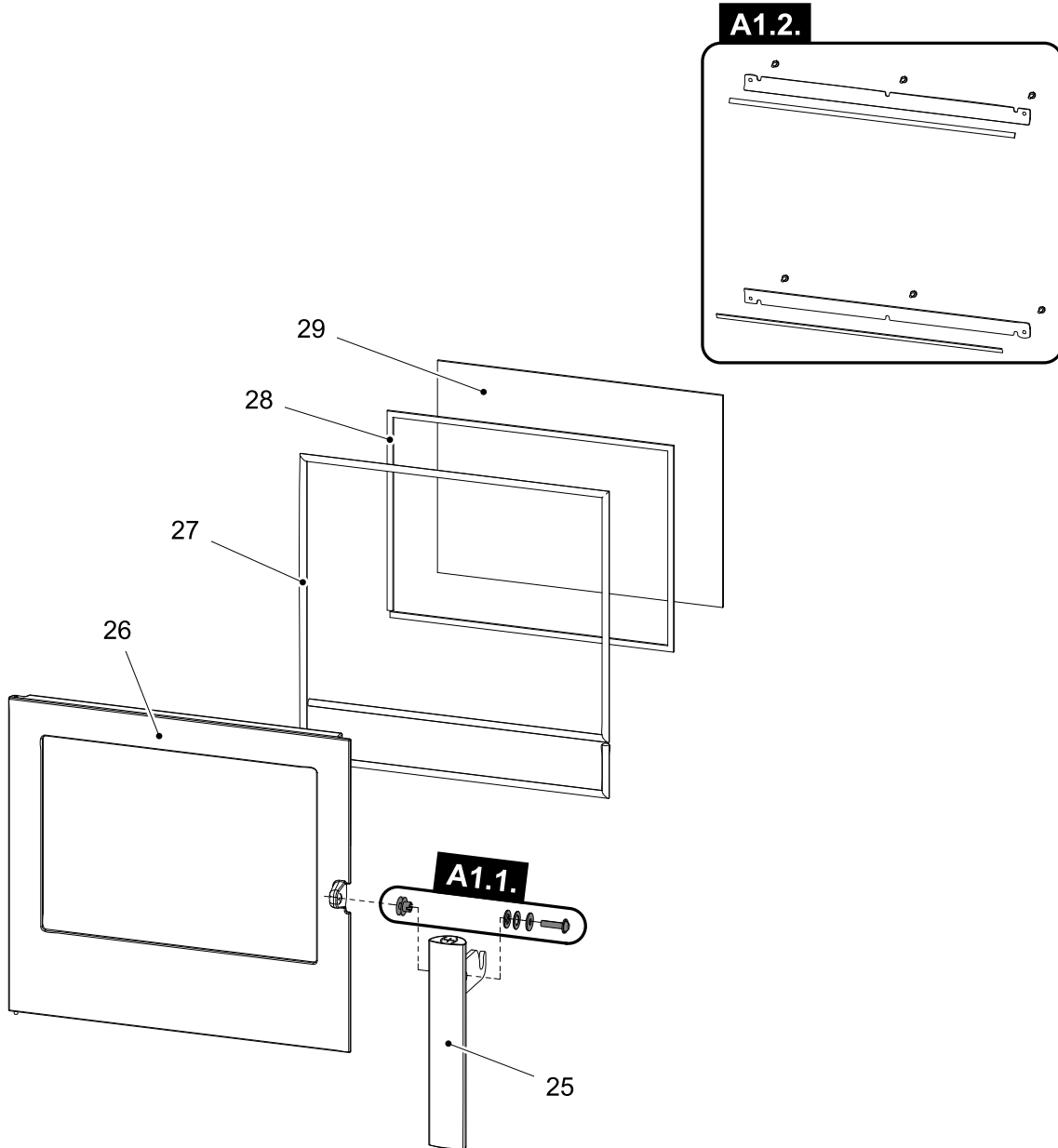
3.1. Overall scheme of the model



Overall scheme of the model			
Item	Name	Quantity	Number of goods
A1	Cast iron furnace door (complete)/black	1 piece	0619018155300
B1	Door lock (complete)	1 piece	0619018165007
B2	Strip connecting material (complete)	1 piece	0619018155005
1	Ashpan	1 piece	0432317005600
2	Protection/black	1 piece	0419018155006
3	Fire grate made of heat resistance concrete	1 piece	0619018155552
4	Refractory lining – bottom (30x114x345)	2 piece	0619018155554
5	Refractory lining – left (85x295x342)	1 piece	0619018155551
6	Refractory lining – rear (35x185x530)	1 piece	0619018155553
7	Refractory lining – right (85x295x342)	1 piece	0619018155511
8	Controller handle/black	1 piece	0435215005011
9	Frame/black	1 piece	0435215005420
10	Ceramic front tiles/honey cake	1 piece	0435215005120
10	Ceramic front tiles/ivory	1 piece	0435215015120
11	Ceramic base/honey cake	1 piece	0435215005150
11	Ceramic base/ivory	1 piece	0435215015150
12a	Ceramic lateral lining — left/honey cake	3 piece	0435215005113
12a	Ceramic lateral lining — left/ivory	3 piece	0435215015113
12b	Ceramic lateral lining — right/honey cake	3 piece	0435215005133
12b	Ceramic lateral lining — right/ivory	3 piece	0435215015133
13a	Holder — left/black	1 piece	0435215005110
13b	Holder — right/black	1 piece	0435215005130
14	Shielding	1 piece	0435215005426
15	Sealing cord 10x4 mm	1850 mm	0040210040005
16	Return draft board	2 piece	0619018155149
17	Return draft board	1 piece	0619018155148
18	Holder/black	1 piece	0435215005425
18	Ceramic mantelpiece/honey cake	1 piece	0435215005140
19	Ceramic mantelpiece/ivory	1 piece	0435215015140
20	Top cover/black	1 piece	0435215005160
21	Drawbar of the cleaning/black	1 piece	0619018157167
22	Rear cover/black	1 piece	0435215005423
23	External air input (Ø100)	1 piece	0088500050008
24	Air module	1 piece	0619068156500

P	Base/black	1 piece	0435215005500
N	Baffle modul/black	1 piece	0619018155150

3.2. Detail A1



Detail A1			
Item	Name	Quantity	Number of goods
A1.1. + 25	Fire-box door lever lock (complete) + handle connecting material – set	1 piece	0420114017301
A1.2.	Glass holder – set/black	1 piece	0619018155303
26	Cast iron furnace door/black	1 piece	0619018155301
27	Door sealing cord 10 mm	2600 mm	0040300100005
28	Glass sealing cord 10x4 mm	1700 mm	0040210040005
29	Refractory glass (4x370x501)	1 piece	0619018155302

4. Easy control

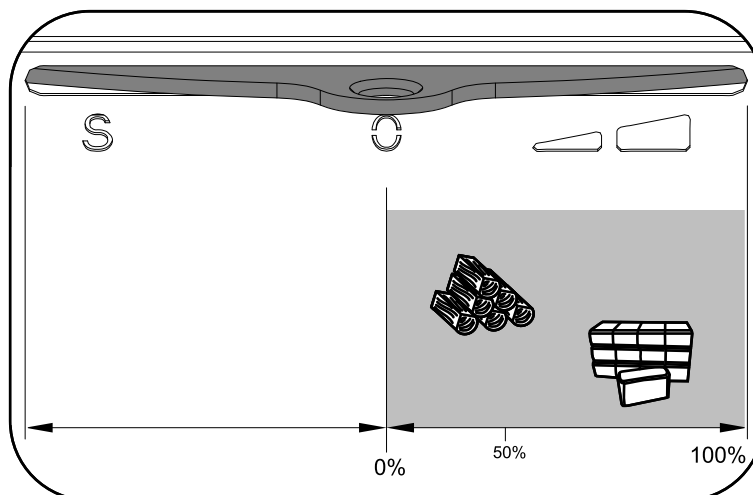
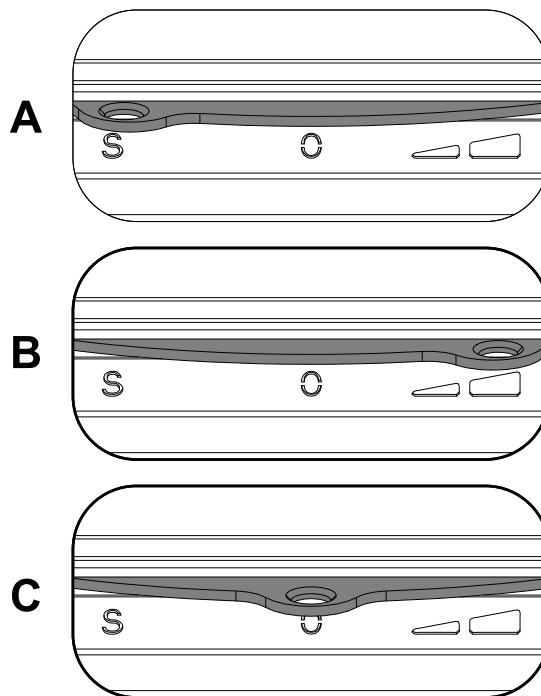
Control of all three air inputs (primary, secondary, tertiary) by means of one sole controller.

1. The controller is in the position intended for ignition (fig. A). All three air inputs are open (primary, secondary, tertiary).
2. The controller is in the position intended for burning of the stove after ignition (fig. B).
3. The controller is in the position designed to close air inputs (Fig. C). No input is open (primary, secondary, tertiary). This position is used only when the stove is out of operation, after finishing the heating process.



WARNING

Air inputs may not be closed during the heating operation (Fig. C)! In an extreme case, there can occur an explosion in the stove followed by breaking of glass, blowing up of cinders across the room and breaking out of the fire.



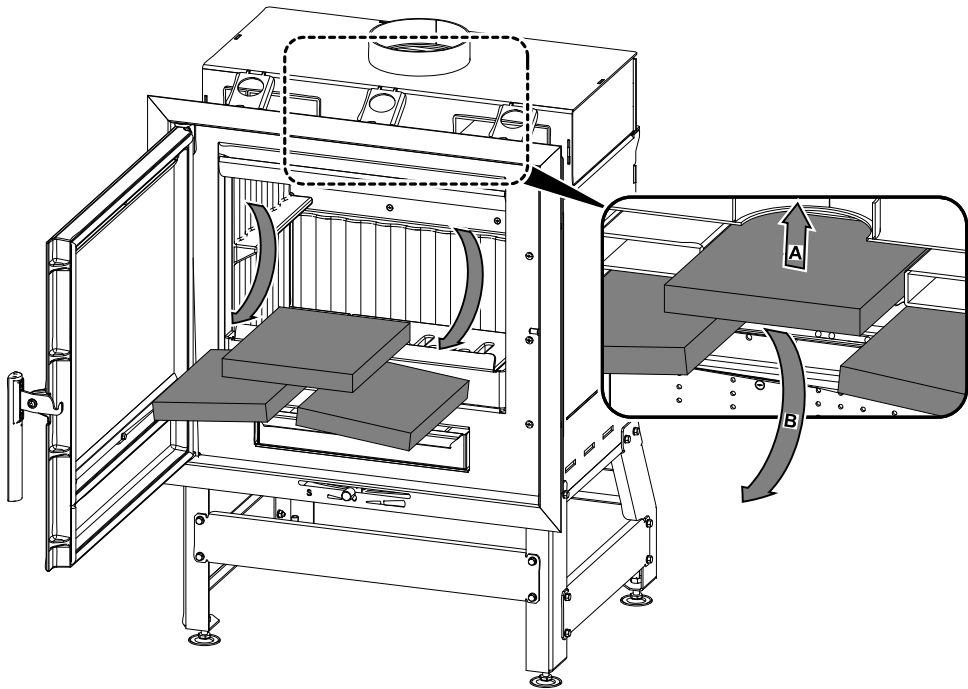
5. Instructions for cleaning of the adapter



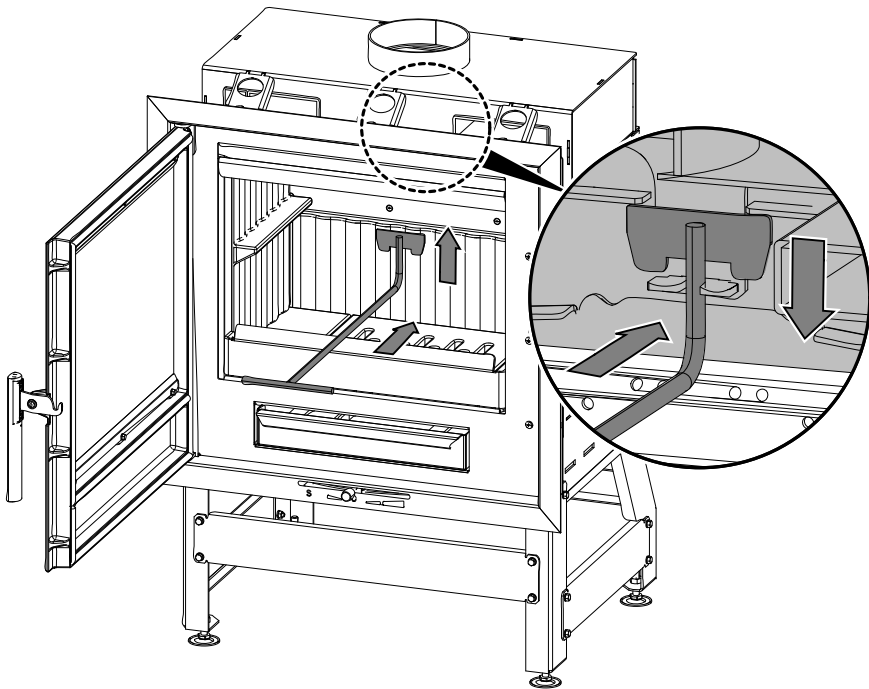
IMPORTANT

It is recommended to clean the surfaces with the drawbar of the cleaning at least once a year (e.g. before the heating season), or even more frequently depending on how often the furnace is used.

1



2



3

