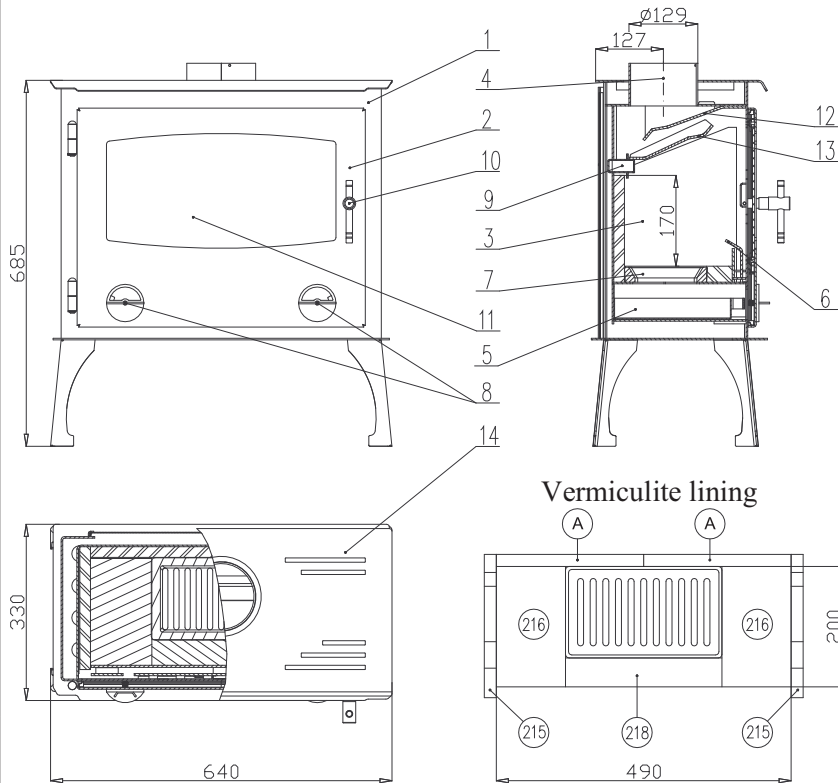




0470215111402a

HAAS+SOHN

TECHNICAL SHEET
of the fireplace stove
Nordic



Suitable fuel:

As concerns suitable fuel to be employed, see the chapter **2.2 Fuel** in the General Manual of Operation.

Proper operation:

As concerns the proper and safe operation of the fireplace stove, see the chapters **2. Description of the combustion process** and **5. Operating instructions** in the General Manual of Operation.

Fire-clay No.	Dimension	Goods No.
215	20x235x290	0050500560005
216	30x115x195	0050102160005
A	20x200x245	0470515005505
218	30x43x260	0050102170005

TECHNICAL DESCRIPTION:

Pos.	Name	Goods No.	Pos.	Name	Goods No.
1	Stove body	-	9	Intake of tertiary air	-
2	Fire-box door	0470215015300	10	Lever lock of the fire-box door	0470215005310
3	Vermiculite lining	-	11	Refractory glass	0470215005301
4	Smoke flue neck	-	12	Upper lip - fixed	-
5	Ash pan	0470515005600	13	Lower lip - loose	0470215005002
6	Protection	0470215005008	14	Lid	-
7	Cast-iron grate	0020100130005			
8	Controller of primary air	0470215005302		Sealing cord of the door 8 mm	0040008080005
8	Controller of secondary air	0470215005302		Sealing cord of the glass 10x4 mm	0040210040005



0470215111402a

HAAS+SOHN**TECHNICAL INFORMATION****INSTRUCTIONS FOR THE CONTROL OF COMBUSTION PROCESS:**

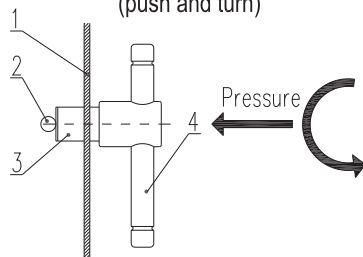
Fuel	Output of the heating device							
	100%	33%	100%	33%	100%	33%	100%	33%
	Amount of fuel		Primary air		Secondary air		Tertiary air	
Blockwood	2,7 kg/h	0,9 kg/h	open 100%	open 33%	open 100%	open 33%	non-controllable	
Ecological briquettes	2,6 kg/h	0,9 kg/h	open 100%	open 33%	open 100%	open 33%	non-controllable	
Coal briquettes	2,2 kg/h	0,7 kg/h	open 100%	open 33%	open 100%	open 33%	non-controllable	

TECHNICAL DATA:	Blockwood	Ecological briquettes	Coal briquettes		
Achieved heat output (100%)	8,7 kW	7,8 kW	7,9 kW	Height	685 mm
Nominal heat output	8,5 kW	8 kW	8 kW	Width	640 mm
Reduced heat output (33%)	2,9 kW	2,6 kW	2,6 kW	Depth	330 mm
Maximum stoking amount of the fuel	2,7 kg/h	2,6 kg/h	2,2 kg/h	Weight	65 kg
Average temperature of combustion products behind the smoke flue neck	236 °C	343 °C	300 °C	Diameter of the smoke flue	130 mm
Maximum mass flow of dry combustion products	9,1 g/s	9,6 g/s	10,8 g/s	Min. chimney stack draught in the smoke flue neck	12 Pa
Energy efficiency	77,6 %	67,3 %	68,3 %	Heating capacity (middle heat losses) at 8,7 kW	cca. 160 m ³
Average concentration of CO ₂	7,8 %	8,1 %	7,1 %	Range of outputs	2,6 – 8,7 kW
Concentration of CO in combustion products at 13 % O ₂	0,65 %	0,09 %	0,17 %		
Tested in compliance with EN 13 240:2001/A2:2004				CE	

**DIMENSIONED DIAGRAM OF THE FIREPLACE STOVE WITH
INSTALLATION OF KNEE-PIECE FOR EXHAUST OF COMBUSTION
PRODUCTS, DELIVERED AS OPTIONAL ACCESSORY**

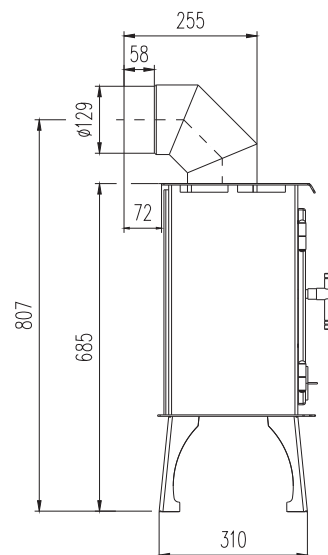
Crank control

(push and turn)



Legend:

1. Fire-box door
2. Door closing
3. Axis
4. Crank

**Air regulator****View of the left regulator**