



0470315001402d

HAAS+SOHN

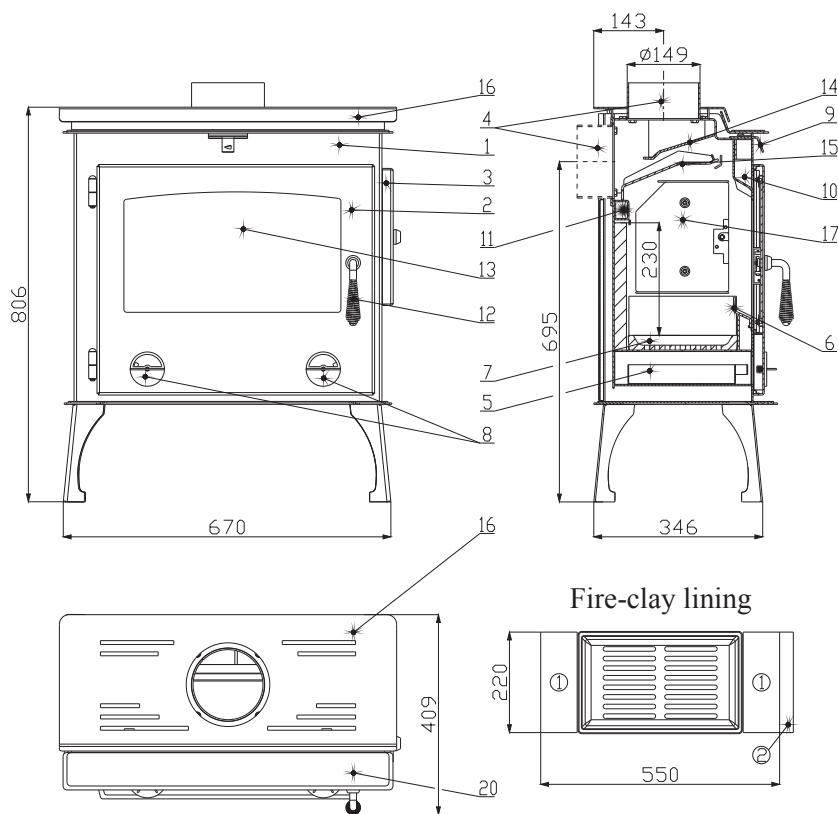
TECHNICAL DOCUMENTATION

Arctic





TECHNICAL SHEET of the fireplace stove **Arctic**



Suitable fuel:

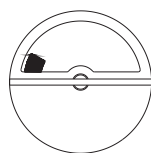
As concerns suitable fuel to be employed, see the chapter **2.2 Fuel** in the General Manual of Operation.

Proper operation:

As concerns the proper and safe operation of the fireplace stove, see the chapters **2. Description of the combustion process** and **5. Operating instructions** in the General Manual of Operation.

Fire-clay No.	Dimension	Item No.
1	30x80x220	0470315005510
2	30x110x220	0470315005511

Air regulator View of the left regulator



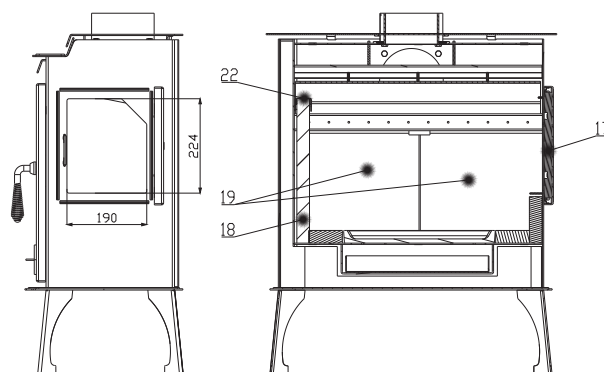
blockwood
open 10 %



ecological briquettes
open 60 %



coal briquettes
open 90 %



TECHNICAL DESCRIPTION:

Position	Name	Item No.	Position	Name	Item No.
1	Stove body	-	22	Holder of the vermiculite	0420015107001
2	Fire-box door	0470315005300			
3	Lateral fire-box door	0470315005310			
4	Smoke flue neck	0470315007007			
5	Ash pan	0433017005600			
6	Protection	0470315007001			
7	Cast-iron grate	0020100100006			
8	Controller of primary and secondary air I	0470215005302			
9	Controller of secondary air II	0470315007005			
10	Intake of secondary air	-			
11	Intake of tertiary air	-			
12	Lever lock of the fire-box door	0470315007100			
13	Refractory glass	0470315005301			
14	Upper deflector - fixed	-			
15	Lower deflector - loose	0470315007700			
16	Lid	0470315007800			
17	Plate (vermiculite)	0470315005311			
18	Lateral plate (vermiculite)	0470315005712		Sealing cord of the door 8 mm (2570 mm)	0040012120005
19	Rear plate (vermiculite)	0470315005711		Sealing cord of the side door 8 mm (980 mm)	0040012120005
20	Lid 1	0470315007810		Sealing cord of the glass 10x4 (1430 mm)	0040210040005
21	Blind flange	0470315007002		Glass holder sealing rope 8x2 mm (96 mm)	0040208020005



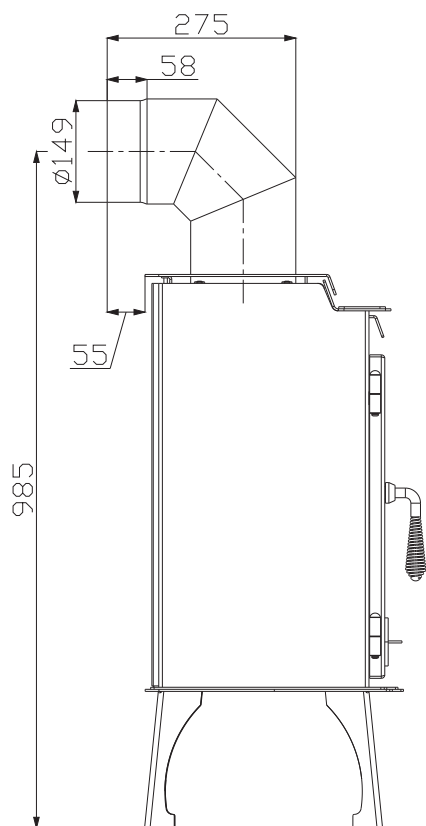
TECHNICAL INFORMATION

INSTRUCTIONS FOR THE CONTROL OF COMBUSTION PROCESS:

Fuel	Output of the heating device							
	100%	33%	100%	33%	100%	33%	100%	33%
	Amount of fuel		Primary and secondary air I		Secondary air II		Tertiary air	
Wood logs	3,6 kg/h	1,2 kg/h	open 10 %	open 10 %	open 100 %	open 50%	non-controllable	

TECHNICAL DATA:		Wood logs				
Achieved heat output (100%)		12,1 kW			Height	806 mm
Nominal heat output		12 kW			Width	670 mm
Reduced heat output (33%)		4 kW			Depth	346 mm
Maximum stoking amount of the fuel		3,5 kg/hod			Diameter of the smoke flue	150 mm
Average temperature of combustion products behind the smoke flue neck		273 °C			Weight	92 kg
Maximum mass flow of dry combustion products		9,9 g/s			Min. chimney stack draught in the smoke flue neck	12 Pa
Energy efficiency		80,1 %			Heating capacity (middle heat losses) at 12 kW	cca. 216 m ³
Average concentration of CO ₂		10,3 %			Controllable output	3,4 – 12,1 kW
Concentration of CO in combustion products at 13 % O ₂		0,04 %				
The amount of combustion air at nominal output		10 m ³ /kg				
Tested in compliance with ČSN EN 13240						

DIMENSIONED DIAGRAM OF THE FIREPLACE STOVE WITH INSTALLATION OF KNEE-PIECE FOR EXHAUST OF COMBUSTION PRODUCTS, DELIVERED AS OPTIONAL ACCESSORY



SMOKE FLUE NECK (CHANGE)

