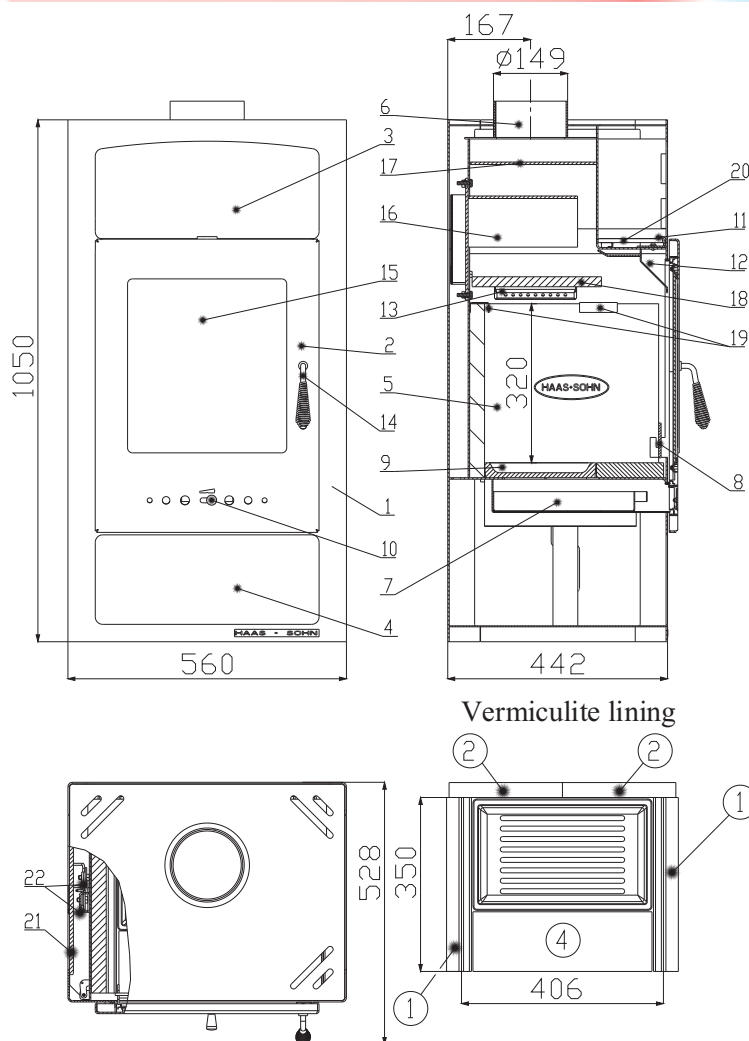


TECHNICAL SHEET  
of the fireplace stove  
**Adria II**



**Suitable fuel:**

As concerns suitable fuel to be employed, see the chapter **2.2 Fuel** in the General Manual of Operation.

**Proper operation:**

As concerns the proper and safe operation of the fireplace stove, see the chapters **2. Description of the combustion process** and **5. Operating instructions** in the General Manual of Operation.

**An exchanger can be added additionally.**

Ordering number of the shaped block	Dimension	Ordering number of the shaped block	Dimension
1	350x350x50		
2	350x228x30		
4	355x135x30		

**INSTRUCTIONS FOR THE CONTROL OF COMBUSTION PROCESS:**

Fuel	Output of the heating device		Output of the heating device		Output of the heating device		Output of the heating device	
	100%	33%	100%	33%	100%	33%	100%	33%
	Amount of fuel		Primary air		Secondary air		Tertiary air	
<b>Blockwood</b>	2,8 kg/h	0,9 kg/h	shut	open 5%	open 50%	open 10%	open 100%	open 100%
<b>Ecological briquettes</b>	2,7 kg/h	0,9 kg/h	open 10%	open 10%	open 50%	open 10%	open 100%	open 100%
<b>Coal briquettes</b>	1,9 kg/h	0,6 kg/h	open 50%	open 10%	open 50%	open 10%	open 100%	open 100%

**TECHNICAL DESCRIPTION:**

Position	Name	Position	Name	Position	Name
1	Stove body	10	Controller of primary air	19	Holder of the fire-clay
2	Fire-box door	11	Controller of secondary air	20	Lining of the oven
3	Oven	12	Intake of secondary air	21	Lateral lining
4	Fuel bunker	13	Intake of tertiary air	22	Spring holder of the lining
5	Vermiculite lining	14	Lever lock of the fire-box door		
6	Smoke flue neck	15	Refractory glass		
7	Ash pan	16	Blinding element with shutter		
8	Protection	17	Lip - fixed	Sealing cord of the door 8 mm	
9	Cast-iron grate	18	Lip - loose	Sealing cord of the glass and of the blind flange 10x4 mm	

**TECHNICAL DATA:**

	Wood	Ecological briquettes	Coal briquettes		
Achieved heat output (100%)	10,2 kW	9,8 kW	10,1 kW	Height	1050 mm
Nominal heat output	10 kW	10 kW	10 kW	Width	560 mm
Reduced heat output (33%)	3,4 kW	3,2 kW	3,3 kW	Depth	442 mm
Maximum stoking amount of the fuel	2,8 kg/h	2,7 kg/h	1,9 kg/h	Diameter of the smoke flue	150 mm
Average temperature of combustion products behind the smoke flue neck	214 °C	223 °C	193 °C	Weight	122 kg
Maximum mass flow of dry combustion products	11,1 g/s	11 g/s	11,8 g/s	Min. chimney stack draught in the smoke flue neck	12 Pa
Energy efficiency	79,6 %	78,9 %	81,1 %	Heating capacity (middle heat losses) at 10,2 kW	cca. 184 m <sup>3</sup>
Average concentration of CO <sub>2</sub>	7,7	7,6	6,8	Range of outputs	3,2 - 10,2 kW
Concentration of CO in combustion products	0,13	0,06	0,11		

JK 04 310 15 04 14 02  
04062008-GB

**HAAS+SOHN**  
HAAS+SOHN Rukov, s.r.o. • [www.haassohn-rukov.cz](http://www.haassohn-rukov.cz)

**DIMENSIONED DIAGRAM OF THE FIREPLACE STOVE WITH INSTALLATION OF  
KNEE-PIECE FOR EXHAUST OF COMBUSTION PRODUCTS, DELIVERED AS  
OPTIONAL ACCESSORY**

