



JK 04 313 17 02 14 01
29072010c-GB

HAAS+SOHN

TECHNICAL DOCUMENTATION

Grand Max plus

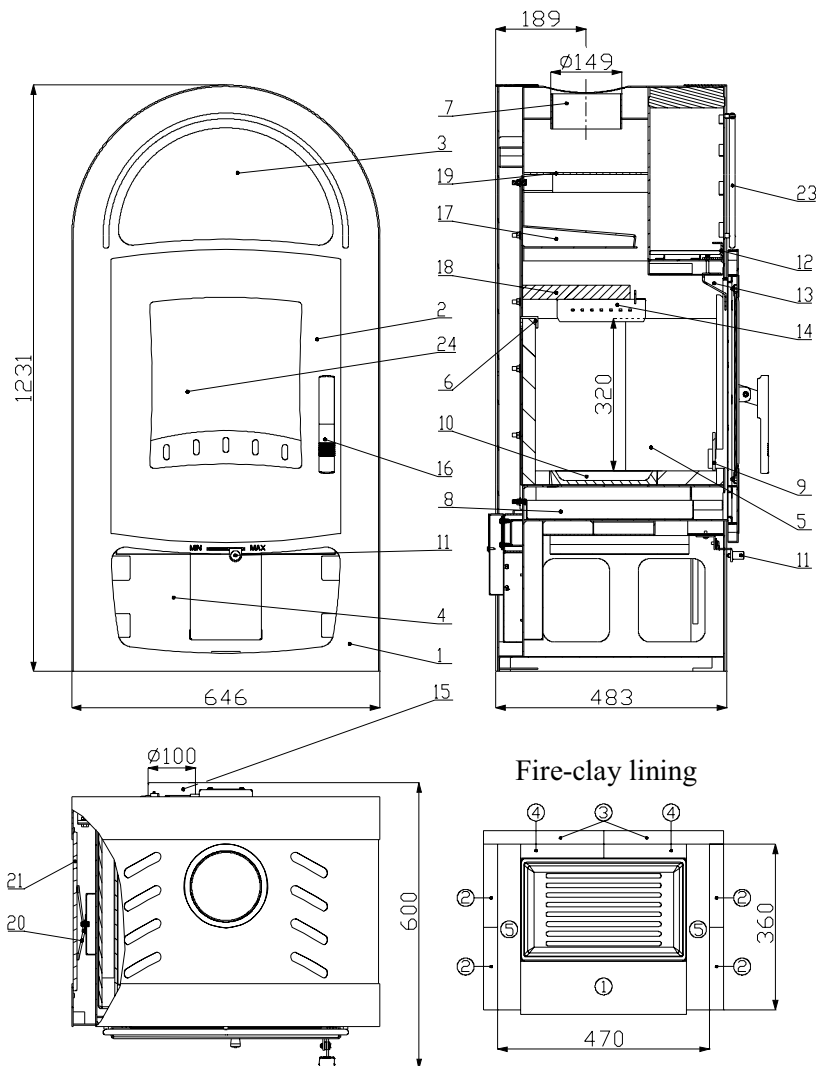




JK 04 313 17 02 14 01
29072010c-GB

HAAS+SOHN

TECHNICAL SHEET
of the fireplace stove
Grand Max plus



Suitable fuel:

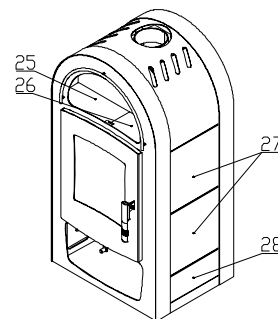
As concerns suitable fuel to be employed, see the chapter **2.2 Fuel** in the General Manual of Operation.

Proper operation:

As concerns the proper and safe operation of the fireplace stove, see the chapters **2. Description of the combustion process** and **5. Operating instructions** in the General Manual of Operation.

Optional: additional heat exchange unit and cooling loop.

Fire-clay No.	Dimension	Goods No.
1	30x125x360	0431317015501
2	30x180x350	0431317015502
3	30x260x340	0431317015503
4	30x30x179	0431317015504
5	30x55x360	0431317015505



TECHNICAL DESCRIPTION:					
Position	Name	Goods No.	Position	Name	Goods No.
1	Stove body	-	23	Decorative arch	0084010040005
2	Fire-box door	0431317015300	24	Refractory glass	0473017105301
3	Oven	-	25	Oven panelling - left/beige	0431317006111
4	Fuel bunker	-	26	Oven panelling - right/beige	0431317006112
5	Fire-clay lining	-	27	Panelling/beige	0061001000205
6	Holder of the fire-clay	0416315115501	28	Panelling - lower/beige	0431317006113
7	Smoke flue neck	-			
8	Ash pan	0464017116600			
9	Protection	0431317015008			
10	Cast-iron grate	0020100100006			
11	Controller of primary air	0082010010005			
12	Controller of secondary air	0431317005009			
13	Intake of secondary air	-			
14	Intake of tertiary air	-			
15	External intake of air (dia. 100)	-			
16	Lever lock of the fire-box door	0431317015318			
17	Blinding element with shutter	0431317005700			
18	Lip - loose	0431317015520			
19	Lip - fixed	-		Sealing cord of the door 14 mm (2220 mm)	0040014140005
20	Spring holder of the lining	0088400010005		Glass holder sealing rope 8x2 mm (96 mm)	0040208020006
21	Lining of the shell	-		Sealing cord of the glass and of the exchanger 10x4 mm (1380/2650 mm)	0040210040005



TECHNICAL INFORMATION

INSTRUCTIONS FOR THE CONTROL OF COMBUSTION PROCESS:

Fuel	Output of the heating device							
	100%	33%	100%	33%	100%	33%	100%	33%
	Amount of fuel		Primary air		Secondary air		Tertiary air	
Blockwood	3,5 kg/h	1,2 kg/h	closed	closed	open 100%	open 50%	non-controllable	
Ecological briquettes	3,2 kg/h	1,1 kg/h	open 5%	open 5%	open 100%	open 50%	non-controllable	
Coal briquettes	2,2 kg/h	0,7 kg/h	open 100%	open 50%	open 100%	open 50%	non-controllable	

TECHNICAL DATA:	Blockwood	Ecological briquettes	Coal briquettes		
Achieved heat output (100%)	13 kW	12 kW	10,5 kW	Height	1231 mm
Nominal heat output	13 kW	12 kW	10,5 kW	Width	646 mm
Reduced heat output (33%)	4,3 kW	4 kW	3,5 kW	Depth	483 mm
Maximum stoking amount of the fuel	3,5 kg/h	3,2 kg/h	2,2 kg/h	Diameter of the smoke flue	150 mm
Average temperature of combustion products behind the smoke flue neck	357 °C	331 °C	306 °C	Weight	185 kg
Maximum mass flow of dry combustion products	8,3 g/s	8,8 g/s	12,8 g/s	Min. chimney stack draught in the smoke flue neck	12 Pa
Energy efficiency	83,4 %	83,5 %	72,4 %	Heating capacity (middle heat losses) at 13 kW	cca. 234 m ³
Average concentration of CO ₂	12,5	11,2	6,8	Range of outputs	3,5 - 13 kW
Concentration of CO in combustion products at 13 % O ₂	0,13	0,10	0,09		
The amount of combustion air at nominal output	6,6 m ³ /kg	7,6 m ³ /kg	18 m ³ /kg		

Tested in compliance with EN 13 240:2001/A2:2004 a CSN 06 1008:1997

DIMENSIONED DIAGRAM OF THE FIREPLACE STOVE WITH INSTALLATION OF KNEE-PIECE FOR EXHAUST OF COMBUSTION PRODUCTS, DELIVERED AS OPTIONAL ACCESSORY

