



0618018061402f

HAAS+SOHN

TECHNICAL DOCUMENTATION

JONAVA IV

SET GENOVA II

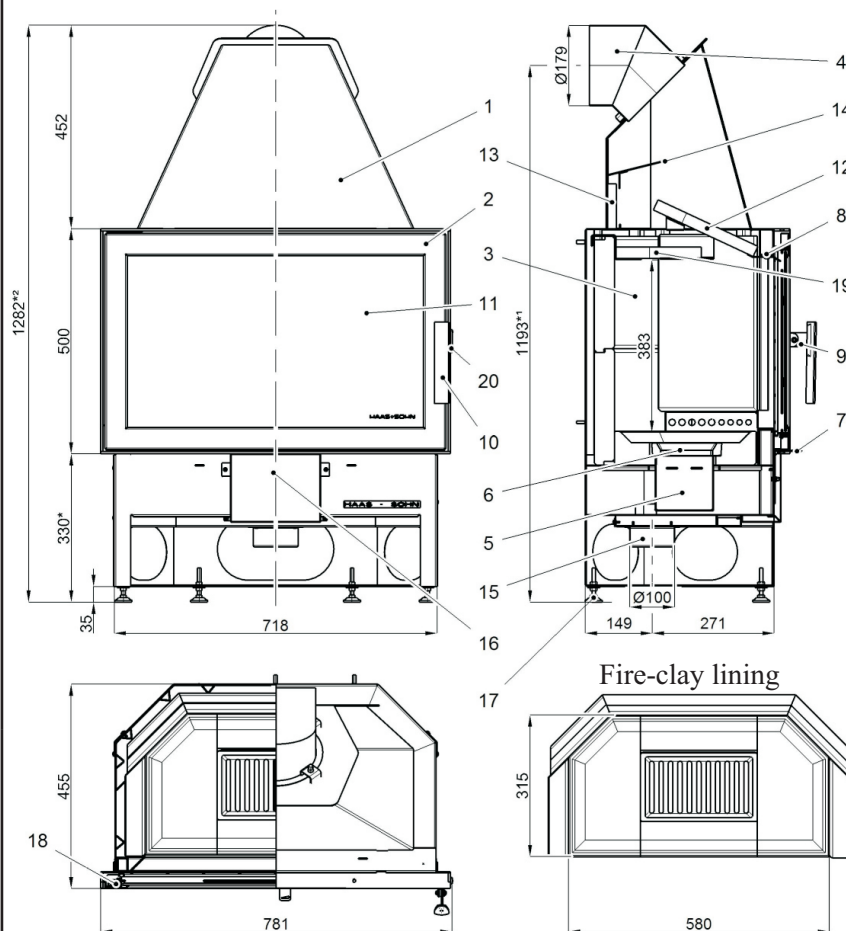


SET TOSKANA





TECHNICAL SHEET for fireplace insert **Jonava IV**



Suitable fuel:

As concerns suitable fuel to be employed, see the chapter **2.2 Fuel** in the General Manual of Operation.

Proper operation:

As concerns the proper and safe operation of the fireplace stove, see the chapters **2. Description of the combustion process** and **5. Operating instructions** in the General Manual of Operation.

Warning: When the Genua II fireplace enclosure is used, the dimension is changed to **380*, 1243*1, 1328*2 mm.**

TECHNICAL DESCRIPTION:

| Poz. | Name | Goods No. | Poz. | Name | Goods No. |
|------|-----------------------------------|---------------|------|------|-----------|
| 1 | Insert body | - | | | |
| 2 | Fire-box door | 0618018506200 | | | |
| 3 | Fire-clay lining | - | | | |
| 4 | Smoke flue neck (adjustable) | 0618018016002 | | | |
| 5 | Ash pan | 0618018005600 | | | |
| 6 | Cast-iron grate | 0020100130006 | | | |
| 7 | Controller of primary air | - | | | |
| 8 | Intake of secondary air | - | | | |
| 9 | Crank | 0618516075310 | | | |
| 10 | Handrail of the Crank | 0420114005371 | | | |
| 11 | Refractory glass | 0618018025301 | | | |
| 12 | Middle lip - loose | 0050500040005 | | | |
| 13 | Rear lip - loose | 0050500050005 | | | |
| 14 | Upper lip - fixed | - | | | |
| 15 | External intake of air (dia. 100) | 0088500050008 | | | |
| 16 | Additional suction | 0618618015823 | | | |
| 17 | Adjustable foot | 0089000020005 | | | |
| 18 | Spring of door shutting | 0088400060005 | | | |
| 19 | Lower lip - loose | 0618618005036 | | | |
| 20 | Pivot of door closing | 0618118047030 | | | |

Special warning!

In order to ensure the correct functioning of the fireplace insert it is necessary to secure the sufficient supply of air for combustion in the amount of almost 15m³/hour. The best way to do it is to connect the branch of the external air supply (pos. 15) from the outdoor space.

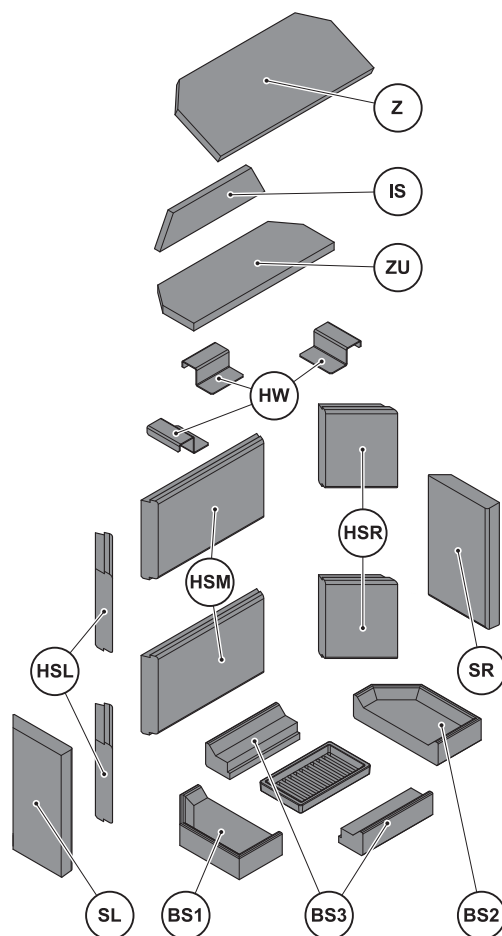


INSTRUCTIONS FOR THE CONTROL OF COMBUSTION PROCESS:

| Fuel | Output of the heating device | | Output of the heating device | | Output of the heating device | |
|------------------|------------------------------|----------|------------------------------|----------|------------------------------|-----------|
| | 100% | 33% | 100% | 33% | 100% | 33% |
| | Amount of fuel | | Primary air | | Secondary air | |
| Blockwood | 2,33 kg/h | 0,8 kg/h | open 100% | open 50% | open 100% | open 100% |

| TECHNICAL DATA: | Wood | | | | |
|---|-----------|--|--|---|-------------------------|
| Achieved heat output (100%) | 8,3 kW | | | Height | 1282 mm |
| Nominal heat output | 8 kW | | | Width | 781 mm |
| Reduced heat output (33%) | 2,8 kW | | | Depth | 455 mm |
| Maximum stoking amount of the fuel | 2,33 kg/h | | | Diameter of the smoke flue | 180 mm |
| Average temperature of combustion products behind the smoke flue neck | 267 °C | | | Weight | 148 kg |
| Maximum mass flow of dry combustion products | 7,9 g/s | | | Min. chimney stack draught in the smoke flue neck | 12 Pa |
| Energy efficiency | 80,3 % | | | Heating capacity (middle heat losses) at 8,3 kW | cca. 150 m ³ |
| Average concentration of CO ₂ | 9,9 % | | | Range of outputs | 2,8 – 8,3 kW |
| Concentration of CO in combustion products at 13 % O ₂ | 0,1 % | | | | |
| | | | | | |
| | | | | CE | |
| Tested in compliance with EN 13229 / RRF – 29 12 3110 | | | | | |

Installation of furnace lining



Composition of fire clay bricks

| Designation: | number | Goods No. | Designation: | number | Goods No. |
|----------------------------|--------|---------------|------------------------|--------|---------------|
| BS1 (brick bottom left) | 1 | 0050110490005 | HSR (brick rear right) | 2 | 0050110070005 |
| BS2 (brick bottom right) | 1 | 0050110500005 | HSL (brick rear left) | 2 | 0050110140005 |
| BS3 (brick central bottom) | 2 | 0050110480005 | IS (shade rear) | 1 | 0050500050005 |
| SR (brick side right) | 1 | 0050110120005 | Z (shade) | 1 | 0050500040005 |
| SL (brick side left) | 1 | 0050110110005 | HW (shade holder) | 3 | 0618618005035 |
| HSM (brick rear central) | 2 | 0050110060005 | ZU (bottom shade) | 1 | 0618618005036 |