



0618516571410b

HAAS+SOHN

TECHNICAL DOKUMENTATION MALVIK IV



ASSEMBLY RHONE



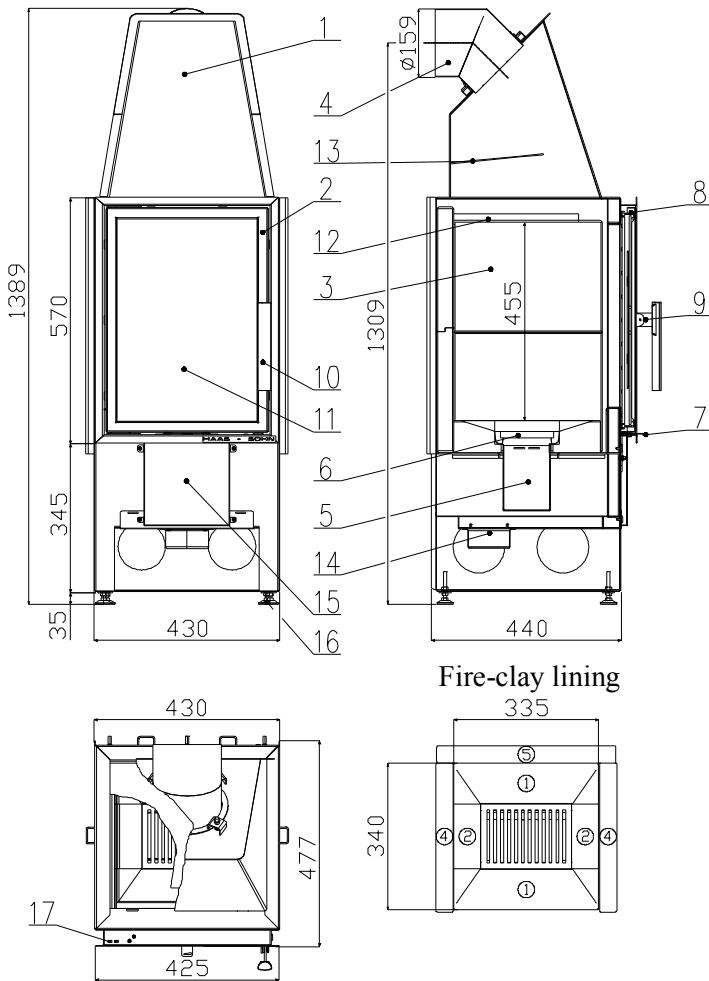
ASSEMBLY ELSASS





02042015-GB

HAAS+SOHN



Technical sheet of the fireplace stove **Malvik IV**

Suitable fuel:

As concerns suitable fuel to be employed, see the chapter **2.2 Fuel** in the General Manual of Operation.

Proper operation:

As concerns the proper and safe operation of the fireplace stove, see the chapters **2. Description of the combustion process** and **5. Operating instructions** in the General Manual of Operation.

Fire-clay No.	Dimension	Goods No.
5	415x290x40	0050110030005
4	345x280x40	0050110040005
2	150x75x62	0050110020005
1	335x110x75	0050110510005

TECHNICAL DESCRIPTION:

Pos.	Name	Goods No.	Pos.	Name	Goods No.
1	Insert body	-			
2	Fire-box door	0618516075300			
3	Fire-clay lining	-			
4	Smoke flue neck (adjustable)	0618418006005			
5	Ash pan	0618516005600			
6	Cast-iron grate	0020100080006			
7	Controller of primary air	-			
8	Intake of secondary air	-			
9	Lever lock of the fire-box door	0618516075310			
10	Handle crank	0423017005371			
11	Refractory glass	0618516065304			
12	Lower lip - loose (vermiculite)	0050500030005			
13	Upper lip - fixed	-			
14	External intake of air (dia. 100)	0088500050008			
15	Front cover	0618516035006			
16	Adjustable foot	0089000020005			
17	Spring of door shutting	0088400060005			
				Sealing cord of the door 10 mm (1620 mm)	0040300100005
				Sealing cord of the glass 10 mm (1640 mm)	0040300100005
				Glass holder sealing rope 8x2 mm (640 mm)	0040208020005
				Flue gas duct packing cord 10x4 mm (550 mm)	0040210040005

Special warning!

In order to ensure the correct functioning of the fireplace insert it is necessary to secure the sufficient supply of air for combustion in the amount of almost 15m³/hour. The best way to do it is to connect the branch of the external air supply (pos. 14) from the outdoor space.



02042015-GB

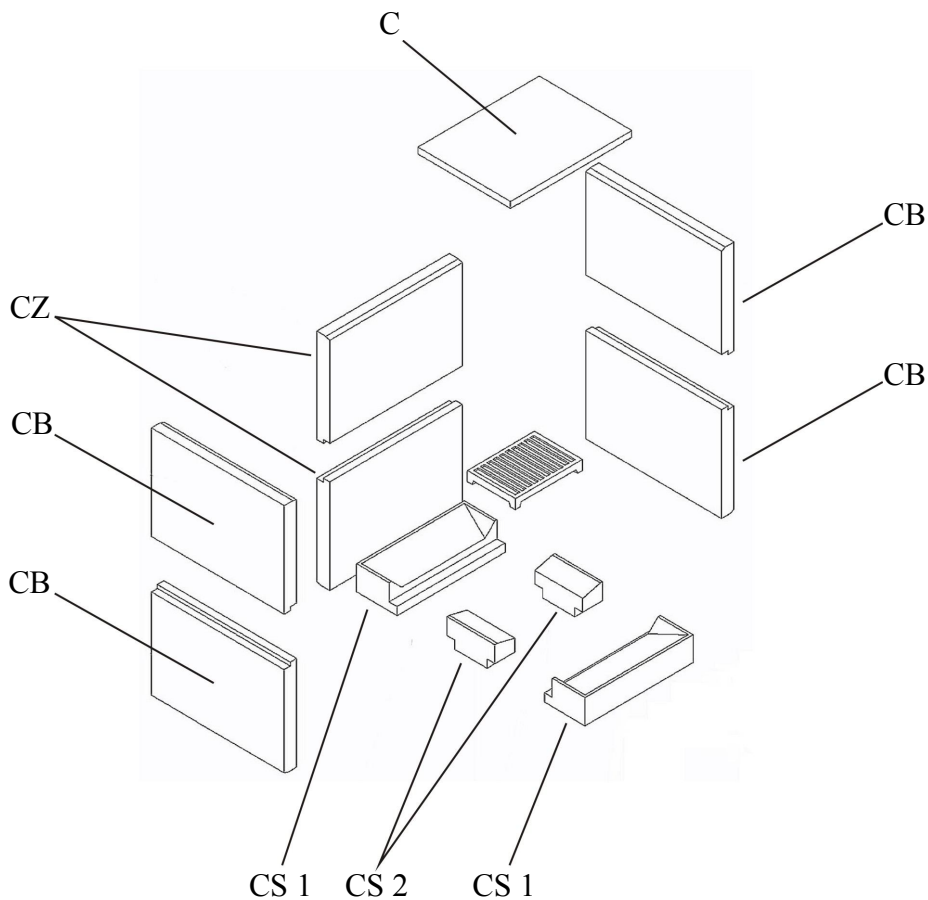
HAAS+SOHN

TECHNICAL INFORMATION

INSTRUCTIONS FOR THE CONTROL OF COMBUSTION PROCESS:							
Fuel	Output of the heating device		Output of the heating device		Output of the heating device		
	100%	33%	100%	33%	100%	33%	
	Amount of fuel		Primary air		Secondary air		
Blockwood	2 kg/h	0,7 kg/h	closed	closed	open 100 %	open 100 %	

TECHNICAL DATA:		Wood			
Achieved heat output (100%)	7,5 kW			Height	1389 mm
Nominal heat output	7 kW			Width	430 mm
Reduced heat output (33%)	2,5 kW			Depth	440 mm
Maximum stoking amount of the fuel	2 kg/hod			Diameter of the smoke flue	160 mm
Average temperature of combustion products behind the smoke flue neck	320 °C			Weight	120 kg
Maximum mass flow of dry combustion products	5,9 g/s			Min. chimney stack draught in the smoke flue neck	12 Pa
Energy efficiency	80,4 %			Heating capacity (middle heat losses) at 7,5 kW	cca. 135 m ³
Average concentration of CO ₂	10,7			Range of outputs	2,4 – 7,5 kW
Concentration of CO in combustion products at 13% O ₂	375 mg/Nm ³				
Dust at 13% O ₂	21 mg/Nm ³				
Tested in compliance with EN 13229				CE	

INSTALLATION OF HEARTH LINING



Composition of fireclay bricks			
Fire-clay No.	type:	Number:	Goods No.
1	CS 1 (Bottom brick 1)	2	0050110510005
2	CS 2 (Bottom brick 2)	2	0050110020005
4	CB (Side brick)	4	0050110040005
5	CZ (Rear brick)	2	0050110030005
-	C (Lip)	1	0050500030005