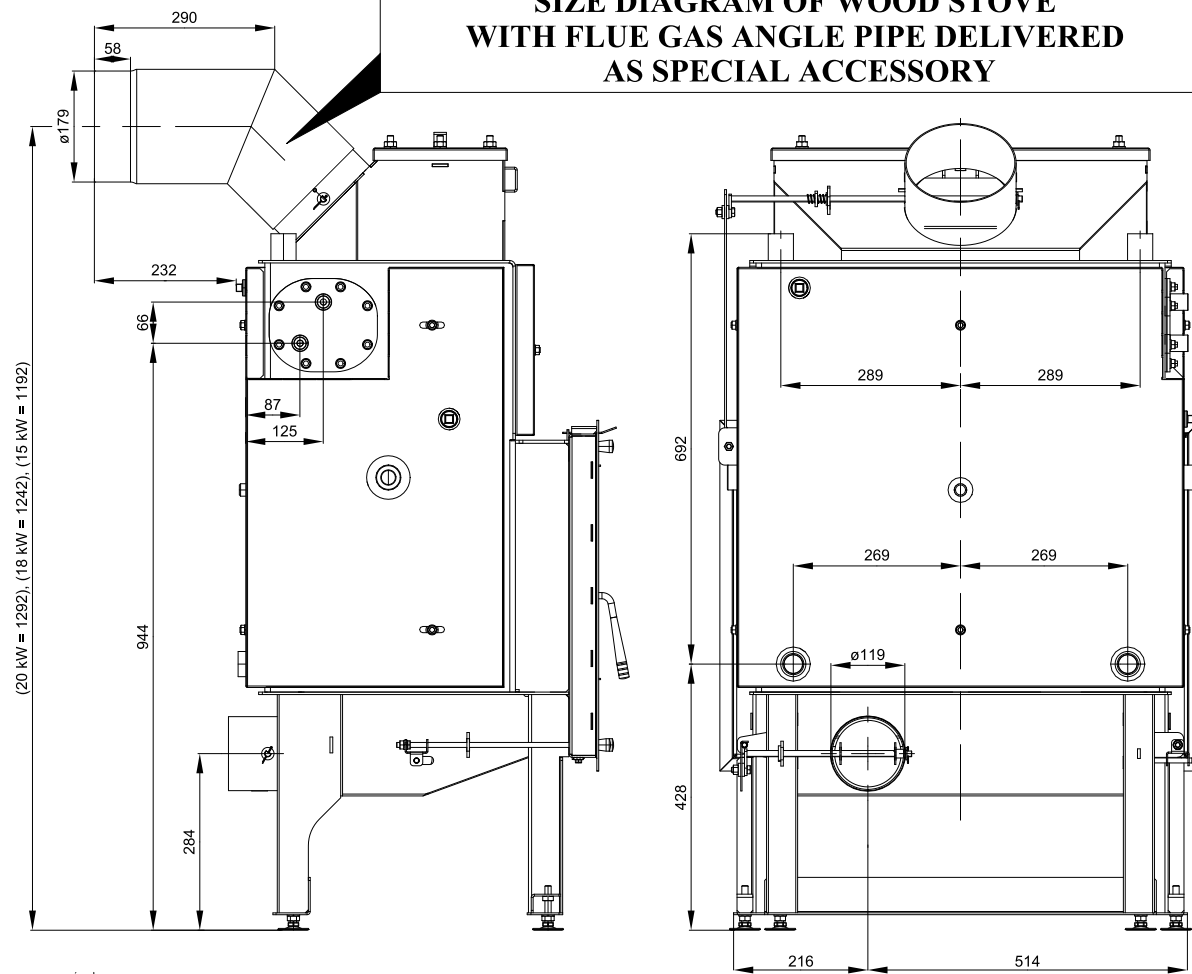
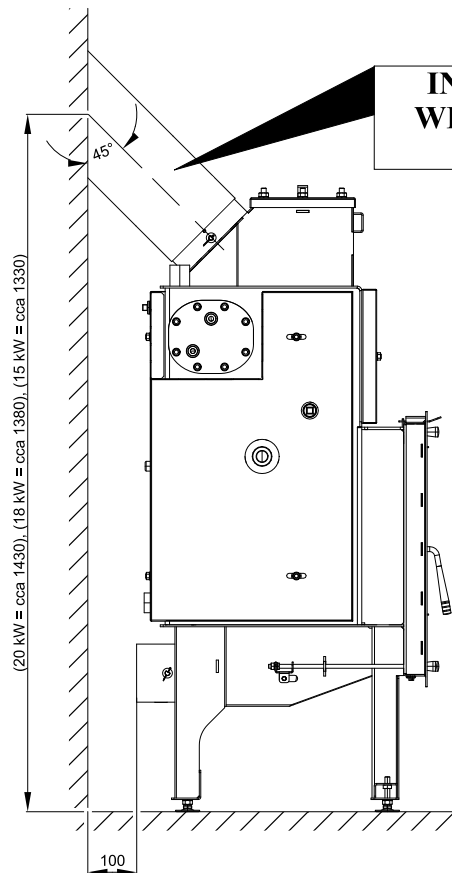




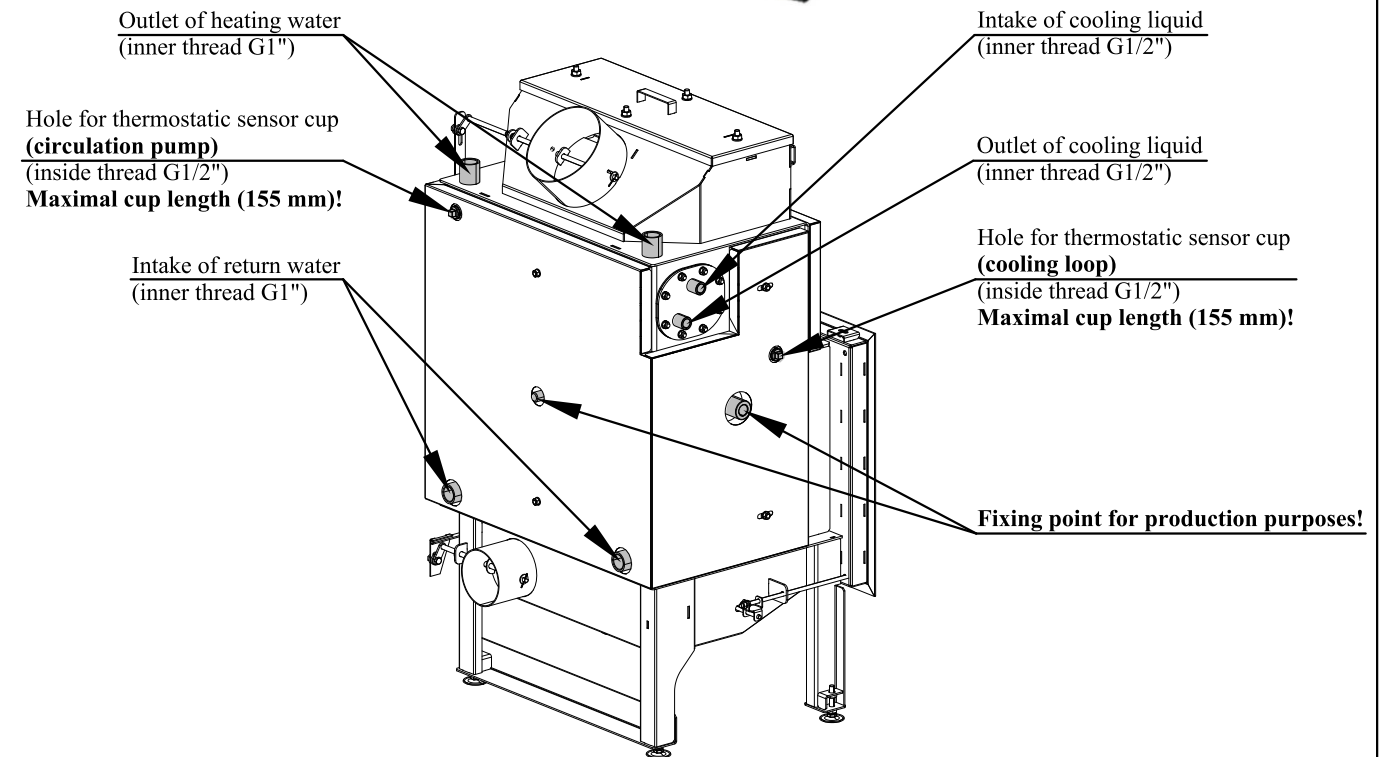
SIZE DIAGRAM OF WOOD STOVE WITH FLUE GAS ANGLE PIPE DELIVERED AS SPECIAL ACCESSORY

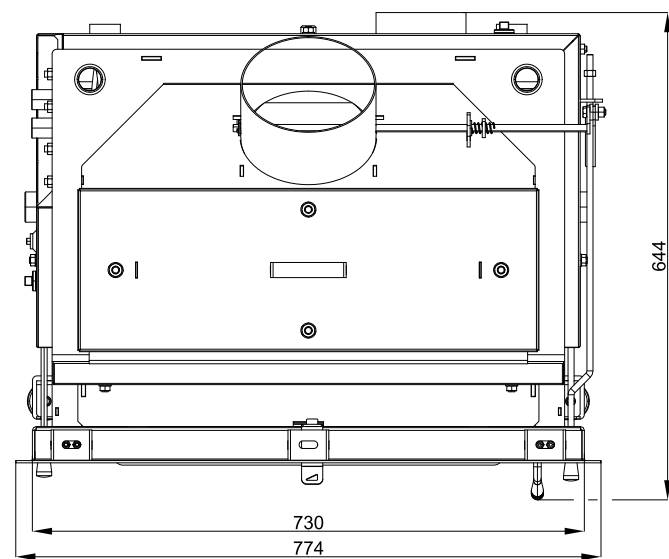
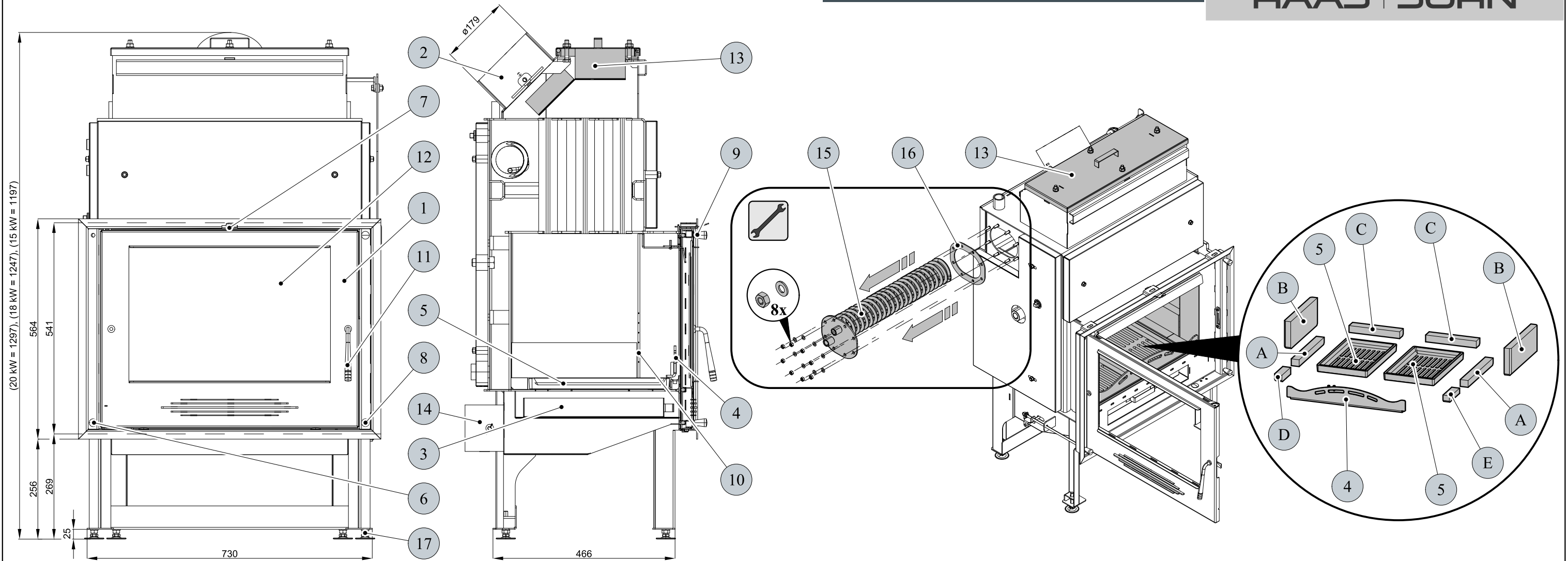


INFORMATIVE SIZE DIAGRAM OF WOOD STOVE WITH FLUE GAS PIPE INSTALLATION DELIVERED AS SPECIAL ACCESSORY

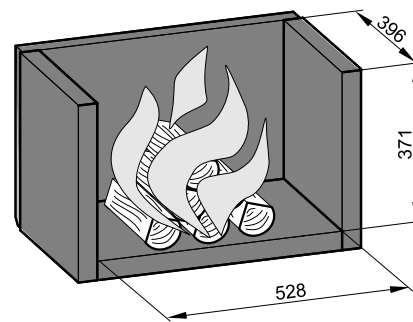


TECHNICAL SHEET for fireplace insert Vesuvio 20, 18, 15 with exchanger





Informative furnace size



TECHNICAL DESCRIPTION:					
Position	Name	Goods No.	Position	Name	Goods No.
1	Fire-box door/anthracite colour	0619018005300	A	Brick 30x30x300	0619018005501
2	Smoke flue neck/anthracite colour	-	B	Brick 30x120x320	0619018005502
3	Ash pan	0619018005600	C	Brick 30x43x224	0619018005503
4	Protection/anthracite colour	0619018005700	D	Brick 30x30x105	0619018005504
5	Cast-iron grate/anthracite colour	0020100100005	E	Brick 30x30x105	0619018005505
6	Controller of primary air/chromium-plated	0082020030005			
7	Controller of secondary air	-			
8	Regulator of external air inlet/chromium-plated	0082020030005			
9	Regulator of chimney valve	0082020030005			
10	Tertiary air output	-			
11	Lever lock of the fire-box door/chromium-plated	0619018005315			
12	Refractory glass (373x550)	0619018005310			
13	Top cover	0619018015065			
14	External intake of air	-			
15	Coolant loop	0619018006010			
16	Loop sealing	0619018006012			
17	Set screw	0619018005060			
				Sealing cord of the door 12 mm (2650 mm)	0041012120005
				Sealing cord of the glass 10x4 mm (1800 mm)	0040210040005
				Glass holder sealing rope 8x2 mm (600 mm)	0040208020005
				Sealing string for the upper cover 10 mm (1585 mm)	0040010100005