

HAAS
+
SOHN

Vesuvio II/1S – II/2S

Equipment sheet
Fireplace insert

GB

Introduction

We thank you very much for purchasing our product!

The description of the heating device will inform you in detail about the design, technical specification and operation of the heating device. We recommend you to acquaint yourselves closely with these data. In this way, you will avoid possible faults during the proper assembly and operation.

You will find detailed conditions of installation and operation in General Manual of Operation (included in the scope of the delivery).

Notes in the text

GB



Of utmost importance there are the notes entitled **WARNING**. The notes entitled **WARNING** advise you on **serious danger of damage to the heating device or of an injury**.



The note entitled **Notice** advises you on possible damage to your heating device.



The note entitled **Important** calls your attention to the information important for the operation of your heating device.



The note itself calls your attention to the information important for the operation of your heating device in general.

Contents

1. Technical data	1
1.1. Suitable fuel, stoking amount of fuel	1
2. Technical description	2
3. List of spare parts	3
3.1. Overall scheme of the model	3
3.2. Detail A1	5
3.3. Detail A2	6
4. Easy control	7
5. Instructions for cleaning of the adapter	8

1. Technical data

	Block wood	
Achievable heat output (1S / 2S)	7,9 kW / 7,6 kW	
Nominal heat output (1S / 2S)	7,9 kW / 7,6 kW	
Energy efficiency (1S / 2S)	77,8 % / 75,4 %	
Average concentration of CO at 13% O ₂ (1S / 2S)	1061 mg/Nm ³ / 612 mg/Nm ³	734 mg/MJ / 424 mg/MJ
Average concentration of dust at 13% O ₂ (1S / 2S)	33 mg/Nm ³ / 33 mg/Nm ³	23 mg/MJ / 22 mg/MJ
Average concentration of NOx at 13% O ₂ (1S / 2S)	101 mg/Nm ³ / 92 mg/Nm ³	70 mg/MJ / 64 mg/MJ
Average concentration of OGC at 13% O ₂ (1S / 2S)	88 mg/Nm ³ / 56 mg/Nm ³	61 mg/MJ / 39 mg/MJ
Amount of combustion products (1S / 2S)	8,6 g/s / 8 g/s	
Temperature of combustion products in the smoke flue neck (1S / 2S)	292 °C / 338 °C	
Minimum draft of the chimney at nominal heat output	11 Pa	

1S = cast iron door, 2S = door with two glasses

1.1. Suitable fuel, stoking amount of fuel

Fuel	Max. stoking amount of fuel
Block wood:	1 – 2 logs (max. 2,4 kg)
Length of wood logs:	Max. 50 cm
Saw-dust briquettes (DIN51731):	—
Lignite briquette:	—

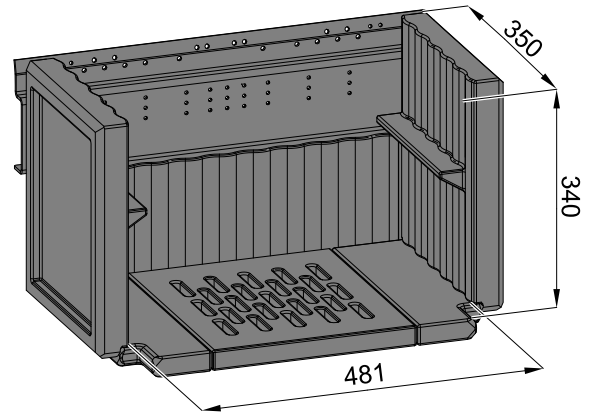
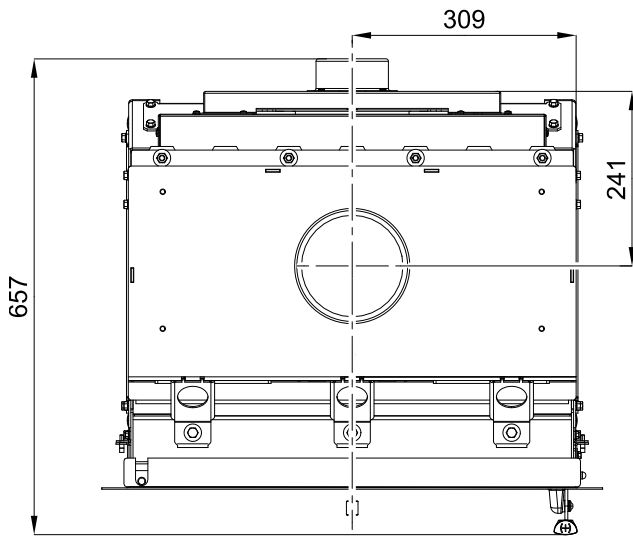
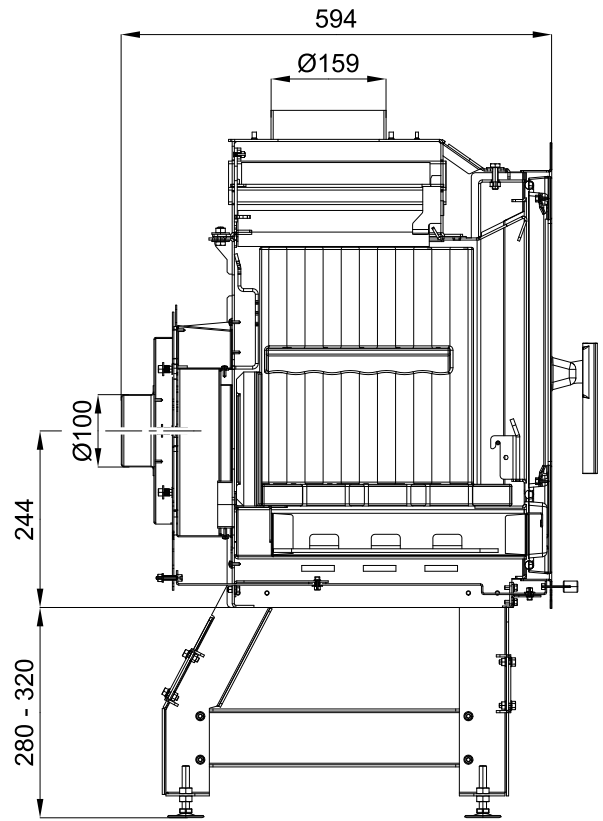
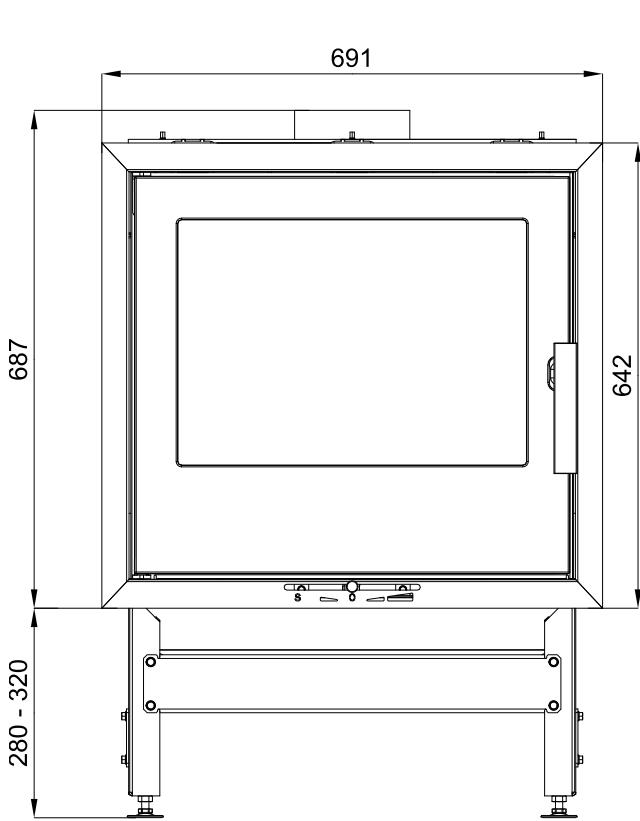


Note

When heating with wood stock, employ solely the types of wood which have been stored for two years and their residual humidity is at most 17 %.

2. Technical description

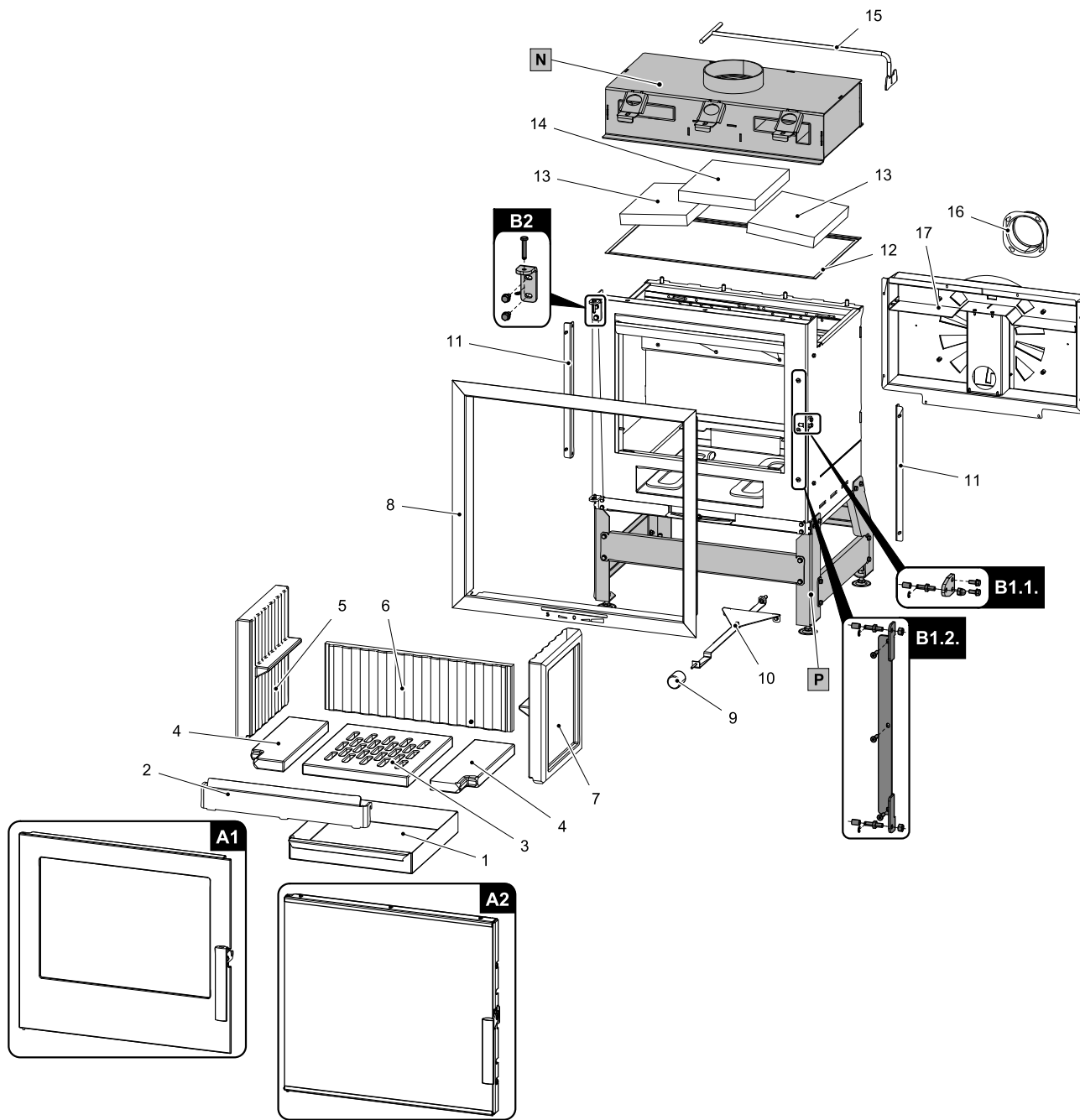
Technical description



GB

3. List of spare parts

3.1. Overall scheme of the model



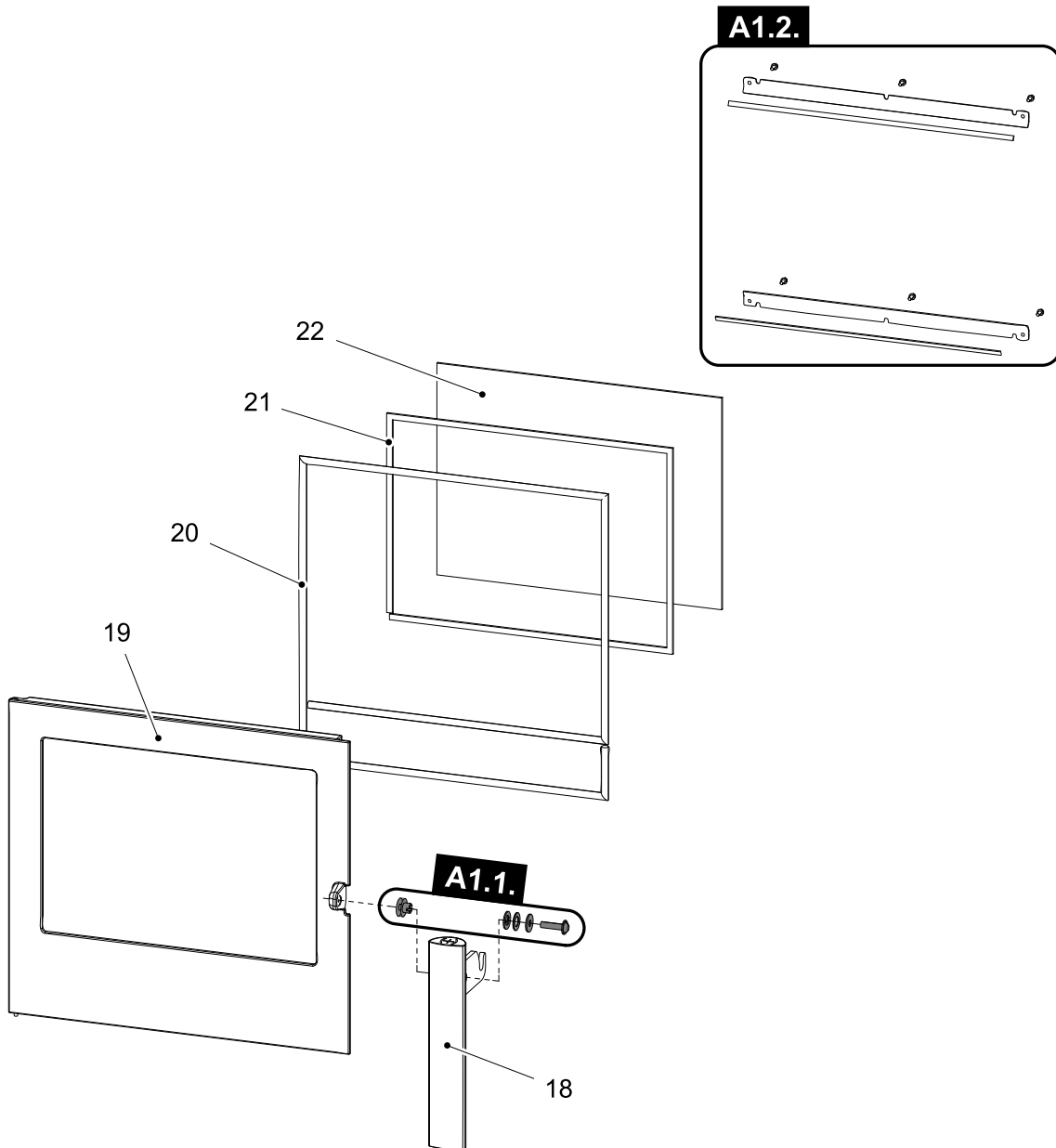
List of spare parts

GB

Overall scheme of the model			
Item	Name	Quantity	Number of goods
A1	Cast iron furnace door (complete)/black	1 piece	0619018155300
A2	Two-glass furnace door (complete)/black	1 piece	0619018165300
B1.1.	Door lock (complete) – door A1	1 piece	0619018165007

B1.2.	Locking bar (complete) – door A2	1 piece	0619018155017
B2	Strip connecting material (complete)	1 piece	0619018155005
1	Ashpan	1 piece	0432317005600
2	Protection/black	1 piece	0619018155006
3	Fire grate made of heat resistance concrete	1 piece	0619018155552
4	Refractory lining	2 piece	0619018155554
5	Refractory lining – left (85x295x342)	1 piece	0619018155551
6	Refractory lining – rear (35x185x530)	1 piece	0619018155553
7	Refractory lining – right (85x295x342)	1 piece	0619018155511
8	Frame/black	1 piece	0619018155400
9	Controller handle	1 piece	0420915005625
10	Control drawbar/black	1 piece	0619018155610
11	Frame lining/black	2 piece	0619018155404
12	Sealing cord of the exchanger 10x4 mm	3600 mm	0040210040005
13	Return draft board	2 piece	0619018155149
14	Return draft board	1 piece	0619018155148
15	Drawbar of the cleaning/black	1 piece	0619018157167
16	External air input (Ø100)	1 piece	0088500050008
17	Air module	1 piece	0619068156500
P	Base (optional accessory)	1 piece	0619018151300
N	Baffle modul/black	1 piece	0619018155150

3.2. Detail A1

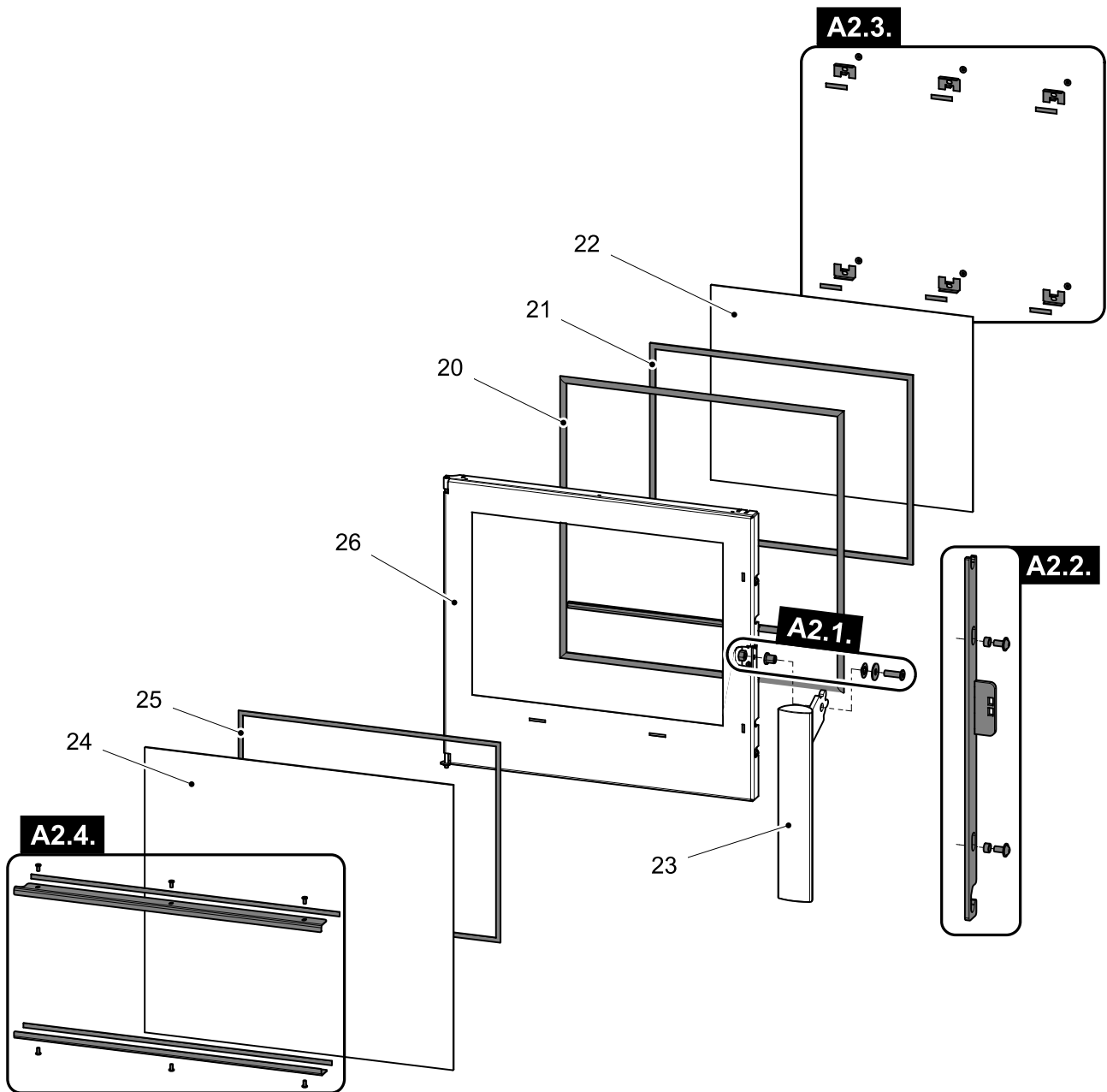


Detail A1			
Item	Name	Quantity	Number of goods
A1.1. + 18	Fire-box door lever lock (complete) + handle connecting material – set	1 piece	0420114017301
A1.2.	Glass holder – set/black	1 piece	0619018155303
19	Cast iron furnace door/black	1 piece	0619018155301
20	Door sealing cord 10 mm	2600 mm	0040300100005
21	Glass sealing cord 10x4 mm	1700 mm	0040210040005
22	Refractory glass (4x370x501)	1 piece	0619018155302

3.3. Detail A2

List of spare parts

GB



Detail A2			
Item	Name	Quantity	Number of goods
A2.1. + 23	Fire-box door lever lock (complete) + handle connecting material – set	1 piece	0434715007320
A2.2.	Closing mechanism drawbar – set	1 piece	0619015005325
A2.3.	Glass holder 1 – set/black	1 piece	0619018155304
A2.4.	Glass holder 2 – set/black	1 piece	0619018165207
20	Door sealing cord 12 mm	2600 mm	0041012120005
21	Glass sealing cord 10x4 mm	1700 mm	0040210040005
22	Refractory glass (4x370x501)	1 piece	0619018155302
24	Glass with printing (4x542x590)	1 piece	0619018155312
25	Glass with printing sealing cord 6 mm	1800 mm	0040406000006
26	Fire-box door (welded part)/black	1 piece	0619018165200

4. Easy control

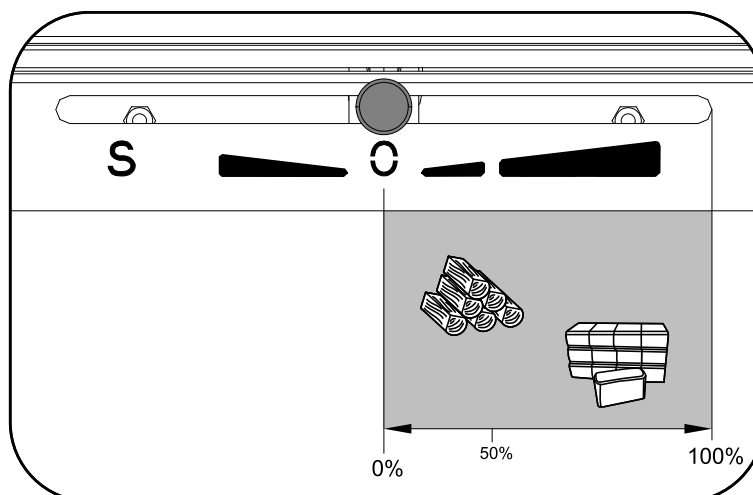
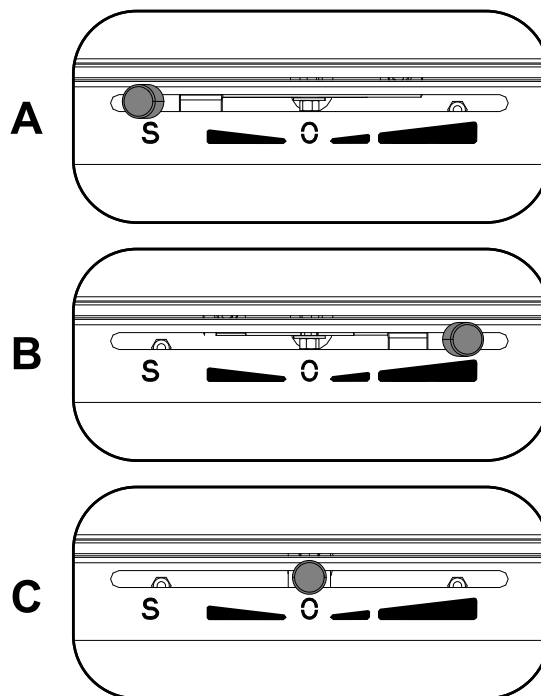
Control of all three air inputs (primary, secondary, tertiary) by means of one sole controller.

1. The controller is in the position intended for ignition (fig. A). All three air inputs are open (primary, secondary, tertiary).
2. The controller is in the position intended for burning of the stove after ignition (fig. B).
3. The controller is in the position designed to close air inputs (Fig. C). No input is open (primary, secondary, tertiary). This position is used only when the stove is out of operation, after finishing the heating process.



WARNING

Air inputs may not be closed during the heating operation (Fig. C)! In an extreme case, there can occur an explosion in the stove followed by breaking of glass, blowing up of cinders across the room and breaking out of the fire.



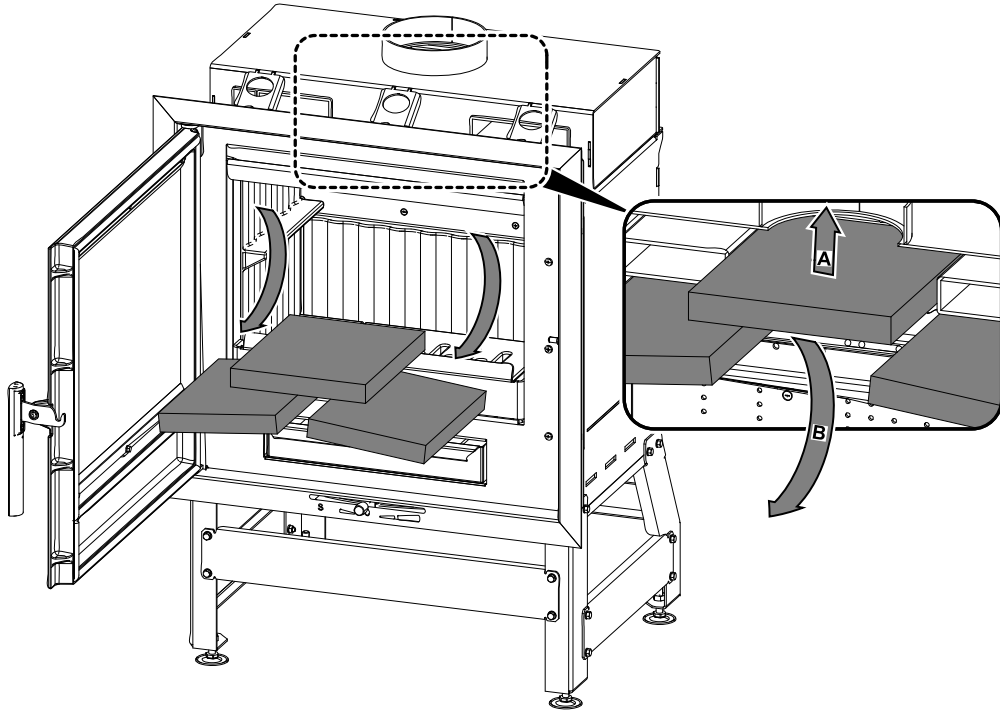
5. Instructions for cleaning of the adapter



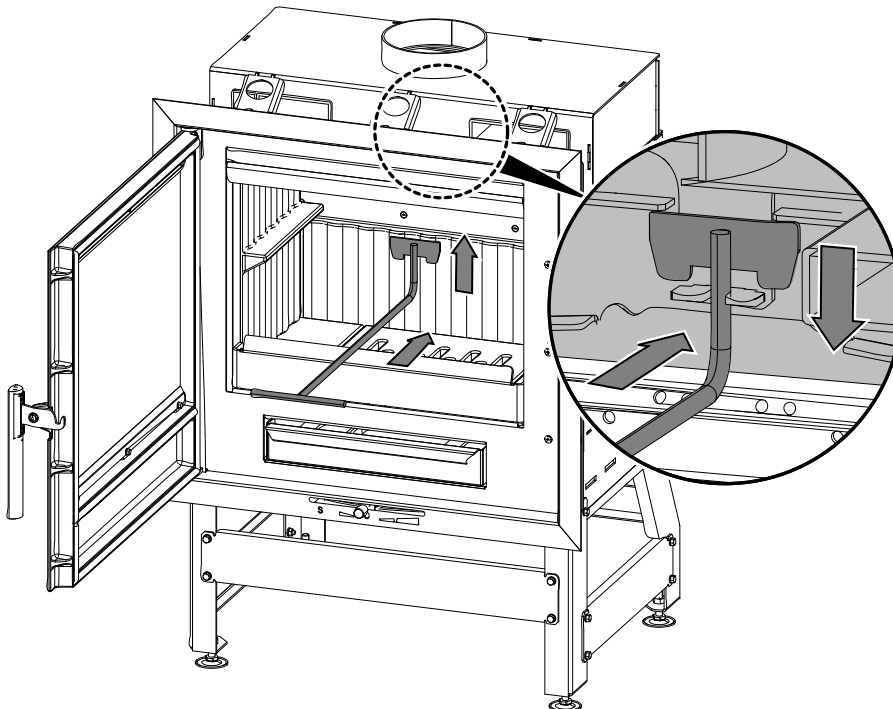
IMPORTANT

It is recommended to clean the surfaces with the drawbar of the cleaning at least once a year (e.g. before the heating season), or even more frequently depending on how often the furnace is used.

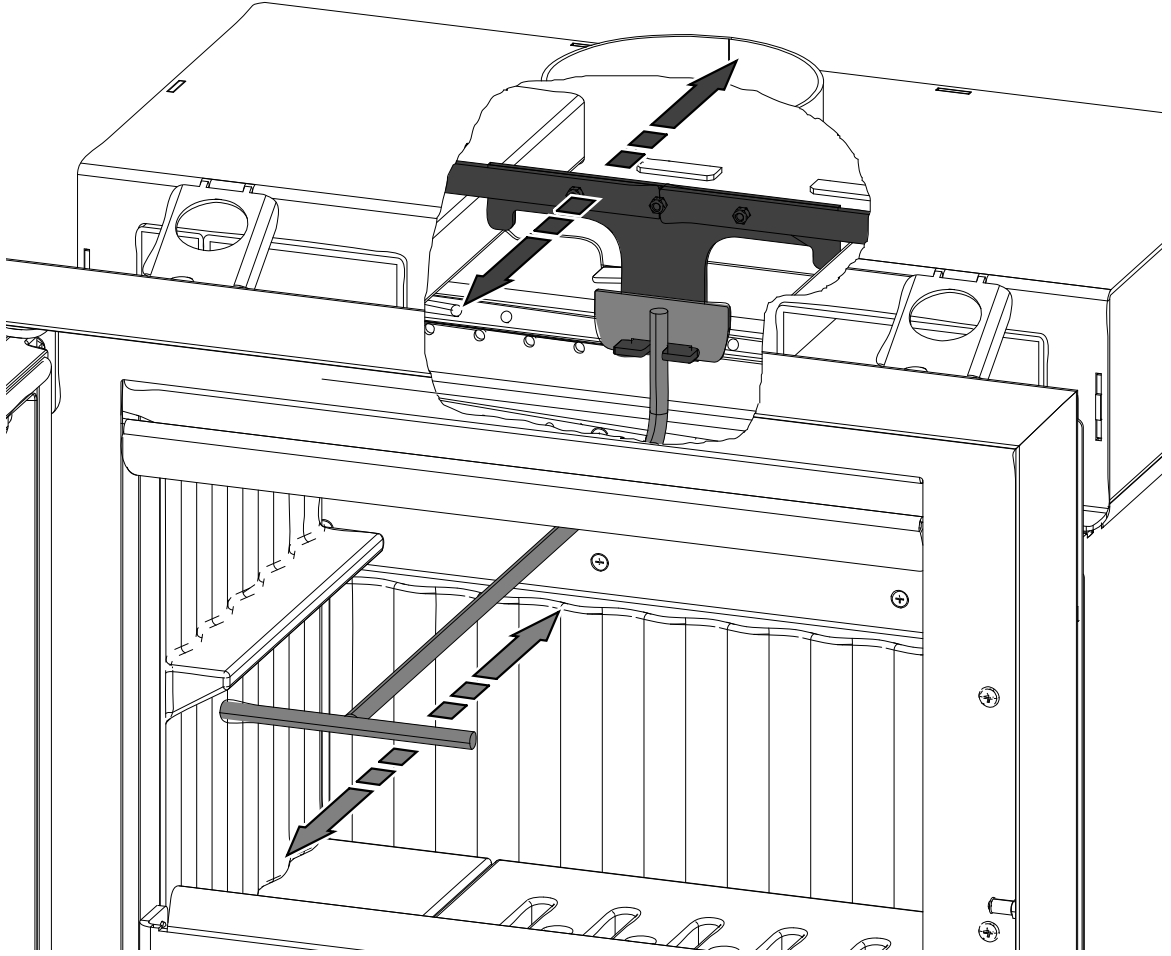
1



2



3



Instructions for cleaning of the adapter

GB



