

HAAS  
+  
SOHN

# Skara

---

**Equipment sheet**  
Fireplace insert

---

**GB**

# Introduction

**We thank you very much for purchasing our product!**

The description of the heating device will inform you in detail about the design, technical specification and operation of the heating device. We recommend you to acquaint yourselves closely with these data. In this way, you will avoid possible faults during the proper assembly and operation.

**You will find** detailed conditions of installation and operation in General Manual of Operation (included in the scope of the delivery).

## Notes in the text

GB



Of utmost importance there are the notes entitled **WARNING**. The notes entitled **WARNING** advise you on **serious danger of damage to the heating device or of an injury**.



The note entitled **Notice** advises you on possible damage to your heating device.



The note entitled **Important** calls your attention to the information important for the operation of your heating device.



The note itself calls your attention to the information important for the operation of your heating device in general.

# Contents

<b>1. Technical data</b> .....	1
1.1. Suitable fuel, stoking amount of fuel .....	1
<b>2. Dimensioned diagram</b> .....	2
2.1. Skara right .....	2
2.2. Skara left .....	3
<b>3. List of spare parts — Skara right</b> .....	4
3.1. Whole emplacement .....	4
3.2. Detail A1 .....	6
<b>4. List of spare parts — Skara left</b> .....	7
4.1. Whole emplacement .....	7
4.2. Detail A1 .....	9
<b>5. Easy control</b> .....	10
<b>6. Change of the external air input</b> .....	11



# 1. Technical data

	<b>Block wood</b>
	<b>Nominal output</b>
Achievable heat output	7 kW
Nominal heat output	6,5 kW
Test conditions defined by norm	EN 13229
Energy efficiency	81,6 %
Average concentration of CO at 13% O <sub>2</sub>	1306 mg/Nm <sup>3</sup>
Average concentration of dust at 13% O <sub>2</sub>	39 mg/Nm <sup>3</sup>
Average concentration of NOx at 13% O <sub>2</sub>	96 mg/Nm <sup>3</sup>
Average concentration of OGC at 13% O <sub>2</sub>	110 mg/Nm <sup>3</sup>
Average concentration of CO at 0% O <sub>2</sub>	916 mg/MJ
Average concentration of dust at 0% O <sub>2</sub>	30 mg/MJ
Average concentration of NOx at 0% O <sub>2</sub>	67 mg/MJ
Average concentration of OGC at 0% O <sub>2</sub>	77 mg/MJ
Amount of combustion products at nominal output	6,7 g/s
Temperature of combustion products in the smoke flue neck	257 °C
Minimum draft of the chimney at nominal heat output	11 Pa

## 1.1. Suitable fuel, stoking amount of fuel

Fuel:	Max. stoking amount of fuel
Block wood:	2 logs (max. 2 kg)
Length of wood logs:	Max. 50 cm



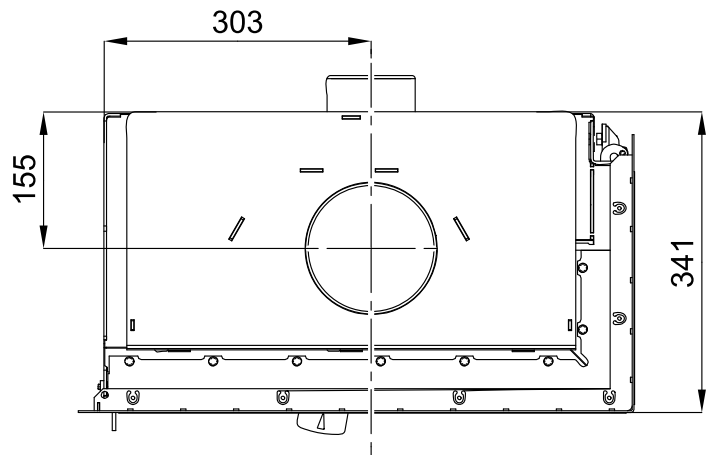
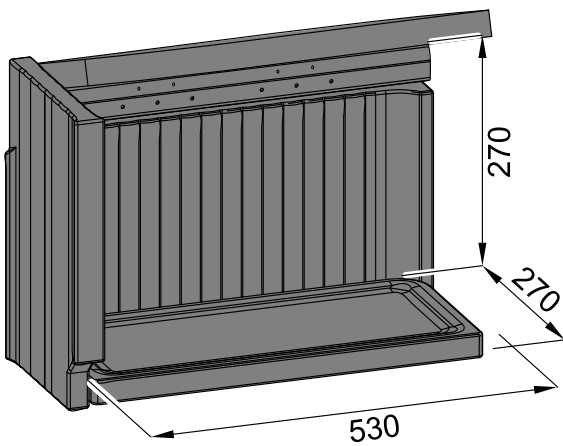
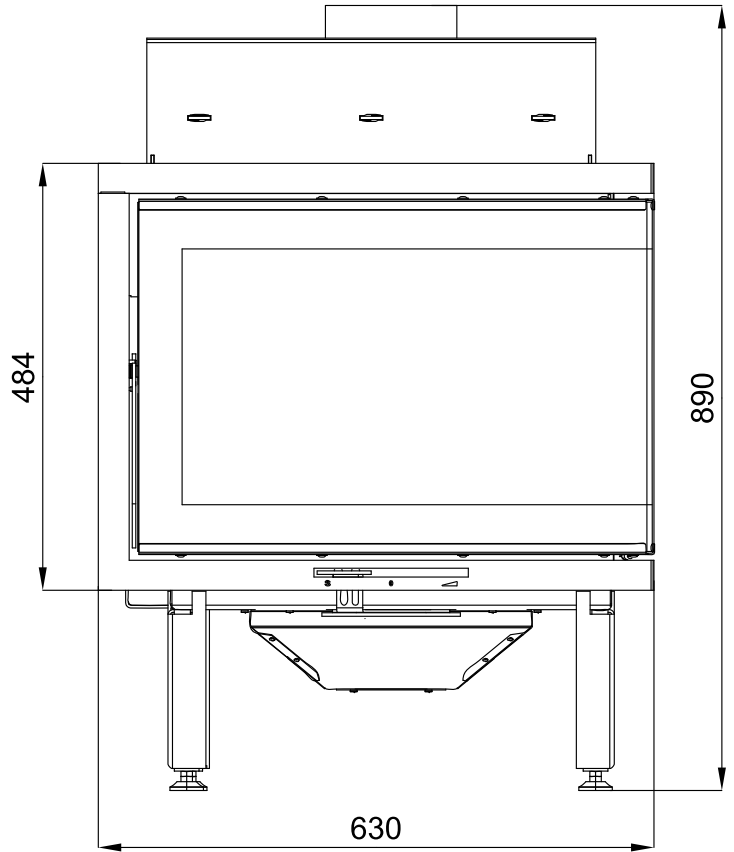
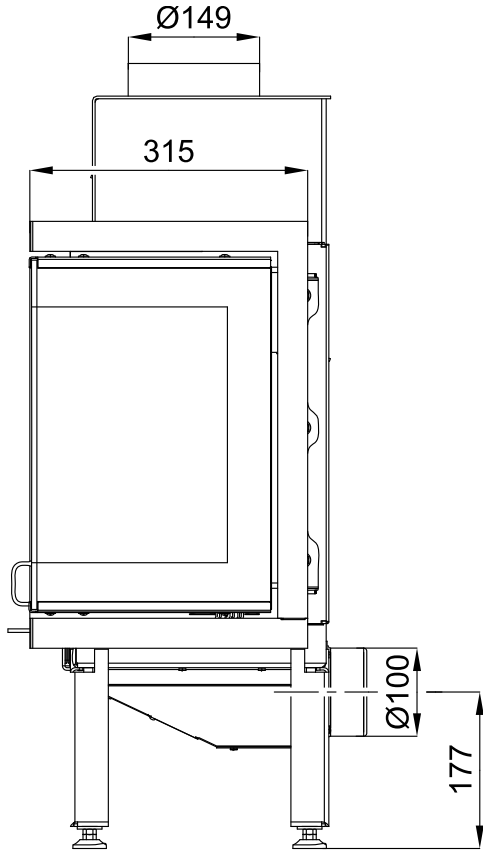
**Note**

When heating with wood stock, employ solely the types of wood which have been stored for two years and their residual humidity is at most 17 %.

# 2. Dimensioned diagram

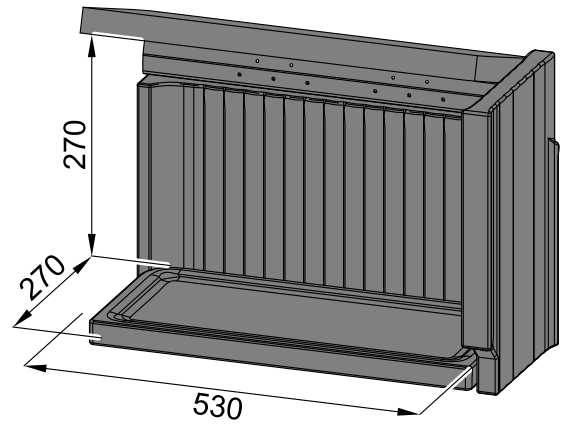
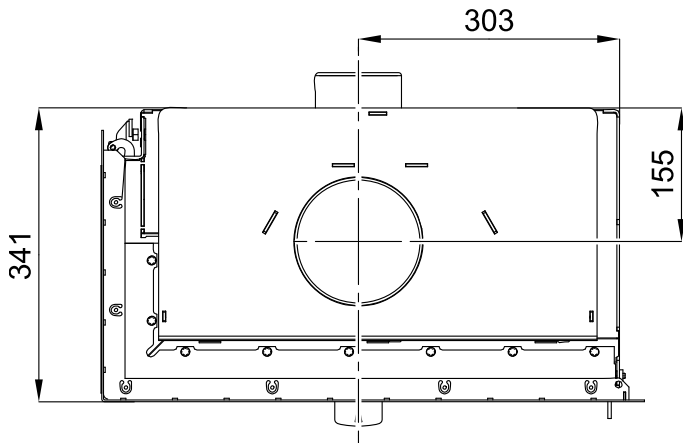
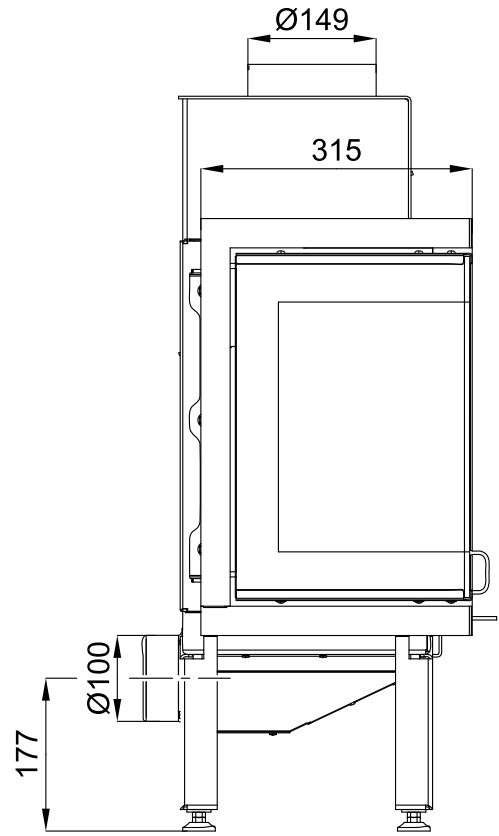
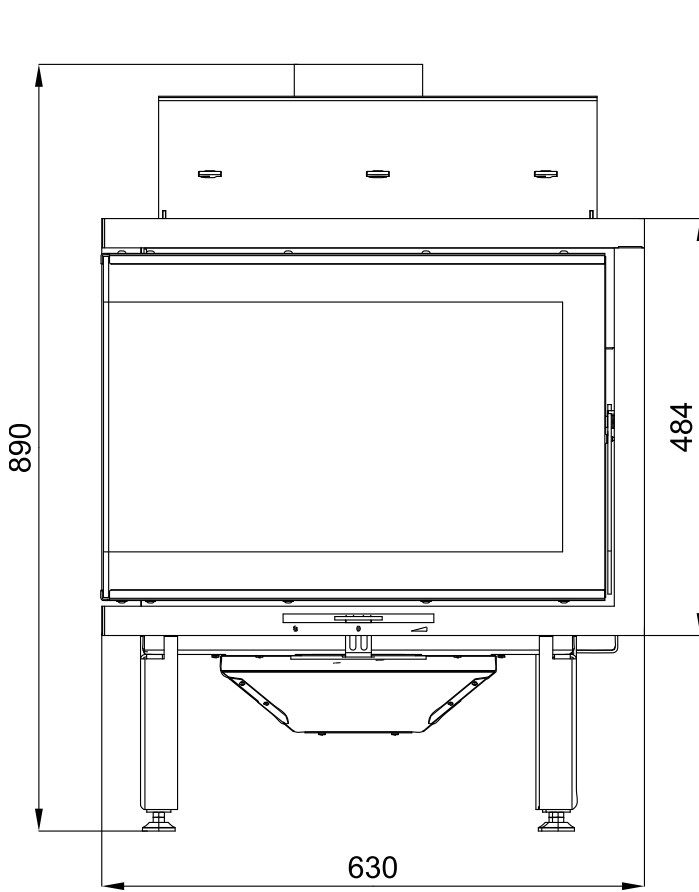
## 2.1. Skara right

Dimensioned diagram



GB

## 2.2. Skara left

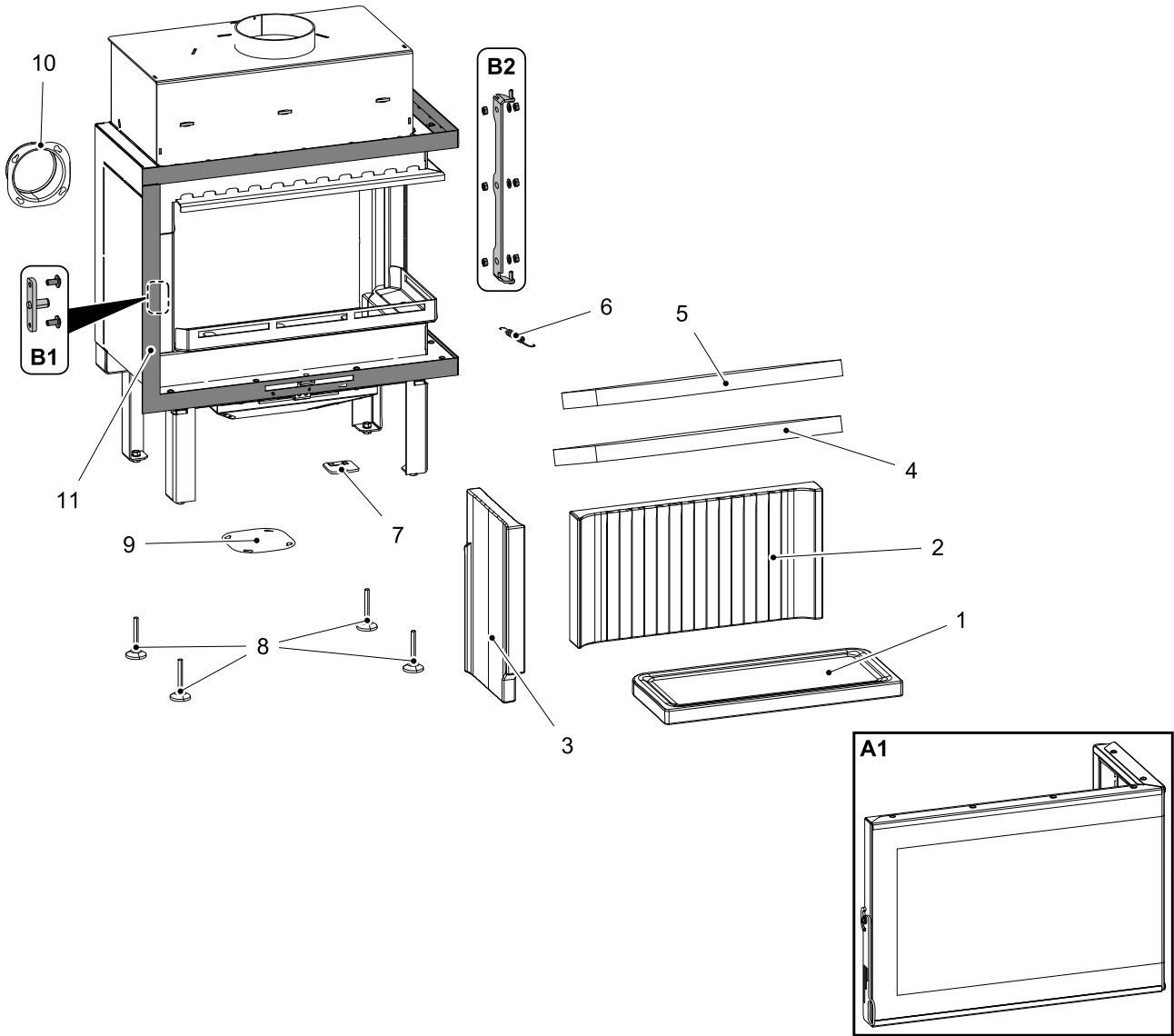


Dimensioned diagram

GB

# 3. List of spare parts — Skara right

## 3.1. Whole emplacement



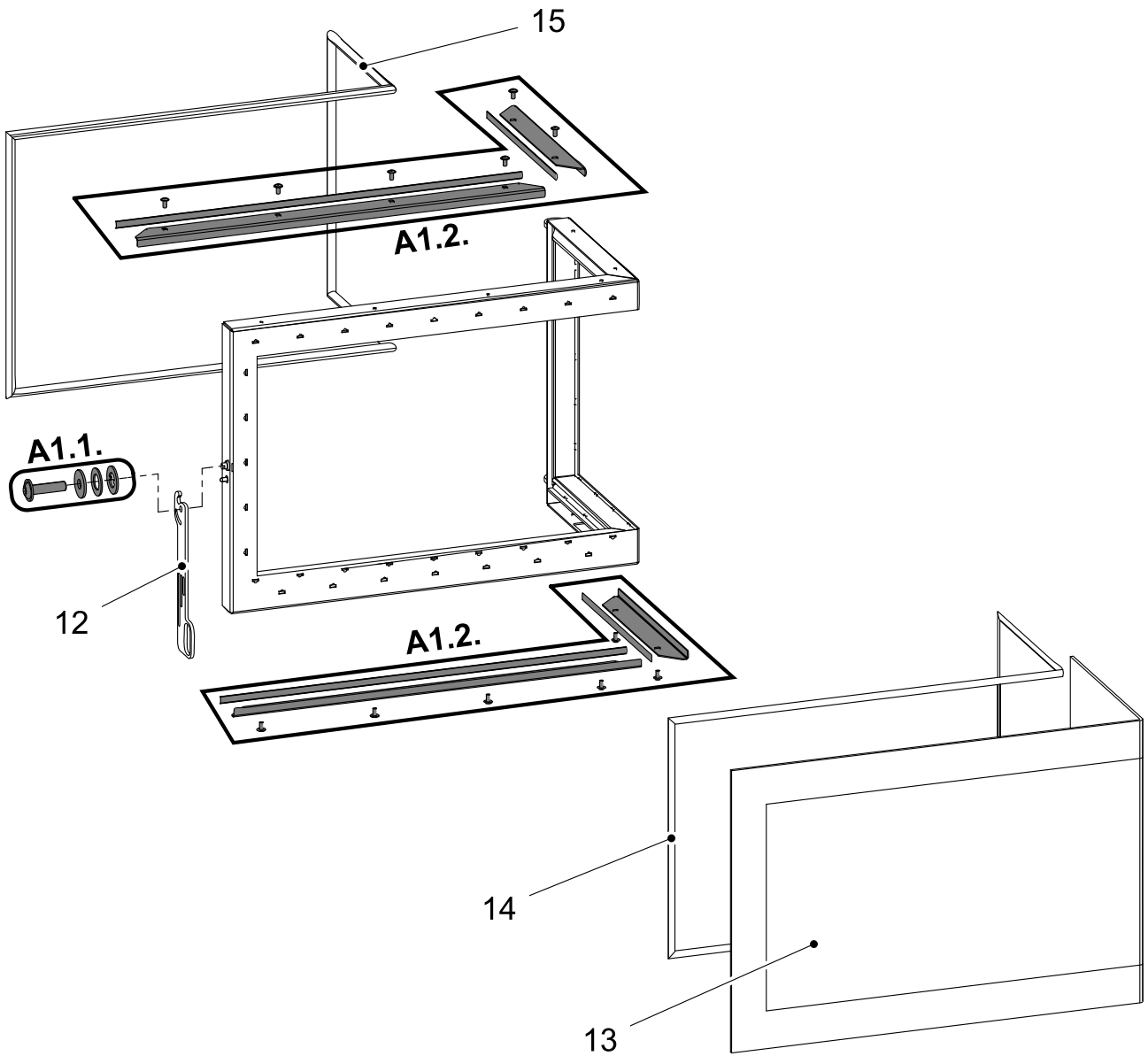
GB

Item	Name	Quantity	Number of goods
<b>Whole emplacement</b>			
<b>A1</b>	Fire-box door (complete)/black	1 piece	0633015205300
<b>B1</b>	Door lock (complete)/black	1 piece	0633015005030
<b>B2</b>	Fire-box door suspension (complete)/black	1 piece	0633015005060
<b>1</b>	Brick 30x213x473	1 piece	0633015005506
<b>2</b>	Brick rear 30x257x487	1 piece	0633015005507



<b>3</b>	Brick side 36,4x231x360	1 piece	0633015005508
<b>4</b>	Screen lower (30x240x488)	1 piece	0633015005501
<b>5</b>	Screen upper (30x195x488)	1 piece	0633015005503
<b>6</b>	Door spring	1 piece	0428612005002
<b>7</b>	Handrail	1 piece	0633015005009
<b>8</b>	Stand	4 piece	0089000020005
<b>9</b>	Blind flange	1 piece	0633015005022
<b>10</b>	External air input (Ø100)	1 piece	0088500050008
<b>11</b>	Frame/black (optional accessory)	1 piece	0633015001300

### 3.2. Detail A1

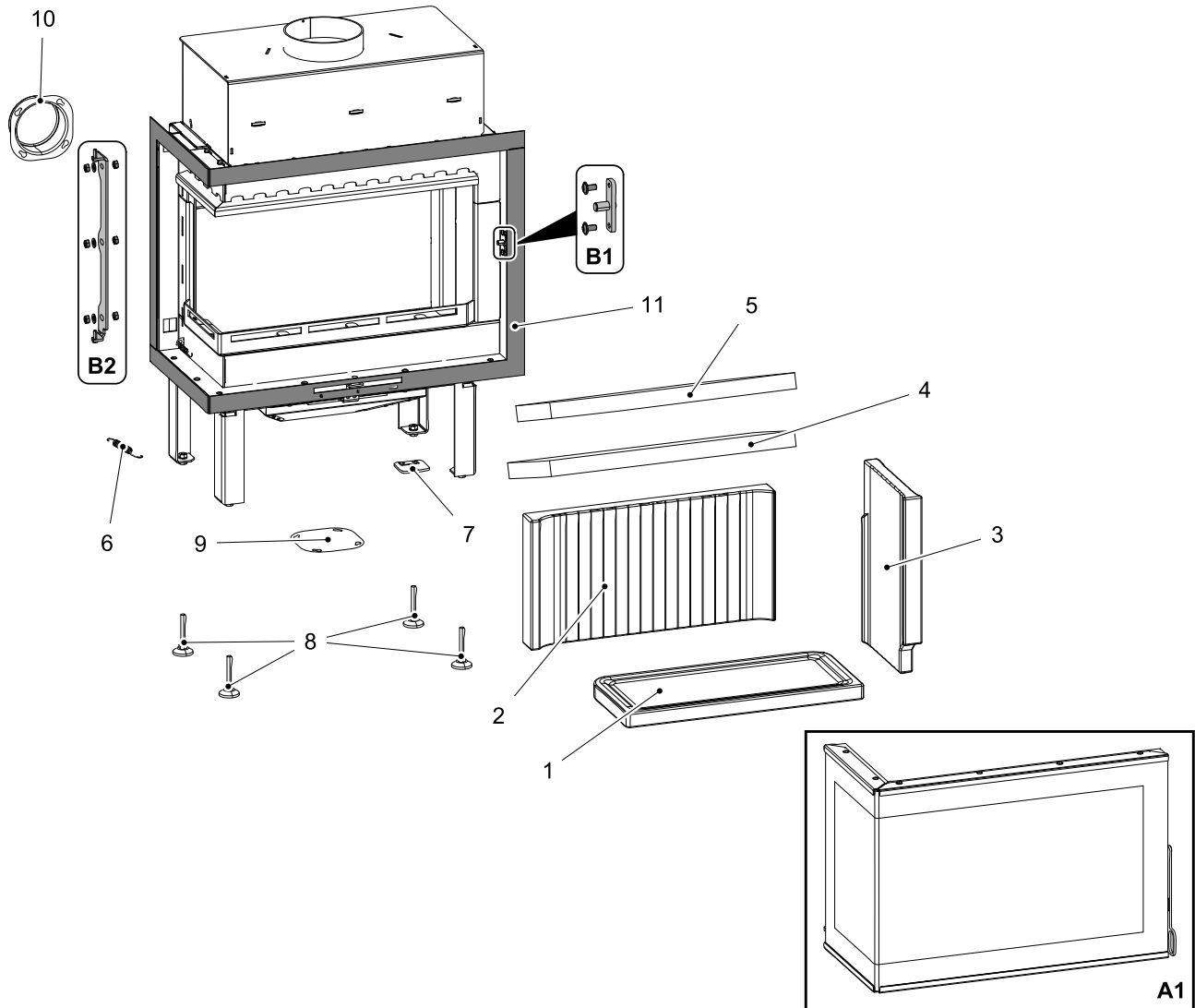


GB

Item	Name	Quantity	Number of goods
<b>Detail A1</b>			
<b>A1.1.</b>	Handle connecting material — set	1 piece	0633015205310
<b>A1.2.</b>	Glass holder — set/black-glossy	2 piece	0633015205315
<b>12</b>	Handle/black-glossy	1 piece	0633015205321
<b>13</b>	Refractory glass (4x582/271x396)	1 piece	0633015205330
<b>14</b>	Glass sealing cord 6 mm	2280 mm	0040406000005
<b>15</b>	Door sealing cord 12 mm	2250 mm	0041012120005

# 4. List of spare parts — Skara left

## 4.1. Whole emplacement

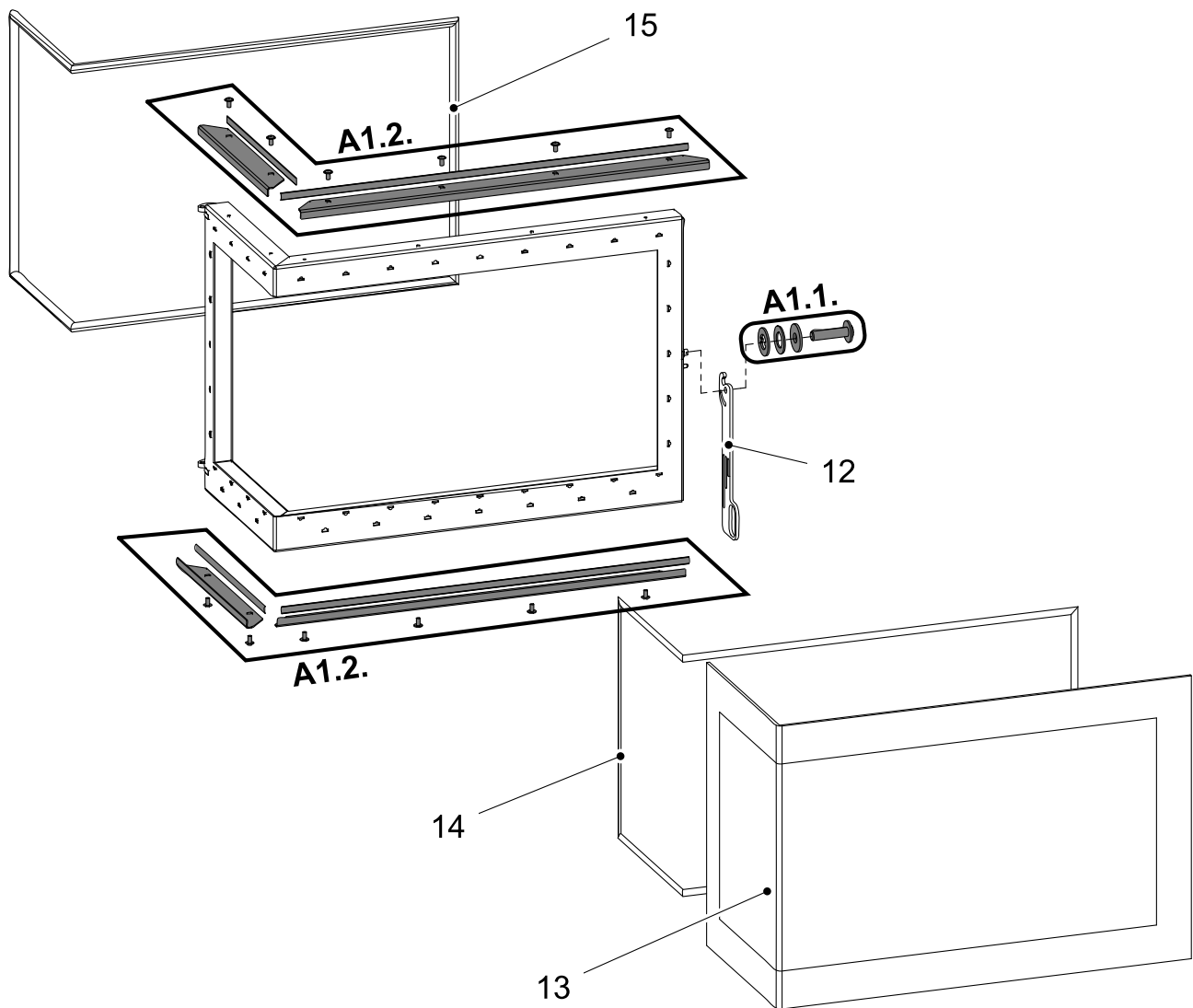


Item	Name	Quantity	Number of goods
<b>Whole emplacement</b>			
<b>A1</b>	Fire-box door (complete)/black	1 piece	0633015305300
<b>B1</b>	Door lock (complete)/black	1 piece	0633015005030
<b>B2</b>	Fire-box door suspension (complete)/black	1 piece	0633015105060
<b>1</b>	Brick 30x213x473	1 piece	0633015005506
<b>2</b>	Brick rear 30x257x487	1 piece	0633015005507
<b>3</b>	Brick side 36,4x231x360	1 piece	0633015005508
<b>4</b>	Screen lower (30x240x488)	1 piece	0633015005501
<b>5</b>	Screen upper (30x195x488)	1 piece	0633015005503

## List of spare parts — Skara left

<b>6</b>	Door spring	1 piece	0428612005002
<b>7</b>	Handrail	1 piece	0633015005009
<b>8</b>	Stand	4 piece	0089000020005
<b>9</b>	Blind flange	1 piece	0633015005022
<b>10</b>	External air input (Ø100)	1 piece	0088500050008
<b>11</b>	Frame/black (optional accessory)	1 piece	0633015101300

## 4.2. Detail A1



Item	Name	Quantity	Number of goods
<b>Detail A1</b>			
<b>A1.1.</b>	Handle connecting material — set	1 piece	0633015205310
<b>A1.2.</b>	Glass holder — set/black-glossy	2 piece	0633015205315
<b>12</b>	Handle/black-glossy	1 piece	0633015205321
<b>13</b>	Refractory glass (4x582/271x396)	1 piece	0633015205330
<b>14</b>	Glass sealing cord 6 mm	2280 mm	0040406000005
<b>15</b>	Door sealing cord 12 mm	2250 mm	0041012120005

# 5. Easy control

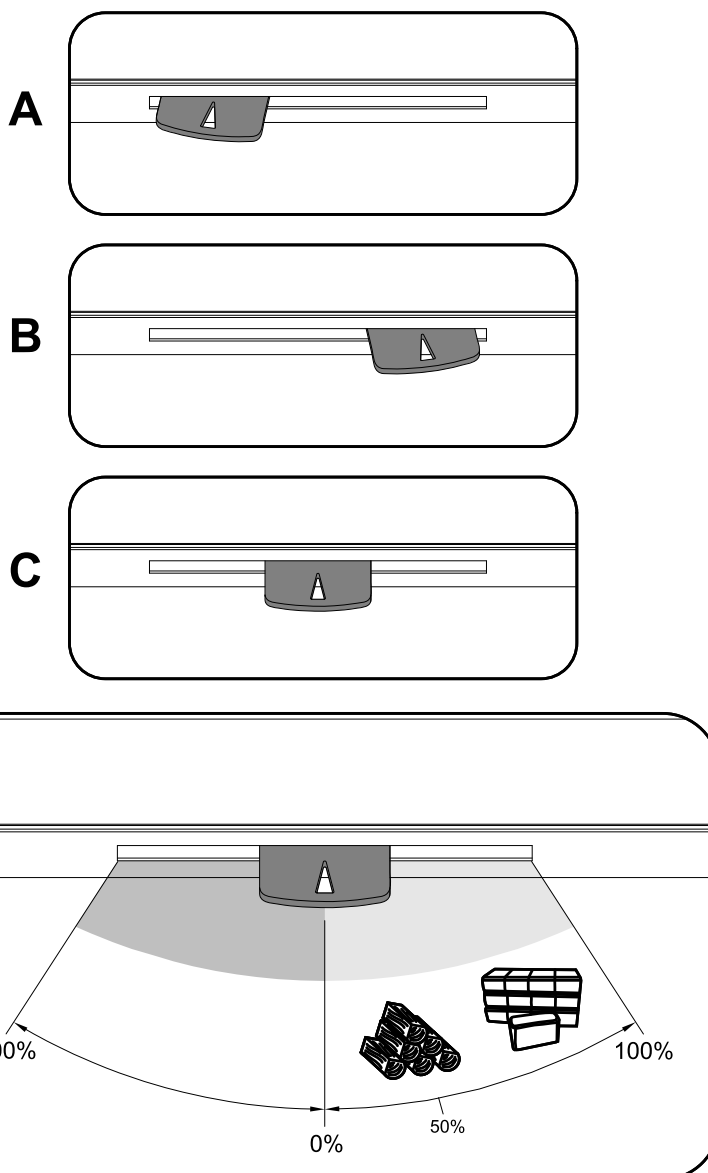
Control of all three air inputs - primary, secondary, tertiary - by means of one sole controller.

1. The controller is in the position intended for ignition (fig. A). All three air inputs are open (primary, secondary, tertiary).
2. The controller is in the position intended for burning of the stove after ignition (fig. B).
3. The controller is in the position designed to close air inputs (Fig. C). No input is open (primary, secondary, tertiary). This position is used only when the stove is out of operation, after finishing the heating process.

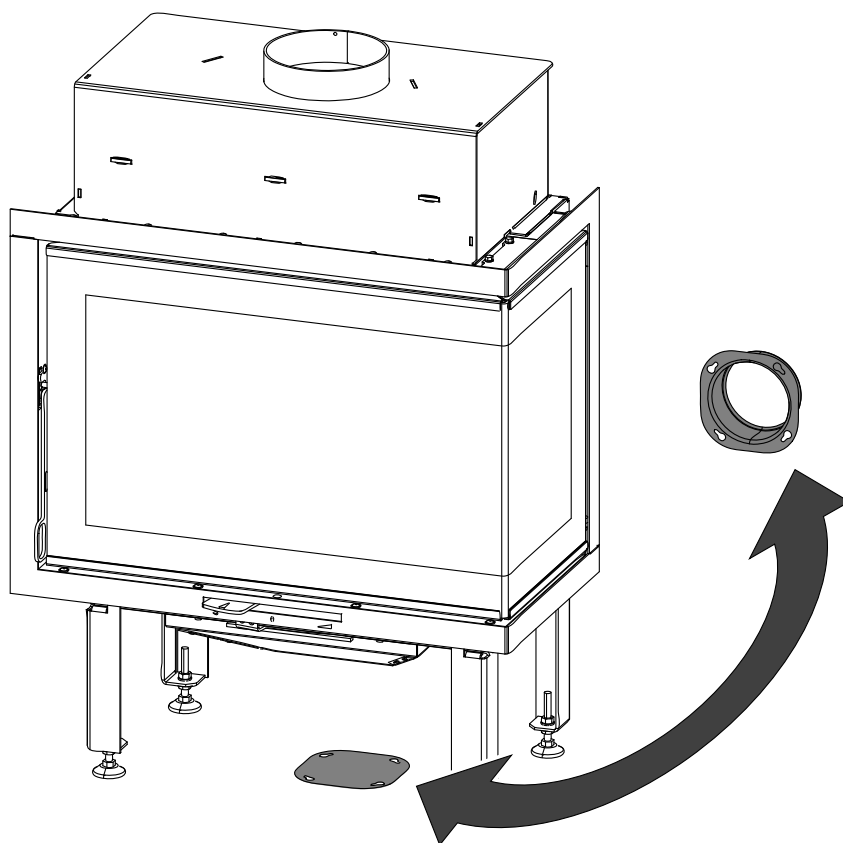
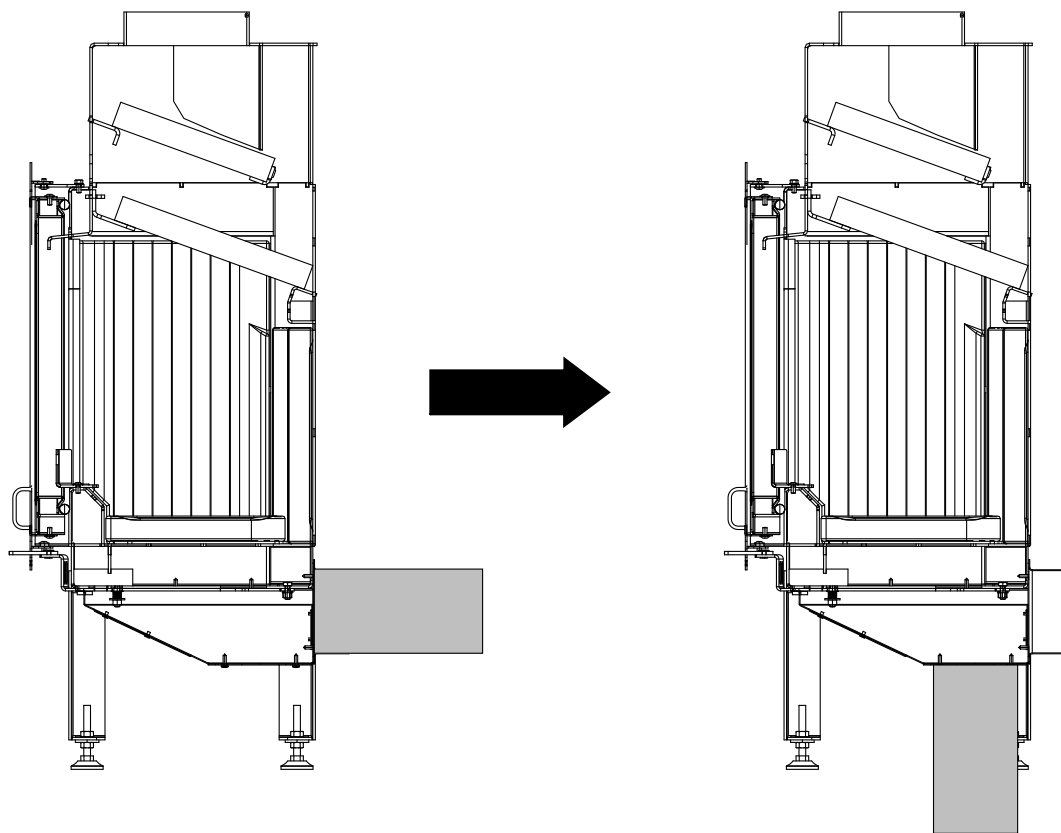


## WARNING

Air inputs may not be closed during the heating operation (Fig. C)! In an extreme case, there can occur an explosion in the stove followed by breaking of glass, blowing up of cinders across the room and breaking out of the fire.



# 6. Change of the external air input



Change of the external air input

GB