



27072010a-GB

HAAS+SOHN

TECHNICAL DOCUMENTATION

Lugano

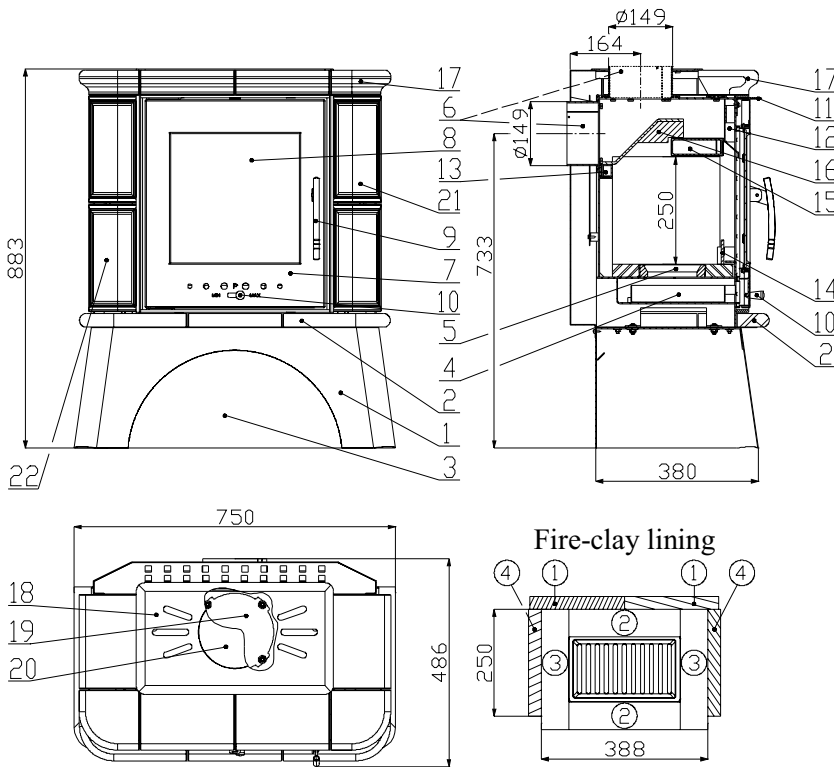




27072010a-GB

HAAS+SOHN

TECHNICAL SHEET
of the fireplace stove
Lugano



Suitable fuel:

As concerns suitable fuel to be employed, see the chapter **2.2 Fuel** in the General Manual of Operation.

Proper operation:

As concerns the proper and safe operation of the fireplace stove, see the chapters **2. Description of the combustion process** and **5. Operating instructions** in the General Manual of Operation.

Fire-clay No.	Dimension	Goods No.
1	30x220x230	0331415005501
2	30x61x260	0331415005502
3	30x64x280	0050101640005
4	30x250x275	0331415005504

TECHNICAL DESCRIPTION:

Position	Name	Goods No.	Position	Name	Goods No.
1	Base	0331415006151	18	Top cover	0331415006155
2	Lower mantelpiece/green	0331415006103	19	Flue gas duct blind flange	0470315007002
2	Lower mantelpiece/beige	0331415016103	20	Blind flange	0331415005060
2	Lower mantelpiece/brown	0331415026103	21	Fireplace tile – side - right/green	0331415006101
3	Fuel bunker	-	21	Fireplace tile – side - right/beige	0331415016101
4	Ash pan	0417015115600	21	Fireplace tile – side - right/brown	0331415026101
5	Cast-iron grate	0020100130005	22	Fireplace tile – side - left/green	0331415106100
6	Smoke flue neck	0470315007007	22	Fireplace tile – side - left/beige	0331415206100
7	Fire-box door	0331415015300	22	Fireplace tile – side - left/brown	0331415306100
8	Refractory glass	0331415005304	23	Rear cover	0331415006130
9	Lever lock of the fire-box door	0081010080005	24	Covering metal sheet	0331415005020
10	Controller of primary air	0082010030005	25	Cover blind flange	0331415005061
11	Controller of secondary air	0331415005009	a	Self-drilling screw M4,8x13 (2 pcs)	0030150480131
12	Intake of secondary air	-	b	Self-drilling screw M4,8x13 (3 pcs)	0030150480131
13	Intake of tertiary air	-	c	Nut M8 (4 pcs)	0032040800005
14	Protection	0331415005008		Body packing cord 10 mm (1930 mm)	0040710100005
15	Lip - fixed	-		Sealing cord of the glass 10 mm (1300 mm)	0040710100005
16	Lip - loose	0331415005700		Flue gas duct packing cord 10x4 mm (600 mm)	0040210040005
17	Upper mantelpiece/green	0331415006102		Glass holder sealing rope 8x2 mm (580 mm)	0040208020005
17	Upper mantelpiece/beige	0331415016102		Sealing cord (Top cover) 8x2 mm (920 mm)	0040208020005
17	Upper mantelpiece/brown	0331415026102			



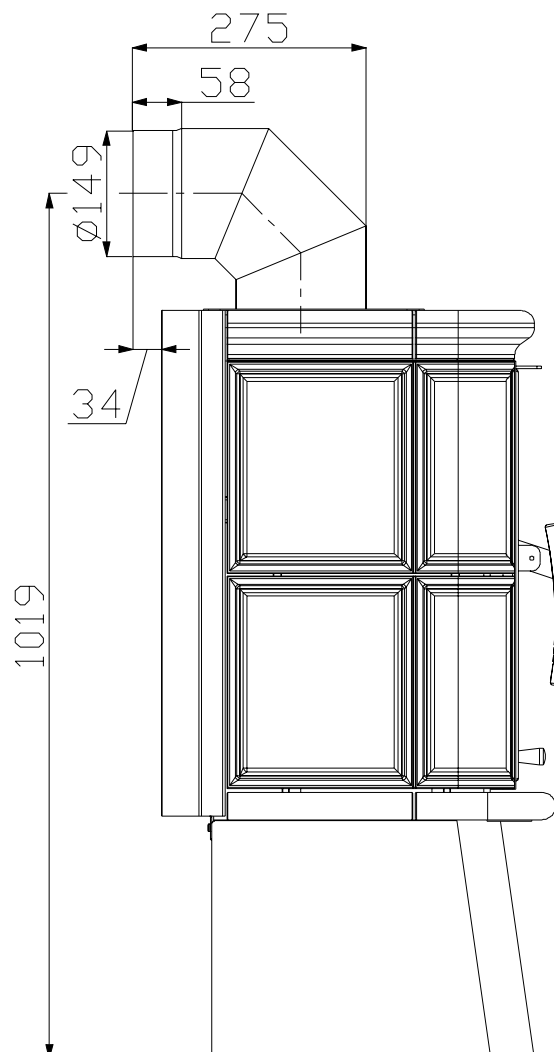
27072010a-GB

HAAS+SOHN**TECHNICAL INFORMATION**

INSTRUCTIONS FOR THE CONTROL OF COMBUSTION PROCESS:								
Fuel	Output of the heating device							
	100%	33%	100%	33%	100%	33%	100%	33%
	Amount of fuel		Primary air		Secondary air		Tertiary air	
Blockwood	2,4 kg/h	0,8 kg/h	closed	closed	open 75%	open 30%	non-controllable	
Ecological briquettes	2,3 kg/h	0,8 kg/h	closed	closed	open 70%	open 30%	non-controllable	
Coal briquettes	1,7 kg/h	0,6 kg/h	open 100%	open 100%	open 50%	open 10%	non-controllable	

TECHNICAL DATA:	Blockwood	Ecological briquettes	Coal briquettes		
Achieved heat output (100%)	8,2 kW	8,1 kW	7,7 kW	Height	883 mm
Nominal heat output	8 kW	8 kW	7,5 kW	Width	750 mm
Reduced heat output (33%)	2,7 kW	2,7 kW	2,5 kW	Depth	486 mm
Maximum stoking amount of the fuel	2,4 kg/h	2,3 kg/h	1,7 kg/h	Diameter of the smoke flue	150 mm
Average temperature of combustion products behind the smoke flue neck	408,5 °C	407,9 °C	396,7 °C	Weight	126 kg
Maximum mass flow of dry combustion products	7,3 g/s	7,3 g/s	9,9 g/s	Min. chimney stack draught in the smoke flue neck	12 Pa
Energy efficiency	78,1 %	78,2 %	69,5 %	Heating capacity (middle heat losses) at 8,2 kW	cca. 148 m ³
Average concentration of CO ₂	9,7 %	9,7 %	6,9 %	Range of outputs	2,5 – 8,2 kW
Concentration of CO in combustion products at 13 % O ₂	0,07 %	0,07 %	0,22 %		
Tested in compliance with ČSN EN 13 240:2002	CE				

**DIMENSIONED DIAGRAM OF THE FIREPLACE STOVE WITH
INSTALLATION OF KNEE-PIECE FOR EXHAUST OF COMBUSTION
PRODUCTS, DELIVERED AS OPTIONAL ACCESSORY**





27072010a-GB

HAAS+SOHN

DRAWING FOR THE CHANGE OF THE FLUE GAS DUCT OUTLET

