



21072010b-GB

HAAS+SOHN

# TECHNICAL DOCUMENTATION

## OPUS



ASSEMBLY AVIGNON

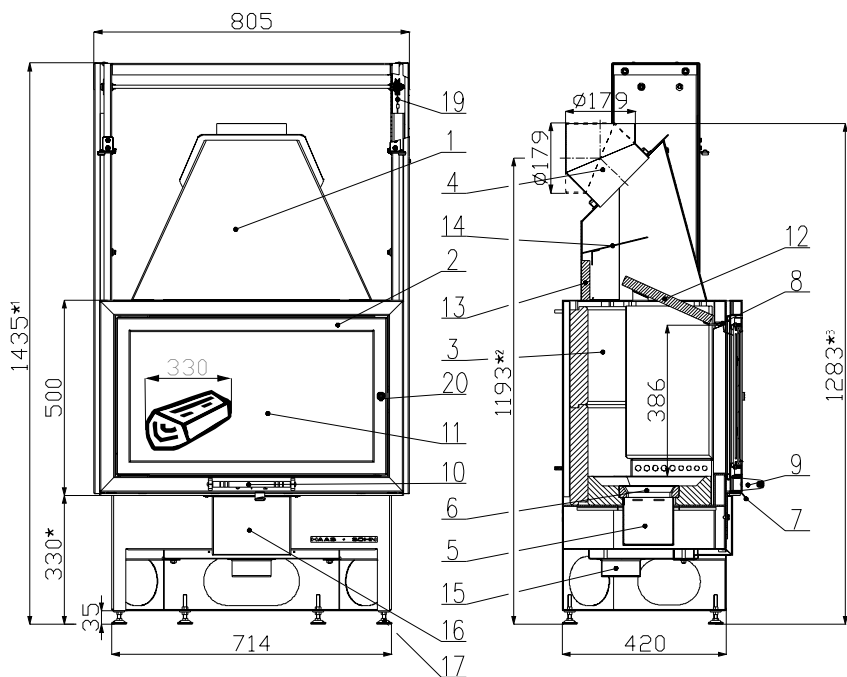




21072010b-GB

**HAAS+SOHN**

**TECHNICAL SHEET**  
for fireplace insert  
**Opus**



**Suitable fuel:**

As concerns suitable fuel to be employed, see the chapter **2.2 Fuel** in the General Manual of Operation.

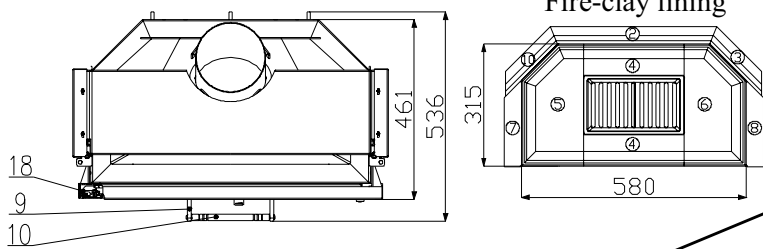
**Proper operation:**

As concerns the proper and safe operation with a fireplace insert, see the chapters **2. Description of the combustion process** and **5. Operating instructions** in the General Manual of Operation.

Fire-clay No.	Dimension	Fire-clay No.	Dimension
10	258x208x45	5	315x160x75
8	394x220,5x45	4	260x90x75
7	394x220,5x45	3	258x208x45
6	315x160x75	2	430x258x45

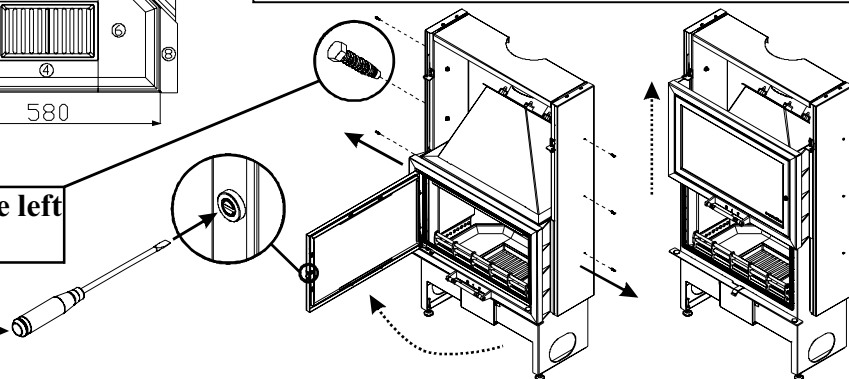
**Warning:** When the **Avignon** fireplace enclosure is used, the dimension is changed to \*380, \*1485, \*1243, \*1333 mm.

Fire-clay lining



**Please, dismantle transport screws on the left and on the right side before use!**

**Screwdriver for the substitute opening of the door is included in delivery.**



**TECHNICAL DESCRIPTION:**

Position	Name	Goods No.	Position	Name	Goods No.
1	Insert body	-			
2	Fire-box door	0618618005300			
3	Fire-clay lining	-			
4	Smoke flue neck (adjustable)	0618018015002			
5	Ash pan	0618018005600			
6	Cast-iron grate	0020100130005			
7	Controller of primary air	-			
8	Intake of secondary air	-			
9	Handrail holder	0618618005325			
10	Handrail	0618618005327			
11	Refractory glass	0618618005304			
12	Lower lip - loose	0050500040005			
13	Rear lip - loose	0050500050005			
14	Upper lip - fixed	-			
15	External intake of air (dia. 100)	0088500050005			
16	Additional suction	0618018035001		Sealing cord of the door 10 mm (2020 mm)	0040710100005
17	Adjustable foot	0089000020005		Sealing cord of the glass 10 mm (2100 mm)	0040710100005
18	Spring of door shutting	0088400060005		Glass holder sealing rope 8x2 mm (1280 mm)	0040208020006
19	Wire	0618618005064		Body packing cord 14 mm (2200 mm)	0040014140005
20	Door opening pivot	0618618005218		Flue gas duct packing cord 10x4 mm (570 mm)	0040210040005
				Weight sealing rope 8x2 mm (1840 mm)	0040208020006

**Special warning!**

In order to ensure the correct functioning of the fireplace insert it is necessary to secure the sufficient supply of air for combustion in the amount of almost 15m<sup>3</sup>/hour. The best way to do it is to connect the branch of the external air supply (pos. 15) from the outdoor space.



21072010b-GB

**HAAS+SOHN**

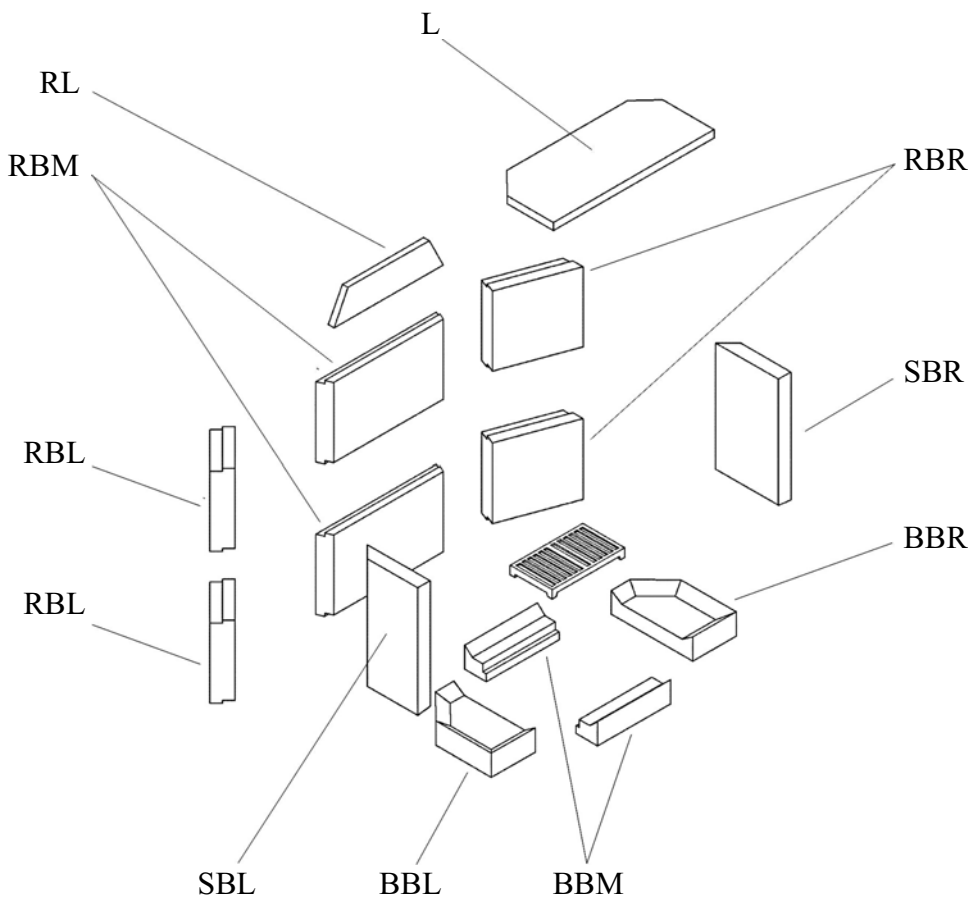
**TECHNICAL INFORMATION**

**INSTRUCTIONS FOR THE CONTROL OF COMBUSTION PROCESS:**

Fuel	Output of the heating device					
	100%	33%	100%	33%	100%	33%
	Amount of fuel		Primary air		Secondary air	
Blockwood	2,5 kg/h	0,8 kg/h	open 100%	open 50%	open 100%	open 100%
Ecological briquettes	2 kg/h	0,7 kg/h	open 100%	open 50%	open 100%	open 100%

TECHNICAL DATA:	Blockwood	Ecological briquettes		
Achieved heat output (100%)	8,8 kW	8,8 kW	Height	1435 mm
Nominal heat output	8 kW	8 kW	Width	805 mm
Reduced heat output (33%)	2,9 kW	2,9 kW	Depth	536 mm
Maximum stoking amount of the fuel	2,5 kg/h	2 kg/h	Diameter of the smoke flue	180 mm
Average temperature of combustion products behind the smoke flue neck	271 °C	295 °C	Weight	195 kg
Maximum mass flow of dry combustion products	8 g/s	8 g/s	Min. chimney stack draught in the smoke flue neck	12 Pa
Energy efficiency	77,7 %	75,2 %	Heating capacity (middle heat losses ) at 8,8 kW	cca. 160 m <sup>3</sup>
Average concentration of CO <sub>2</sub>	10 %	9,5 %	Range of outputs	2,9 – 8,8 kW
Concentration of CO in combustion products at 13 % CO <sub>2</sub>	0,12 %	0,08 %		
Tested in compliance with ČSN EN 13229:2002			<b>CE</b>	

**INSTALLATION OF HEARTH LINING**



**Composition of fireclay bricks**

Fire-clay No.	Type	Number	Goods No.	Fire-clay No.	Type	Number	Goods No.
5	BBL (Bottom brick, left)	1	0050110490005	2	RBM (Rear brick, middle)	2	0050110060005
6	BBR (Bottom brick, right)	1	0050110500005	3	RBR (Rear brick, right)	2	0050110070005
4	BBM (Bottom brick, middle)	2	0050110480005	10	RBL (Rear brick, left)	2	0050110140005
8	SBR (Side brick, right)	1	0050110120005	-	RL (rear lip)	1	0050500050005
7	SBL (Side brick, left)	1	0050110110005	-	L (lip)	1	0050500040005