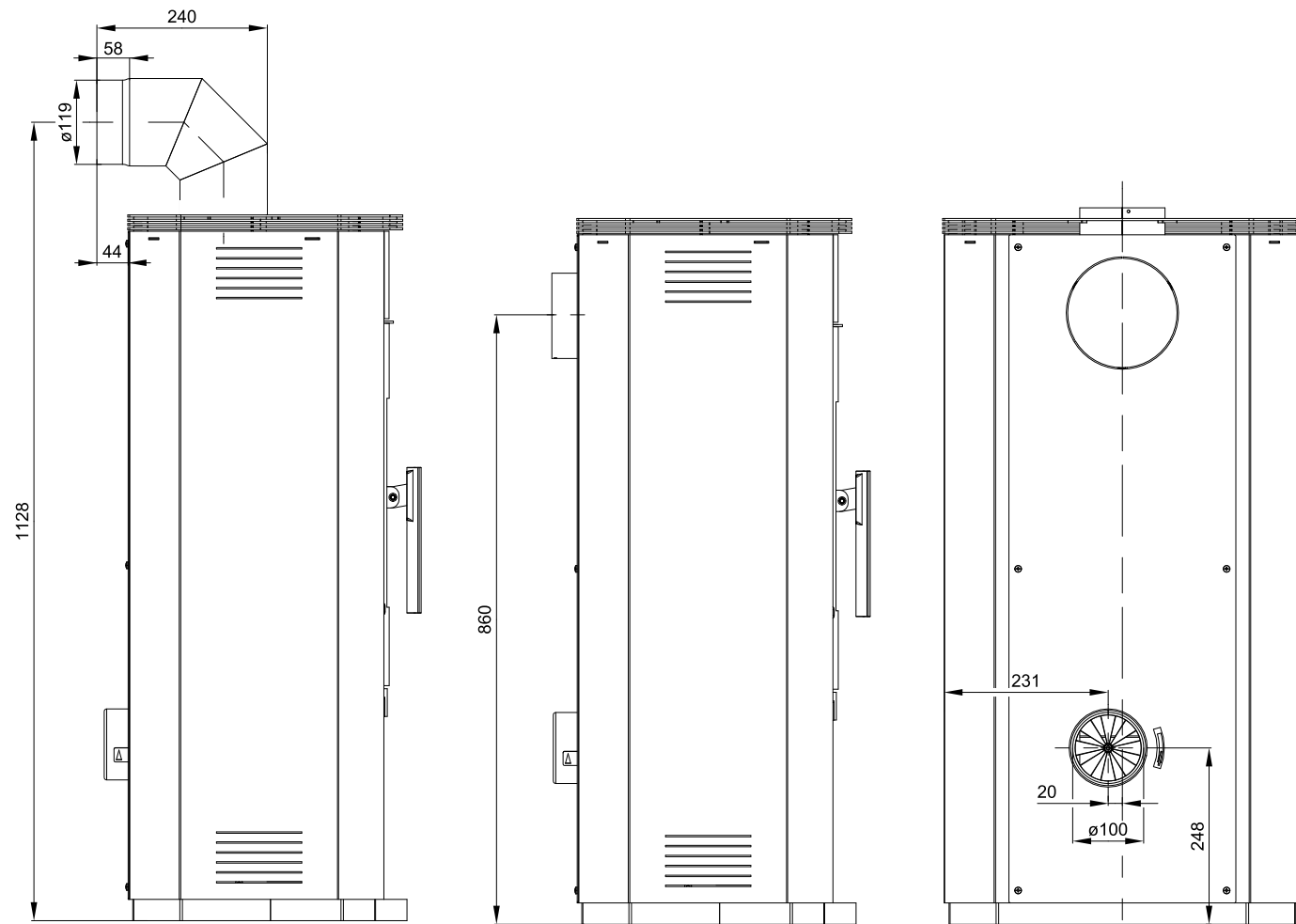




**DIMENSIONED DIAGRAM OF THE FIREPLACE STOVE WITH INSTALLATION OF KNEE-PIECE FOR EXHAUST OF COMBUSTION PRODUCTS, DELIVERED AS OPTIONAL ACCESSORY**



**TECHNICAL SHEET of the fireplace stove**  
**Salerno**



**Suitable fuel:**

As concerns suitable fuel to be employed, see the chapter **2.2 Fuel** in the General Manual of Operation.

**Proper operation:**

As concerns the proper and safe operation of the fireplace stove, see the chapters **2. Description of the combustion process** and **5. Operating instructions** in the General Manual of Operation.

**INSTRUCTIONS FOR THE CONTROL OF COMBUSTION PROCESS:**

Fuel	Output of the heating device							
	100%		33%		100%		33%	
	Amount of fuel		Primary air		Secondary air		Tertiary air	
Blockwood	1,1 kg/h	0,4 kg/h	closed	closed	open 100%	open 50%	non-controllable	
Ecological briquettes	1,1 kg/h	0,4 kg/h	closed	closed	open 100%	open 50%	non-controllable	

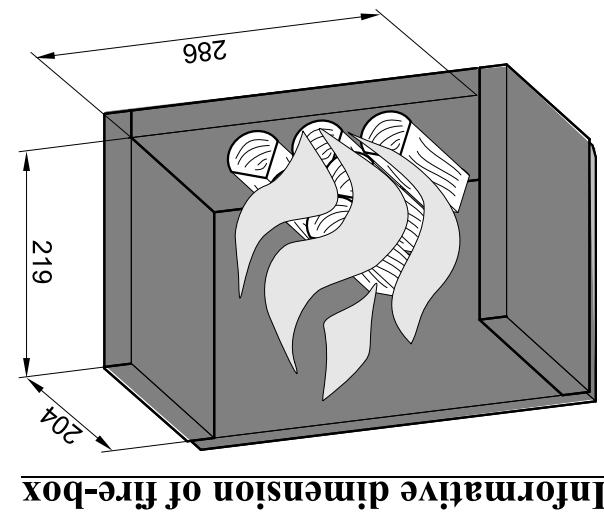
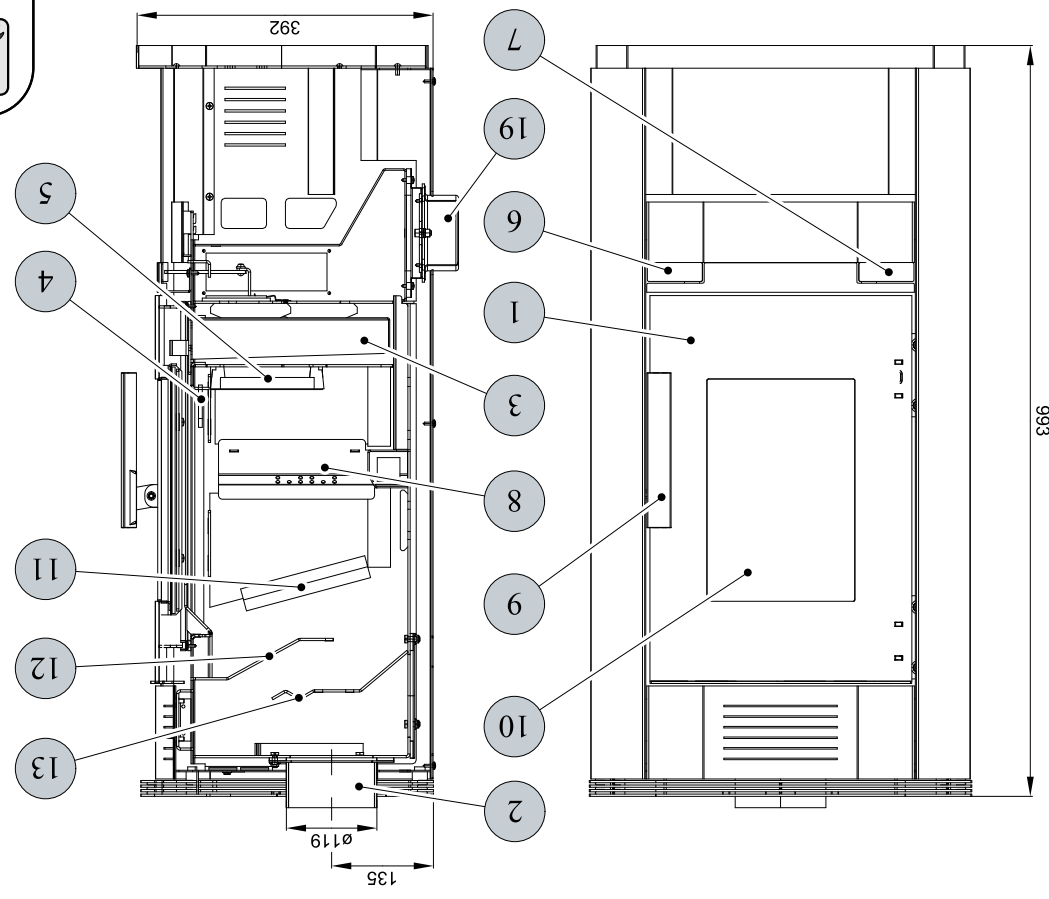
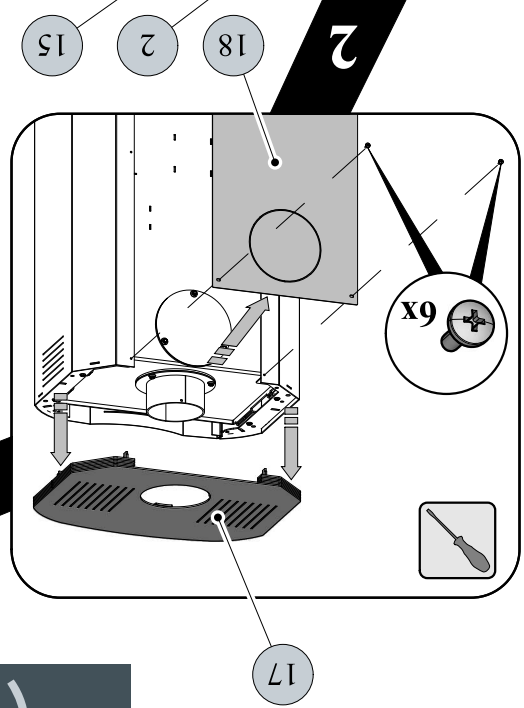
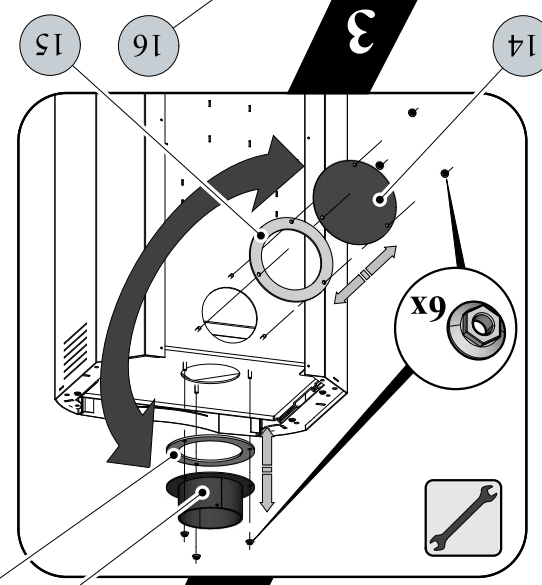
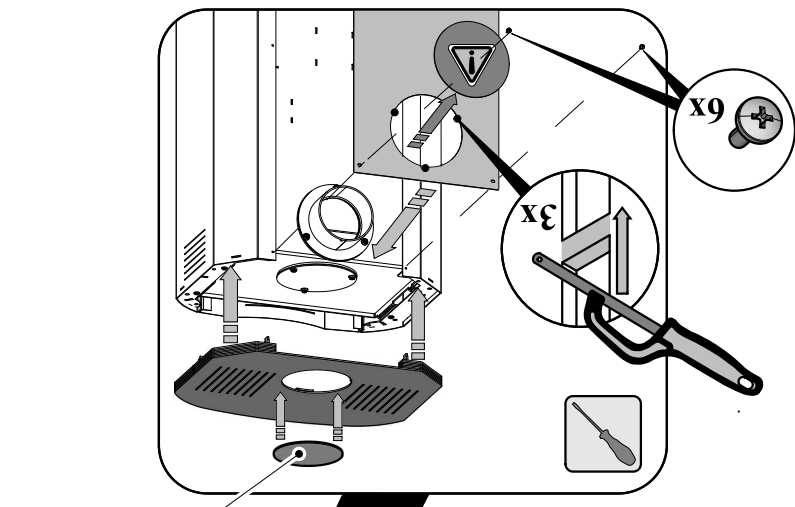
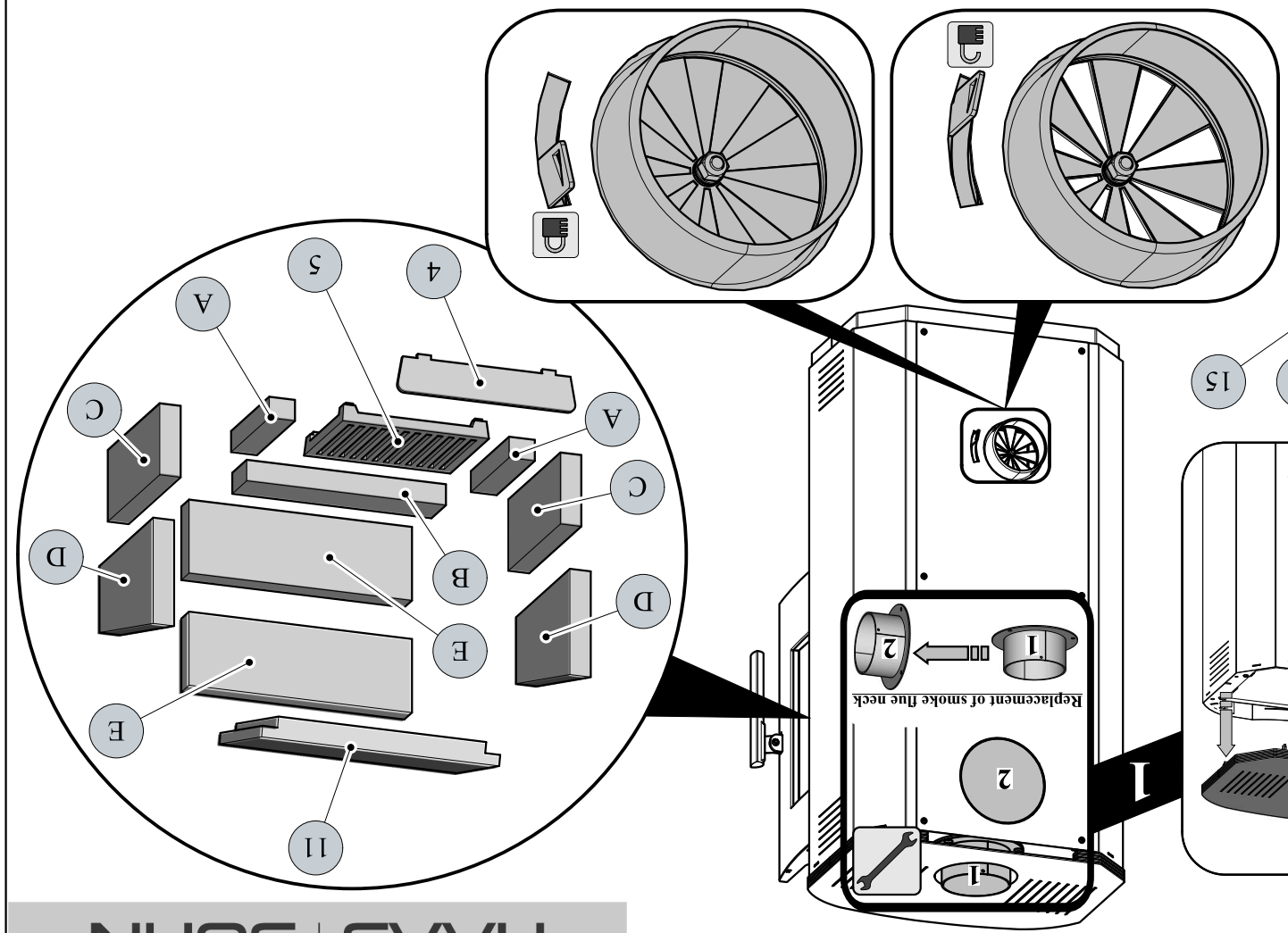
TECHNICAL DATA:	Blockwood	Ecological briquettes		
Achieved heat output (100%)	4,4 kW	4,3 kW	Height	993 mm
Nominal heat output	4 kW	4 kW	Width	506 mm
Reduced heat output (33%)	1,5 kW	1,4 kW	Depth	392 mm
Maximum stoking amount of the fuel	1,1 kg/h	1,1 kg/h	Diameter of the smoke flue	120 mm
Average temperature of combustion products behind the smoke flue neck	245 °C	280 °C	Weight	95 kg
Maximum mass flow of dry combustion products	3,6 g/s	3,5 g/s	Min. chimney stack draught in the smoke flue neck	12 Pa
Energy efficiency	83,6 %	84,2 %	Heating capacity (middle heat losses ) at 4,4 kW	cca. 79 m <sup>3</sup>
Average concentration of CO <sub>2</sub>	10,1 %	10,7 %	Range of outputs	1,5 – 4,4 kW
Concentration of CO in combustion products at 13 % O <sub>2</sub>	0,09 %	0,1 %		

Tested in compliance with DIN EN 13240:2001+A2:2007



Position	Goods No.	Name	Position	Goods No.	Name
1	0420114005300	Fire-box door/Light gray colour	A	0420114005300	Fire-clay brick 30x37x148
1	0420114025300	Fire-box door/Silver colour	B	0420114025300	Fire-clay brick 30x56x286
2	0420114005060	Smoke flue neck/Anthracite colour	C	0420114005060	Fire-clay brick 30x102x202
3	0420114005600	Ash pan/Anthracite colour	D	0420114005600	Fire-clay brick 30x151x209
4	0420114005067	Protection/Anthracite colour	E	0420114005067	Fire-clay brick 30x105x320
5	0020100080005	Cast-iron grate/Anthracite colour			
6	0420114015095	Controller of primary air/chromium-plated			
7	0420114015095	Controller of secondary air/chromium-plated			
8	-	Outlet of tertiary air			
9	0331815005413	Lever lock of the fire-box door/chromium-plated			
10	0530217105301	Refractory glass (216x326)			
11	0420114005511	Lower lip - loose (30x170x341)			
12	-	Middle lip - fixed			
13	-	Upper lip - fixed			
14	0420114005062	Flue gas duct blind flange			
15	0420114005077	Sealing (Isoglas)			
16	0420114005050	Upper blind flange			
17	0420114005800	Lid			
18	0420114005075	Rear cover			
19	-	External intake of air (dia. 100)			
					Sealing cord of the door 14 mm (1540 mm) 0040014140005
					Sealing cord of the glass 25x3 mm (1020 mm) 0040225030005
					Glass holder sealing rope 8x2 mm (640 mm) 0040208020006

TECHNICAL DESCRIPTION:



Informative dimension of fire-box

